

los 800 x 500mm Towel Rail (Heating Only) IO080050CP



Specification

Finish	Chrome
Dimensions	800(h) x 500(w) x 94(d) mm
Weight	6.25kg
BTU Output/Hr	645
Watts @ Δ T50°C	189
Bars	9
Pipe Centres	468mm
Electric Element Wattage	-
Face to Face Connections	-
Air Vent Position	-
Material	Mild Steel

All heat outputs are shown at 50°C Δ t in compliance with BSEN442. Watts and Btu's apply to Heating and Dual Fuel only.

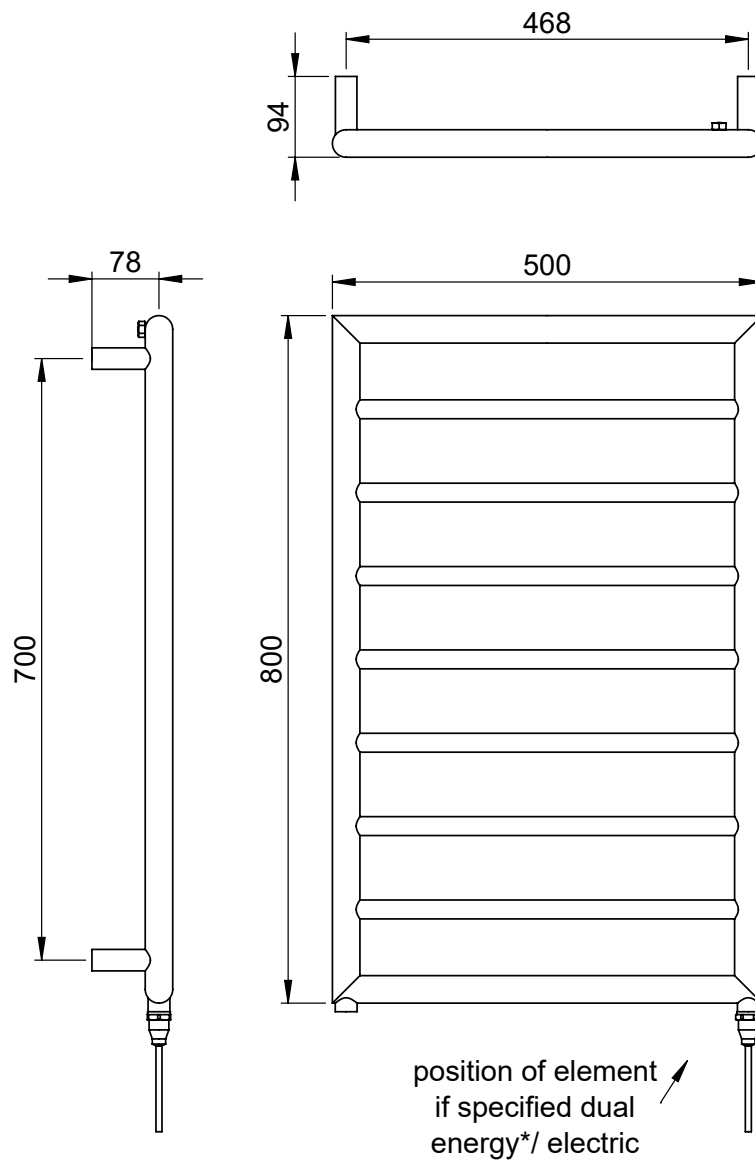
Key Features + Benefits



Certifications + Approvals

Technical Data Sheet | Designer Towel Rails

los 800 x 500mm Towel Rail (Heating Only) IO080050CP



*Dual energy models require a conversion-tee, consult relevant drawing for details.