

los 800 x 400mm Towel Rail (Heating Only) IO080040CP



Specification

Finish	Chrome
Dimensions	800(h) x 400(w) x 94(d) mm
Weight	5.4kg
BTU Output/Hr	556
Watts @ Δ T50°C	163
Bars	9
Pipe Centres	368mm
Electric Element Wattage	–
Face to Face Connections	–
Air Vent Position	–
Material	Mild Steel

All heat outputs are shown at 50°C Δ t in compliance with BSEN442. Watts and Btu's apply to Heating and Dual Fuel only.

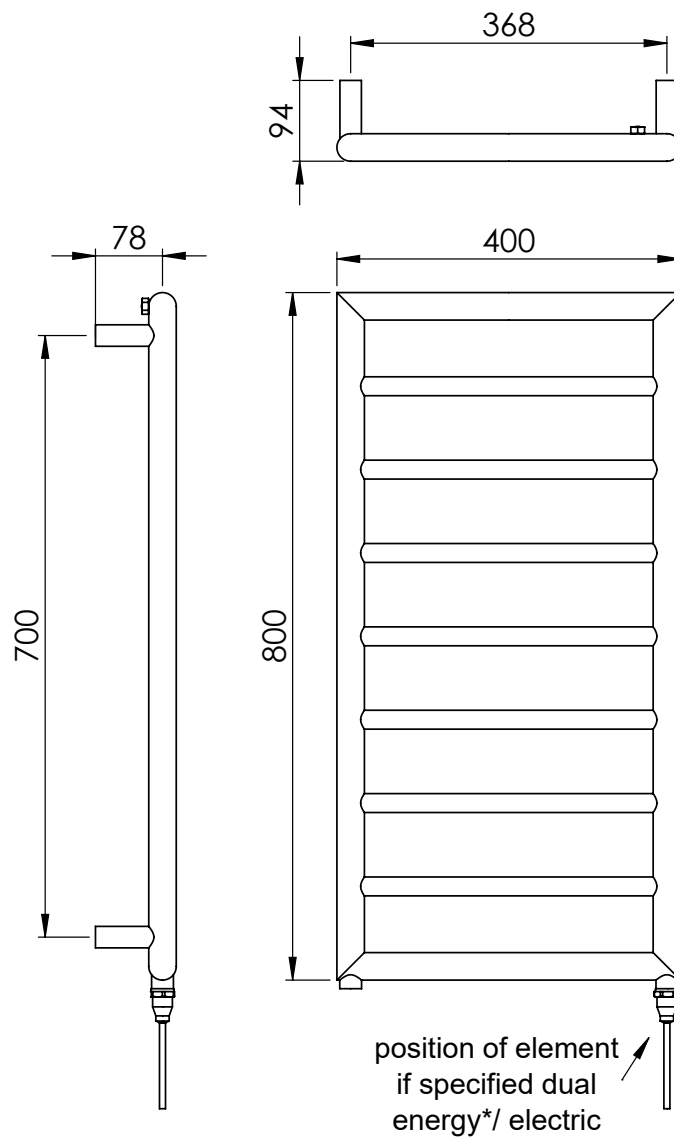
Key Features + Benefits



Certifications + Approvals

Technical Data Sheet | Designer Towel Rails

ios 800 x 400mm Towel Rail (Heating Only) IO080040CP



*Dual energy models require a conversion-tee, consult relevant drawing for details.