

ios 800 x 400mm Towel Rail (Dual Fuel) IO080040CP-HE



Specification

Finish	Chrome
Dimensions	800(h) x 400(w) x 94(d) mm
Weight	5.4kg
BTU Output/Hr	556
Watts @ Δ T50°C	163
Bars	9
Pipe Centres	368mm
Electric Element Wattage	125
Face to Face Connections	-
Radiator Columns	-
Material	Mild Steel

All heat outputs are shown at 50°C Δ t in compliance with BSEN442. Watts and Btu's apply to Heating and Dual Fuel only.

Key Features + Benefits



15
Years
Guarantee

MS
Mild
Steel

Certifications + Approvals

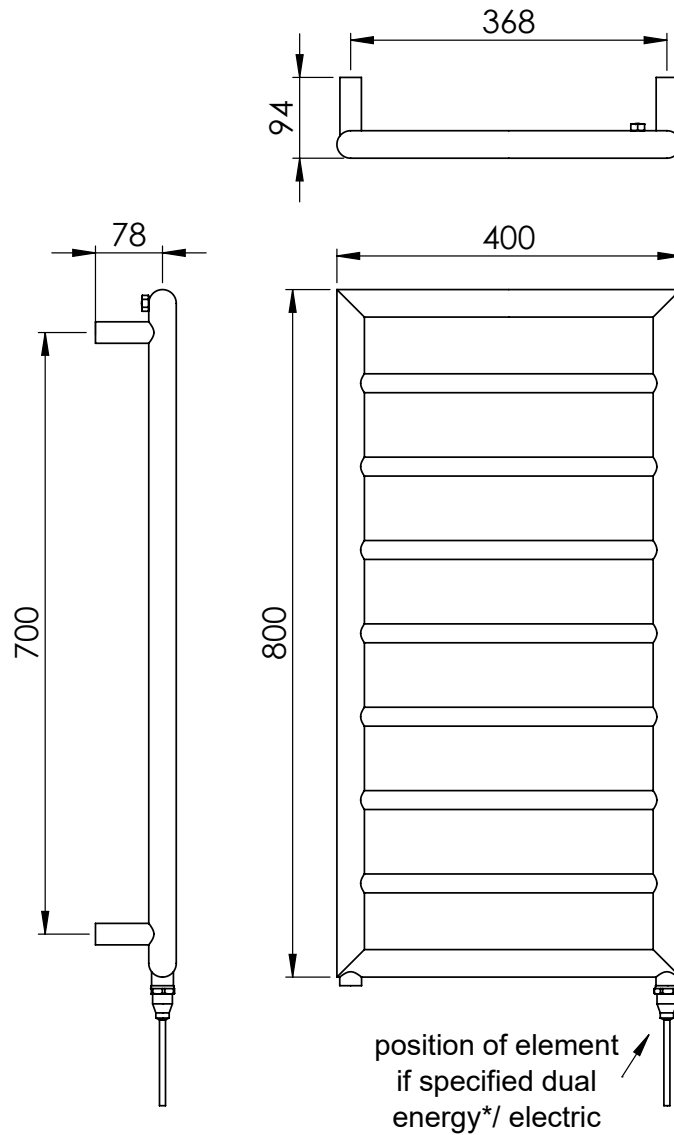
Vogue (UK) Ltd

Strawberry Lane, Willenhall, West Midlands, WV13 3RS. Technical Support – Tel: +44(0) 1902 387000 Email: sales@vogueuk.co.uk

All information on the data sheet is correct at the time of publication. All measurements are approximate and subject to standard tolerances.

Technical Data Sheet | Designer Towel Rails

ios 800 x 400mm Towel Rail (Dual Fuel) IO080040CP-HE



*Dual energy models require a conversion-tee, consult relevant drawing for details.