

### los 800 x 400mm Towel Rail (Electric Only) IO080040CP-E



#### Specification

Finish	Chrome
Dimensions	800(h) x 400(w) x 94(d) mm
Weight	9kg
BTU Output/Hr	-
Watts @ $\Delta$ T50°C	-
Bars	9
Pipe Centres	368mm
Electric Element Wattage	125
Face to Face Connections	-
Radiator Columns	-
Material	Mild Steel

All heat outputs are shown at 50°C  $\Delta$ t in compliance with BSEN442. Watts and Btu's apply to Heating and Dual Fuel only.

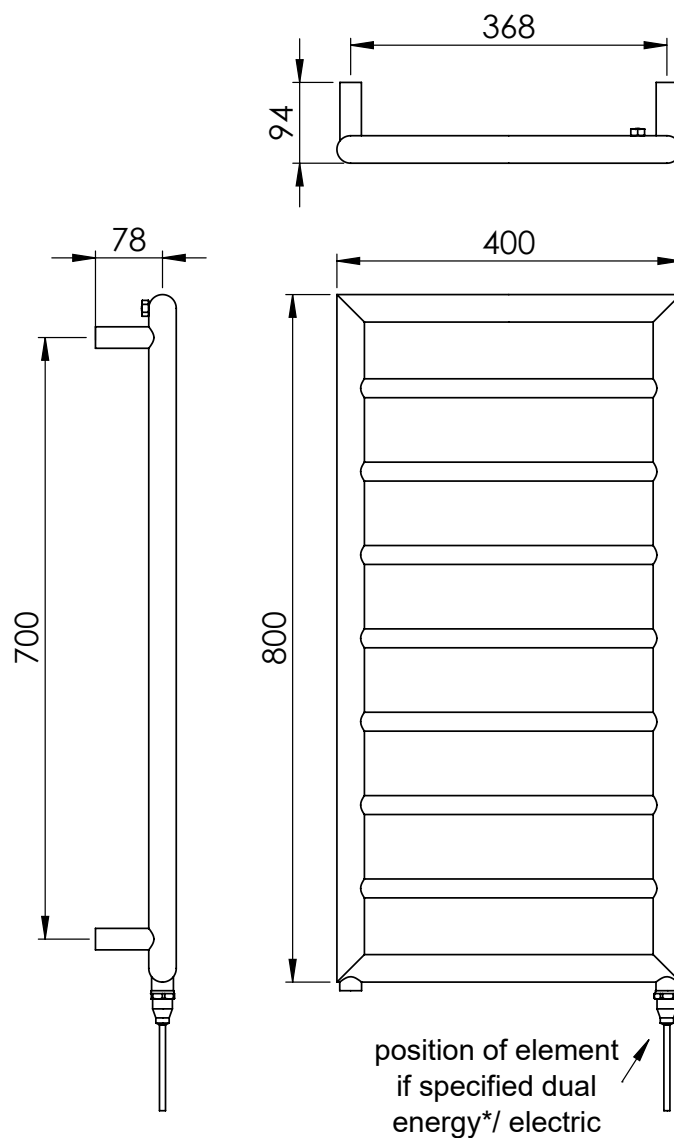
#### Key Features + Benefits



#### Certifications + Approvals

## Technical Data Sheet | Designer Towel Rails

### ios 800 x 400mm Towel Rail (Electric Only) IO080040CP-E



\*Dual energy models require a conversion-tee, consult relevant drawing for details.