

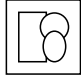


los LED Illuminated Mirror

INST050124, INST050125, INST050126, INST050127



Key Features + Benefits

5 Years Guarantee	2 Years Guarantee Electrical Components	IP44 IP44 Rated	LED LED Lighting	CCT CCT Control Lighting	 Touch Controls	 Heated Demister Pad
 Multiple Shaped Options	SLIM Slim Depth					

Specification

	INST050124 (ø600mm)	INST050125 (ø800mm)	INST050126 (ø600mm)
Finish	Black	Black	Brass
Dimensions	600(diameter) x 30(d) mm	800(diameter) x 30(d) mm	600(diameter) x 30(d) mm
Weight	6.9kg	8kg	6.9kg
Lighting Type	LED	LED	LED
Colour Changing Technology (CCT)	Yes	Yes	Yes
Switch Location	Front	Front	Front
Surface/Recess Fitting	Surface	Surface	Surface
Carcass/Frame Construction Material	Aluminium	Aluminium	Aluminium
Glass Thickness	5mm	5mm	5mm

	INST050127 (ø800mm)
Finish	Brass
Dimensions	800(diameter) x 30(d) mm
Weight	8kg
Lighting Type	LED
Colour Changing Technology (CCT)	Yes
Switch Location	Front
Surface/Recess Fitting	Surface
Carcass/Frame Construction Material	Aluminium
Glass Thickness	5mm

Features

Lighting	Backlit design with double tap CCT (Colour Changing Technology) control
Controls	Touch on/off
Design	Chamfer detailing on glass designed to flow into the design of the frame

FAQs

Please see following pages

Certifications + Accreditations

Roper Rhodes

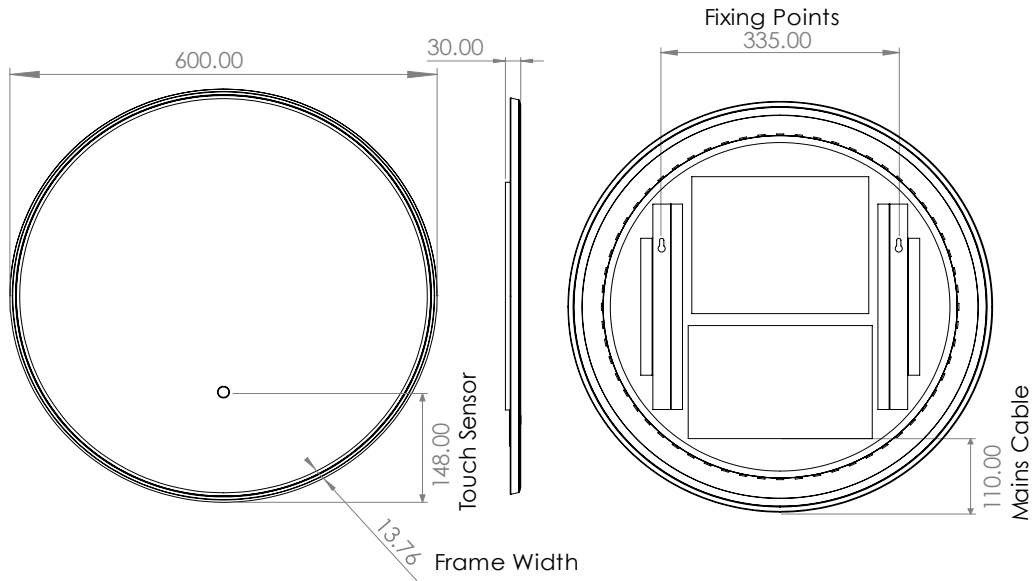
Brassmill Lane Trading Estate, Bath, BA1 3JF. Technical Support – Tel: 01225 303 900 Email: sales@roperrhodes.co.uk

All information on the data sheet is correct at the time of publication. All measurements are approximate and subject to standard tolerances.

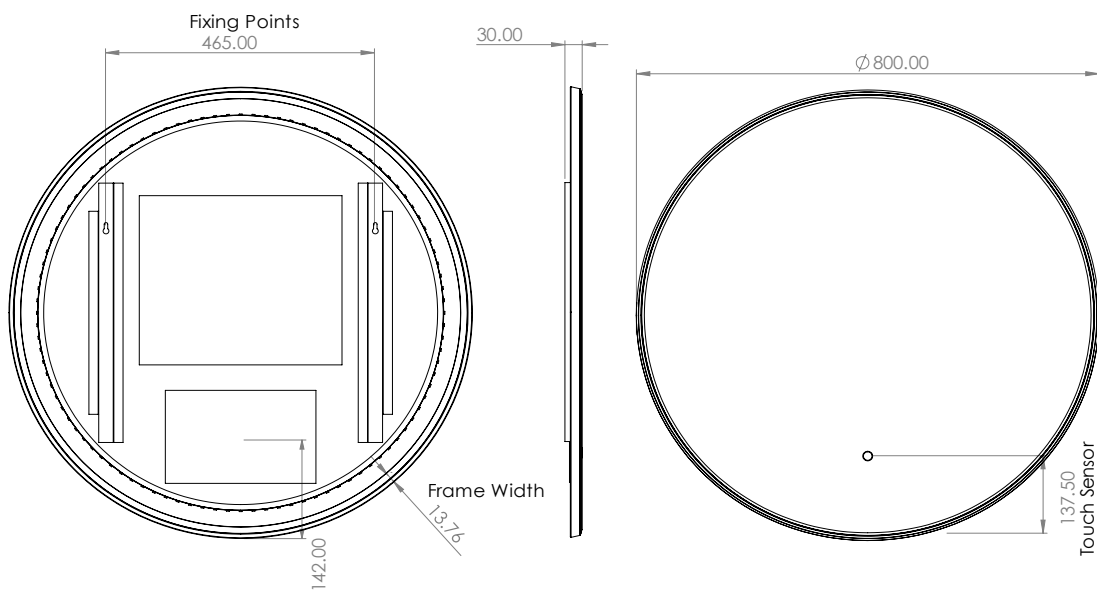
los LED Illuminated Mirror

INST050124, INST050125, INST050126, INST050127

Circular – ø600mm (INST050124 + INST050126)



Circular – ø600mm (INST050125 + INST050127)



Technical Data Sheet | Cabinets + Mirrors

www.instinctproducts.co.uk

los LED Illuminated Mirror

INST050124, INST050125, INST050126, INST050127

FAQs

	INST050124 (ø600mm)	INST050125 (ø800mm)	INST050126 (ø600mm)	INST050127 (ø800mm)
Can the mirror be hung landscape?	Portrait Only	Portrait Only	Portrait Only	Portrait Only
What is the thickness of the mirror glass?	5mm	5mm	5mm	5mm
Is the cabinet IP44 rated?	Yes – Suitable for use in bathroom zone 2			
What size fuse should I use?	Seek the advice of an electrician			
Where is the switch sensor located?	Front Centre	Front Centre	Front Centre	Front Centre
Can the LED lighting be replaced?*	No	No	No	No
Can the switch sensor be replaced?	Yes	Yes	Yes	Yes
How do I turn on the demister pad?	The demister pad will turn on when the LEDs are turned on			
Are illuminated cabinets supplied with mains cable?	All illuminated mirrors are supplied with a removeable 500mm mains cable.			
Why are the lights not switching on?	Please note: After the mirror is connected to power for the first time, it may take up to 5 minutes for the sensor to calibrate and become fully responsive.			

*The LEDs are not replaceable to maintain the integrity of the product's resistance to moisture ingress.

Electrical Specification

	INST050124 (ø600mm)	INST050125 (ø800mm)	INST050126 (ø600mm)	INST050127 (ø800mm)
Input Voltage	220-240V 50Hz	220-240V 50Hz	220-240V 50Hz	220-240V 50Hz
Lamp Type	24V DC LED Lamp	24V DC LED Lamp	24V DC LED Lamp	24V DC LED Lamp
Total Wattage (LED + Demist)	25.6W	42.1W	25.6W	42.1W
Demist	9W	18.9W	9W	18.9W
Demist Size	200 x 250mm	300 x 350mm	200 x 250mm	300 x 350mm
LEDs	16.6W	23.2W	16.6W	23.2W
LED**	975lm	1365lm	975lm	1365lm
Energy Rating	F	F	F	F
CCT	3000–6500K	3000–6500K	3000–6500K	3000–6500K
CRI	80	80	80	80
IP Rating	IP44	IP44	IP44	IP44
Electrical Class	Class II	Class II	Class II	Class II

*The Lumen represents the output of the LED. This may vary depending on the diffuser material i.e., glass or acrylic.

Roper Rhodes

Brassmill Lane Trading Estate, Bath, BA1 3JF. Technical Support – Tel: 01225 303 900 Email: sales@roperrhodes.co.uk

All information on the data sheet is correct at the time of publication. All measurements are approximate and subject to standard tolerances.