

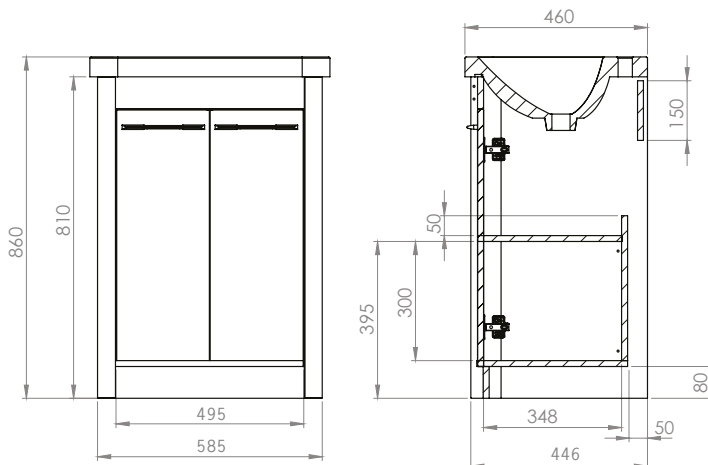
los 600mm Floor Standing Two Door Basin Unit

INST041218, INST041217, INST041265, INST041238, INST041244, INST041225



Specification

Finish	Gloss White (INST041218) Gloss Anthracite (INST041217) Matt Stone Grey (INST041265) Matt Dark Blue (INST041238) Gloss Light Grey (INST041244) Matt Nordic Green (INST041225)
Dimensions	860(h) x 605(w) x 460(d) mm
Weight	21 kg
Carcass Thickness	16 mm
Carcass Material	MDF
Carcass Finish	Painted and melamine faced
Internal Cabinet Colour	Same as exterior
Plumbing Void	50 mm
Cabinet Fixing Type	Fix to wall via back brace
Door / Drawer Finish	Painted
Door / Frontal Material	MDF
Number of Doors	Two
Number of Drawers	None
Number of Internal Shelves	One (Fixed)
Door Handing	-
Hinge / Runner Type	Soft close
Handle / Knob	Two chrome plated handles (supplied)
Handle Centres	160 mm
Pre-Drilled / Marked for handles	Pre-drilled



FAQs

Please see next page

Key Features + Benefits



5
Years
Guarantee



Soft Close
Doors



One Internal
Shelf



Plumbing
Void



One Taphole
Basin

Certifications + Approvals

Roper Rhodes

Brassmill Lane Trading Estate, Bath, BA1 3JF. Technical Support – Tel: 01225 303 900 Email: sales@roperrhodes.co.uk

All information on the data sheet is correct at the time of publication. All measurements are approximate and subject to standard tolerances.

los 600mm Floor Standing Two Door Basin Unit

INST041218, INST041217, INST041265, INST041238, INST041244, INST041225

FAQs

Q – How big is the plumbing void at the back of the furniture?

A – 50mm.

Q – Are the handles fitted?

A – No, handles need fixing. Holes are pre-drilled.

Q – How far apart are the hole centres for the handles?

A – 160mm.

Q – Are the hinges soft close?

A – The hinges are both soft close and quick release.

Q – Can the doors be adjusted?

A – The doors can be adjusted as detailed in the supplied instructions.

Q – How deep is the unit with doors open?

A – Approx 680mm at 90°.

Q – Is the shelf removable?

A – No, the shelf can't be removed.

Q – What is the shelf capacity?

A – Shelf max depth: 348mm.

Q – How many shelves are there?

A – There is one shelf and a base within the unit.

Q – Is the shelf adjustable?

A – No, the shelf is at a fixed position.

Q – What is the interior finish of the unit?

A – The unit interior is the same finish as the exterior.