

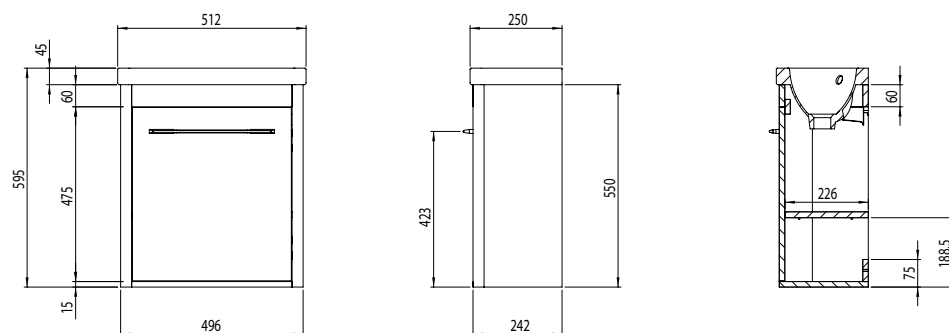
los 500mm Wall Mounted Single Door Cloakroom Basin Unit

INST04111, INST04112, INST04113, INST04114, INST04115, INST041227



Specification

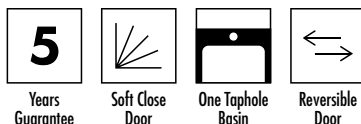
Finish	Gloss White (INST04111) Gloss Anthracite (INST04112) Matt Stone Grey (INST04113) Matt Dark Blue (INST04114) Gloss Light Grey (INST04115) Matt Nordic Green (INST041227)
Dimensions	595(h) x 512(w) x 250(d) mm
Weight	12.9kg
Carcass Thickness	16mm
Carcass Material	MDF
Carcass Finish	Painted and melamine faced
Internal Cabinet Colour	Same as exterior
Plumbing Void	50mm
Cabinet Fixing Type	Adjustable wall hangers
Door / Drawer Finish	Painted
Door / Frontal Material	MDF
Number of Doors	One
Number of Drawers	None
Number of Internal Shelves	One (Fixed)
Door Handing	Reversible
Hinge / Runner Type	Soft close
Handle / Knob	One chrome plated handle (supplied)
Handle Centres	320mm
Pre-Drilled / Marked for handles	Pre-drilled



FAQs

Please see next page

Key Features + Benefits



Certifications + Approvals

Roper Rhodes

Brassmill Lane Trading Estate, Bath, BA1 3JF. Technical Support – Tel: 01225 303 900 Email: sales@roperrhodes.co.uk

All information on the data sheet is correct at the time of publication. All measurements are approximate and subject to standard tolerances.

los 500mm Wall Mounted Single Door Cloakroom Basin Unit

INST04111, INST04112, INST04113, INST04114, INST04115, INST041227

FAQs

Q – How big is the plumbing void at the back of the furniture?

A – No plumbing void, open back to receive pipework straight from wall.

Q – Are the handles fitted?

A – No, handles need fixing.

Q – How far apart are the hole centres for the handles?

A – 320mm.

Q – Are the hinges soft close?

A – Approx 660mm at 90°.

Q – Can the doors be adjusted?

A – The door can be adjusted as detailed in the supplied instructions.

Q – Is the shelf removable?

A – Yes, the shelf can be removed.

Q – What is the shelf capacity?

A – Shelf max depth: 226mm.

Q – How many shelves are there?

A – There is one shelf and a base within the unit.

Q – Is the shelf adjustable?

A – No, the shelf isn't adjustable.

Q – What is the interior finish of the unit?

A – The unit interior is the same finish as the exterior.

Q – Can the door be reversed?

A – Yes, the unit is supplied with LH hinge but inserts allow for RH hinge.