

los 500mm Ceramic One Taphole Basin INST041072

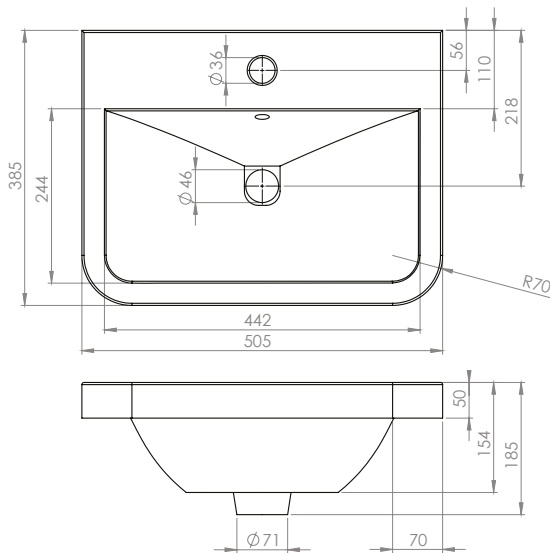


Specification

Finish	White
Dimensions	45(h) x 505(w) x 385(d) mm
Weight	9kg
Basin Material	Ceramic
Overflow	Yes
Chainstay Hole	No
Reversible	-
Taphole Positioning	Centre

FAQs

Please see next page



Key Features + Benefits

5

Years
Guarantee



One Taphole
Basin

Certifications + Approvals

Roper Rhodes

Brassmill Lane Trading Estate, Bath, BA1 3JF. Technical Support – Tel: 01225 303 900 Email: sales@roperrhodes.co.uk

All information on the data sheet is correct at the time of publication. All measurements are approximate and subject to standard tolerances.

los 500mm Ceramic One Taphole Basin INST041072

FAQs

Q – What is the maximum water depth of the basin?

A – 104mm up to the overflow.

Q – What is the internal depth?

A – The internal depth is 144mm.

Q – What is the depth of the Tapledge?

A – The Tapledge is 110mm.

Q – What is the distance from the Taphole centre to Basin Waste?

A – 162mm.