

los 500mm Cloakroom Ceramic One Taphole Basin (Right Hand) INST041016

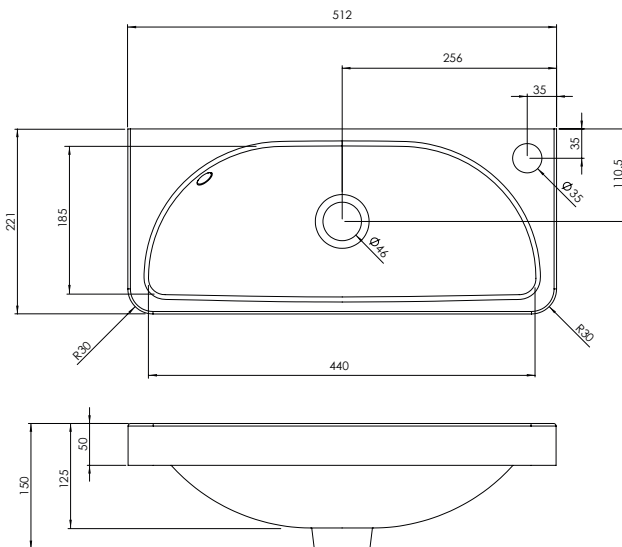


Specification

Finish	White
Dimensions	150(h) x 512(w) x 221(d) mm
Weight	7kg
Basin Material	Ceramic
Overflow	Yes
Chainstay Hole	No
Reversible	-
Taphole Positioning	Right hand corner

FAQs

Please see next page



Key Features + Benefits

5

Years
Guarantee



One Taphole
Basin

Certifications + Approvals

Roper Rhodes

Brassmill Lane Trading Estate, Bath, BA1 3JF. Technical Support – Tel: 01225 303 900 Email: sales@roperrhodes.co.uk

All information on the data sheet is correct at the time of publication. All measurements are approximate and subject to standard tolerances.

los 500mm Cloakroom Ceramic One Taphole Basin (Right Hand) INST041016

FAQs

Q – What is the maximum water depth of the basin?

A – 83mm up to the overflow.

Q – What is the width of the Tapledge?

A – The Tapledge is 110mm (from corner of basin at 45°).

Q – What is the distance from the Taphole centre to Basin Waste?

A – 250mm (diagonal).