

los Compact 1000mm Isocast Basin + Worktop INST041029 (Left Handed), INST041030 (Right Handed)

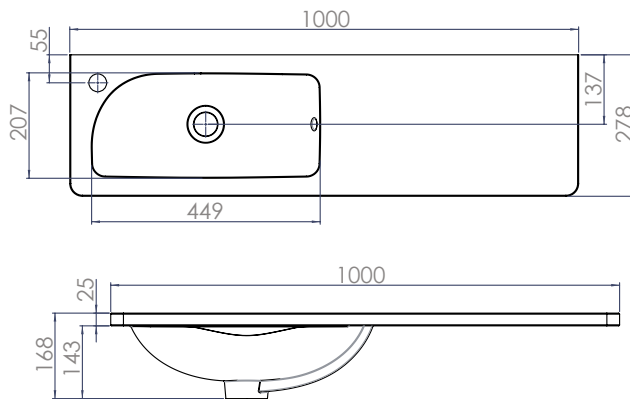


Specification

Finish	White
Dimensions	168(h) x 1000(w) x 278(d) mm
Weight	14.7kg
Basin Material	Isocast
Overflow	Yes
Chainstay Hole	No
Reversible	No
Taphole Positioning	Left Hand Corner (INST041029) Right Hand Corner (INST041030)
Tap	Not included
Waste	Not included

FAQs

Please see next page



Key Features + Benefits



5
Years
Guarantee



One Taphole
Basin

Certifications + Approvals

Roper Rhodes

Brassmill Lane Trading Estate, Bath, BA1 3JF. Technical Support – Tel: 01225 303 900 Email: sales@roperrhodes.co.uk

All information on the data sheet is correct at the time of publication. All measurements are approximate and subject to standard tolerances.

Technical Data Sheet | Modular Furniture

los Compact 1000mm Isocast Basin + Worktop INST041029 (Left Handed), INST041030 (Right Handed)

FAQs

Q – What is the maximum water depth of the basin?

A – 104mm up to the overflow.

Q – What is the internal depth?

A – The internal depth is 144mm.

Q – What is the depth of the Tapledge?

A – The Tapledge is 112mm.

Q – What is the distance from the Taphole centre to Basin Waste?

A – 162mm.