

Please retain for future reference

## Installation and Fitting Instructions

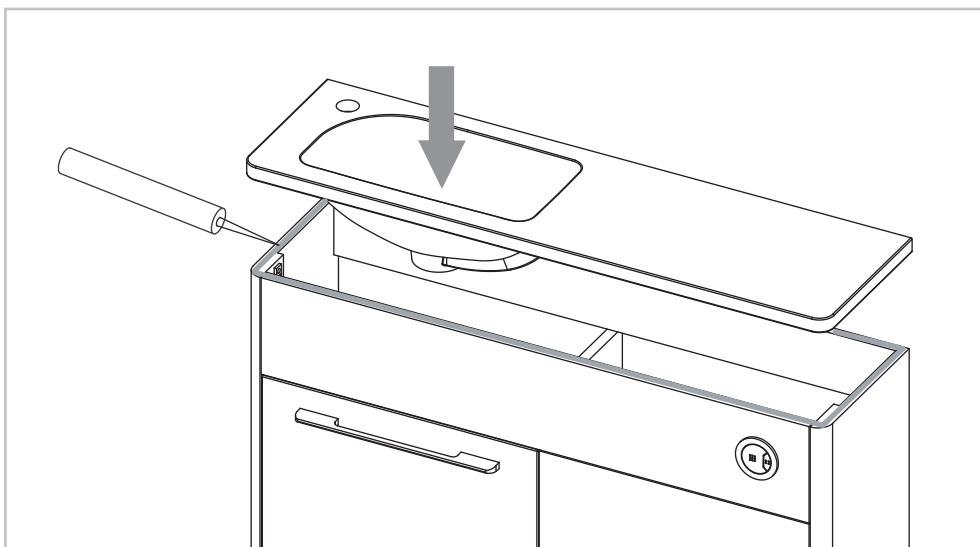
Before you start

Wear suitable eye protection when drilling. Take care when using power tools near water - the use of a residual current device (RCD) is recommended. Beware of hidden pipes or cables. Take care when drilling tiled surfaces as the drill might slip. Use a piece of masking tape to prevent the drill from wandering.

The unit and basin are secured to a suitably strong / reinforced wall to ensure stability. Fix in place following instructions on page 2. If in any doubt please consult an expert.

## Fitting Basin

Once the basin is plumbed in finish by securing to the washstand with a silicone sealant (not supplied) on all four edges.



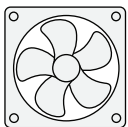
## Furniture Aftercare Instructions

As with all wooden furniture, this unit should be treated with care:

We recommend...



Wipe away any water splashes or condensation after use. Excessive exposure to water will deteriorate the furniture.



All bathrooms should be well ventilated with a suitable extractor fan.



Clean with a soft damp cloth only.



For removal of lime scale deposits use a suitable proprietary cleaner. If necessary test on an inconspicuous area first.

Please DO NOT...



Do not scrub or scour

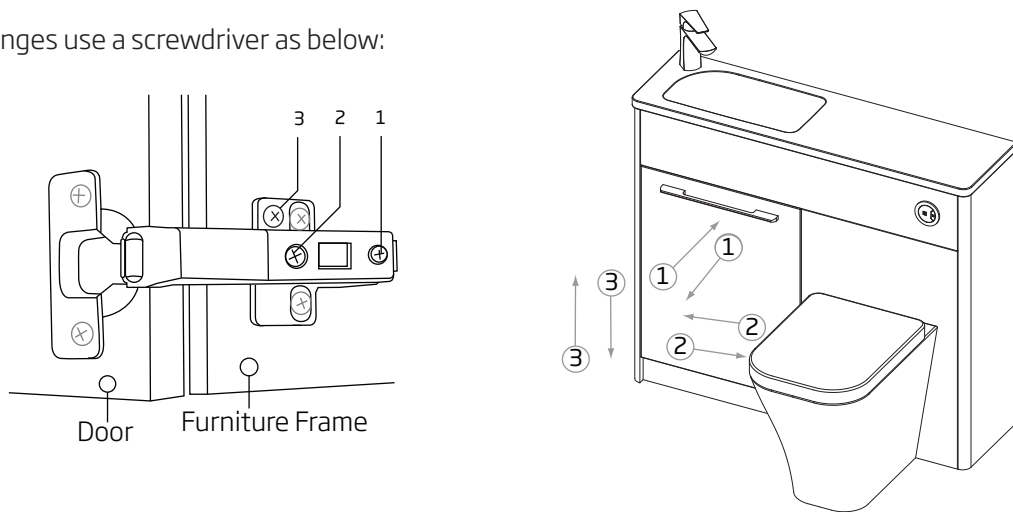


Do not use abrasive cleaning agents

# Installation

## Hinge adjustment

To adjust the door hinges use a screwdriver as below:



## Back to wall Installation

Please note that these instructions are a guide only and may not be appropriate for all installations. Fit WC according to manufacturer's instructions.

1. Remove the top fascia by and gently pulling towards you, releasing fascia from clips.
2. Remove main access panel by simply sliding upwards.
3. Cut suitable hole for soil pipe on main access panel and hole for cistern button on top fascia.\*
4. Fit unit in required location ensuring correct position of supply and waste pipes using fixings supplied.
5. Install WC and silicone the joint between WC and access panel. Install to normal building regulations.
6. Fit cistern and flush button/ plate into unit and top fascia. Apply fascia using reverse instruction from Stage 1.

\*DO NOT cut a mouse hole as this will weaken the units construction.

