

## Technical Data Sheet | Cylinders

www.instinctproducts.co.uk

### Standard Direct + Standard Indirect Cylinders 120, 150, 170, 200, 250 + 300\*



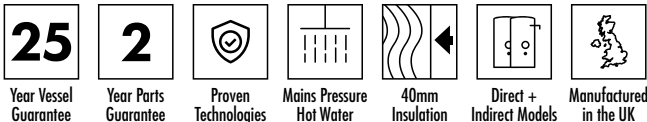
#### Specification

Finish	Grey
Dimensions	See following page
Weight	See following page
Capacity	Available in sizes up to 300 litres. See following page

#### Features

Material	Highly corrosion resistant duplex stainless steel
Fittings	Compression fittings included as standard
Heating Element	Corrugated heating coil

#### Key Features + Benefits



#### Certifications + Accreditations

**Gledhill Building Products Ltd**  
Sycamore Estate, Squires Gate, Blackpool FY4 3RL. Tel: 01482 498663 Email: technical.help@idealboilers.com

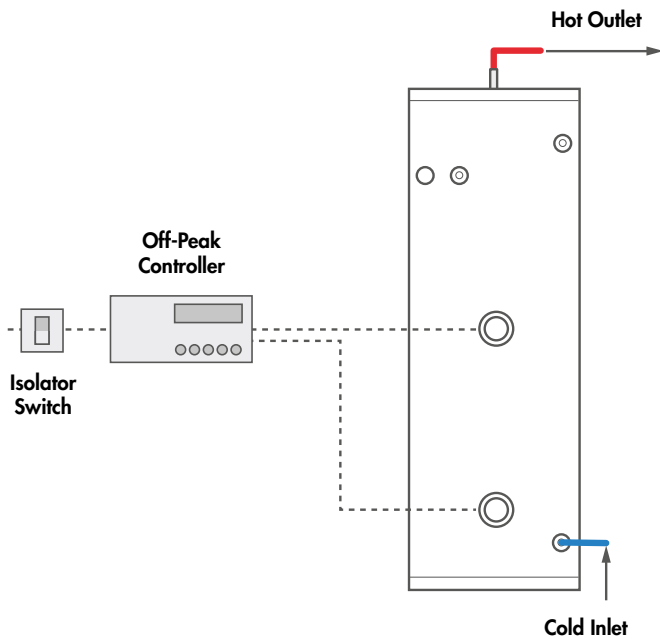
All information on the data sheet is correct at the time of publication. All measurements are approximate and subject to standard tolerances. \*300 available in Standard Indirect only

## Technical Data Sheet | Cylinders

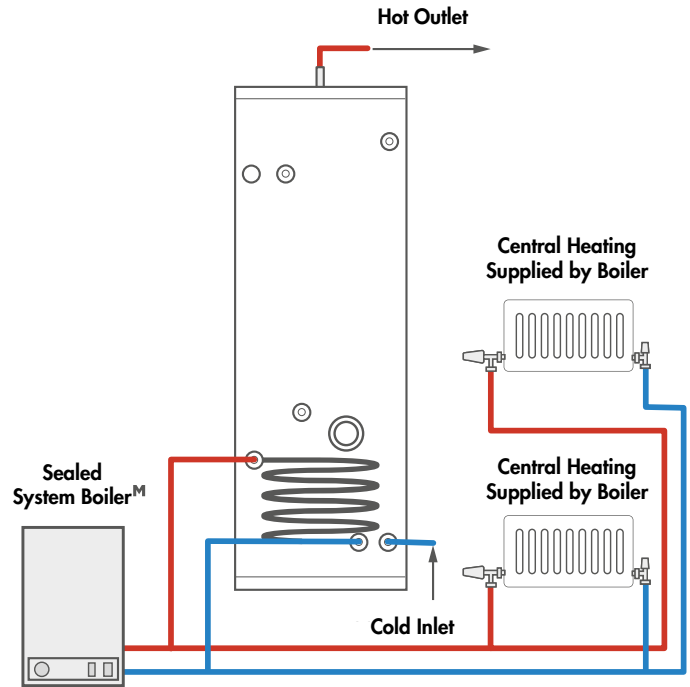
### Standard Direct + Standard Indirect Cylinders

120, 150, 170, 200, 250 + 300\*

#### Standard Direct



#### Standard Indirect



Standard Direct							
	ErP Rating	Heat Loss	Heat Loss	Capacity	Height	Diameter	Weight
IDEINSDR120	C	43 Watts	1.03 kWh/24h	118 Litres	832mm	530mm	19kg
IDEINSDR150	C	52 Watts	1.24 kWh/24h	149 Litres	1012mm	530mm	22kg
IDEINSDR170	C	57 Watts	1.37 kWh/24h	169 Litres	1131mm	530mm	24.3kg
IDEINSDR200	C	65 Watts	1.56 kWh/24h	198 Litres	1305mm	530mm	27kg
IDEINSDR250	C	79 Watts	1.89 kWh/24h	248 Litres	1603mm	530mm	33.3kg
IDEINSDR300	C	86 Watts	2.06 kWh/24h	287 Litres	1990mm	530mm	41kg

Standard Indirect							
	ErP Rating	Heat Loss (Watts)	Heat Loss	Capacity	Height	Diameter	Weight
IDEINSIN120	B	43 Watts	1.03 kWh/24h	118 Litres	832mm	530mm	19.5kg
IDEINSIN150	B	52 Watts	1.24 kWh/24h	149 Litres	1012mm	530mm	23.3kg
IDEINSIN170	B	57 Watts	1.37 kWh/24h	169 Litres	1131mm	530mm	26kg
IDEINSIN200	C	65 Watts	1.56 kWh/24h	198 Litres	1305mm	530mm	28.5kg
IDEINSIN250	C	79 Watts	1.89 kWh/24h	248 Litres	1603mm	530mm	35kg
IDEINSIN300	C	92 Watts	2.20 kWh/24h	295 Litres	1895mm	530mm	41kg

#### Gledhill Building Products Ltd

Sycamore Estate, Squires Gate, Blackpool FY4 3RL. Tel: 01482 498663 Email: technical.help@idealboilers.com

All information on the data sheet is correct at the time of publication. All measurements are approximate and subject to standard tolerances. \*300 available in Standard Indirect only