

Indirect Pre Plumbed System Ready Cylinders 120, 150, 170, 200, 250 + 300



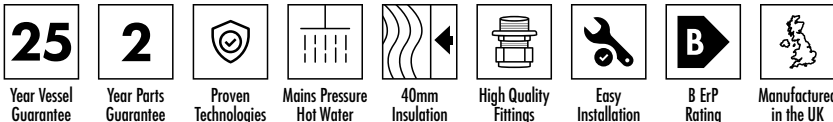
Specification

Finish	Grey
Dimensions	See following page
Weight	See following page
Capacity	Available in sizes up to 300 litres. See following page

Features

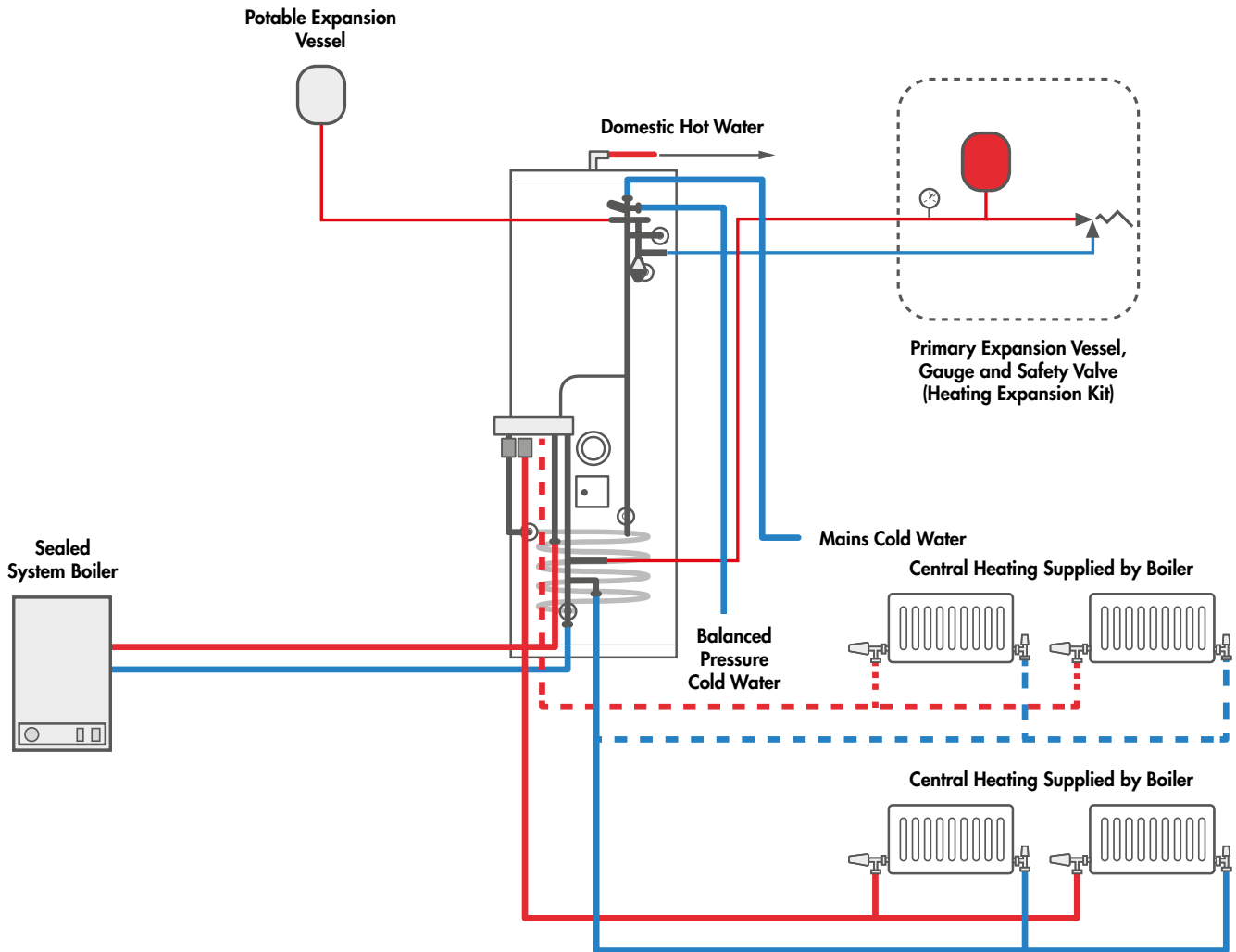
Material	Highly corrosion resistant duplex stainless steel
Fittings	Compression fittings included as standard
Heating Element	Corrugated heating coil
Installation	Designed with standard plumbing parts for improved ease of installation, and installer familiarity, ensures easy on site installation

Key Features + Benefits



Certifications + Accreditations

Indirect Pre Plumbed System Ready Cylinders 120, 150, 170, 200, 250 + 300



Indirect Pre Plumbed System Ready

	ErP Rating	Heat Loss	Heat Loss	Capacity	Height	Diameter	Weight
IDEINSIN120PPSR	B	43 Watts	1.03 kWh/24h	118 Litres	832mm	530mm	25kg
IDEINSIN150PPSR	B	52 Watts	1.24 kWh/24h	149 Litres	1012mm	530mm	29kg
IDEINSIN170PPSR	B	57 Watts	1.37 kWh/24h	169 Litres	1131mm	530mm	32kg
IDEINSIN200PPSR	C	65 Watts	1.56 kWh/24h	198 Litres	1305mm	530mm	35kg
IDEINSIN250PPSR	C	79 Watts	1.89 kWh/24h	248 Litres	1603mm	530mm	43kg
IDEINSIN300PPSR	C	92 Watts	2.20 kWh/24h	295 Litres	1895mm	530mm	48kg