

SHOWERS & SHOWER ACCESSORIES

Five Function Eco Shower Set, Chrome INSTAM160141PG

- Chrome five function shower head
- Easy to clean, rub clean nozzles
- 1.5m Stainless steel hose
- 690mm Riser Rail
- 580mm fixing centres
- Clear soap dish
- Hose retaining clip
- Optional ECO function reduces water usage by up to 50%
- Universal ½" B.S.P. connection
- Fixings included

Eco Water Saving Feature

This shower is supplied with an optional water saving device which reduces water usage by up to 50%. By reducing water volume but not water pressure, an invigorating shower can still be enjoyed. Simply insert the water saving device supplied into the handset threaded connector during installation. This device can be removed at any time if required. N.B. Our hand showers are all designed to optimise flow in the lowest pressure environments. In this instance it may not be necessary to use this optional device.

*Do not use the water saving device with electric showers

Easy To Clean

This shower head features rub clean nozzles which are easy to unblock helping to keep limescale build up to a minimum. To clean, simply rub the surface of the shower head gently in a clockwise direction with your thumb to break away any hard water deposits which could affect the shower's performance.



Easy To Adjust

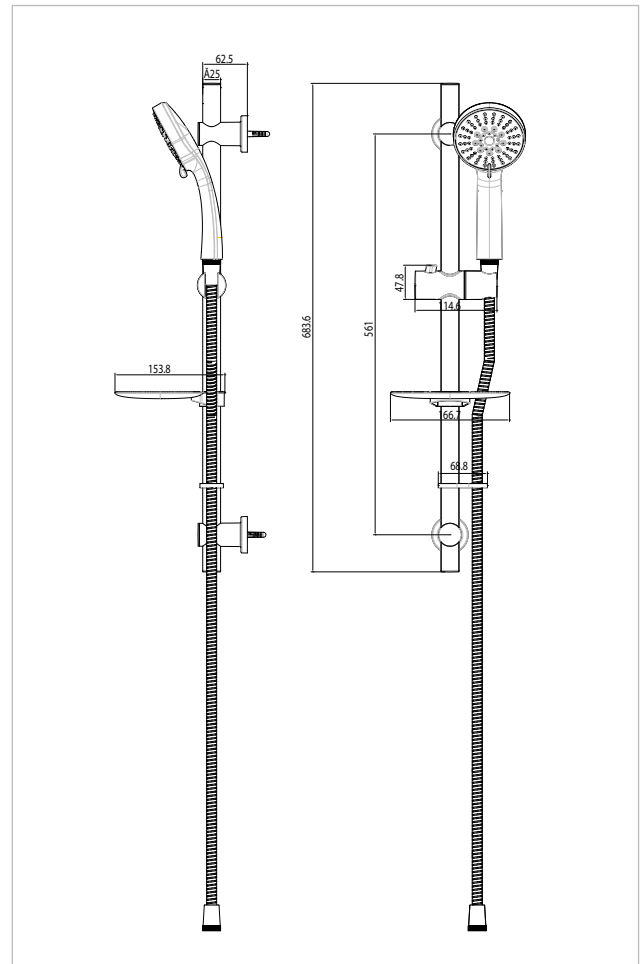
1. Compress the button on the riser bracket to adjust the height of the shower head.
2. Compress the button on the riser bracket to move the shower head to face right, left or to the centre.
3. Adjust the angle of the shower head once positioned in the riser rail bracket by moving it backwards or forwards.

General Safety Advice

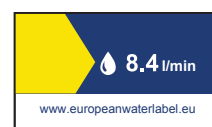
- For safety and convenience do not use with water above 65°C or with excessively high water pressure (max 50psi/3.5bar).
- To avoid the risk of scalding you should always check the water temperature before entering the shower.
- Always take care when using hot water, especially with children and NEVER leave a child unattended in the bathroom.
- Take extreme care when using a drill particularly in the bathroom. Always check for hidden cables and pipework before drilling and take extreme care if there is any water in the working area. It is advisable to use a residual current circuit breaker (RCCB).
- Always use eye protection when using power tools.
- If the product is to be fitted on a ceramic tiled wall, a ceramic drill bit should be used. Always ensure that the drill hole passes through the central tiled area rather than through the grouted area. To prevent surface damage to the tile, mask the area around the hole with tape before drilling.
- Do not use product as a grab bar.
- Clean surfaces with a damp cloth and wipe dry using a soft cloth.
- Do not use detergents or abrasive cleaners as these may damage the surface of the fitting.

Easy To Install

Turn over to view installation instructions.



INNOVATION



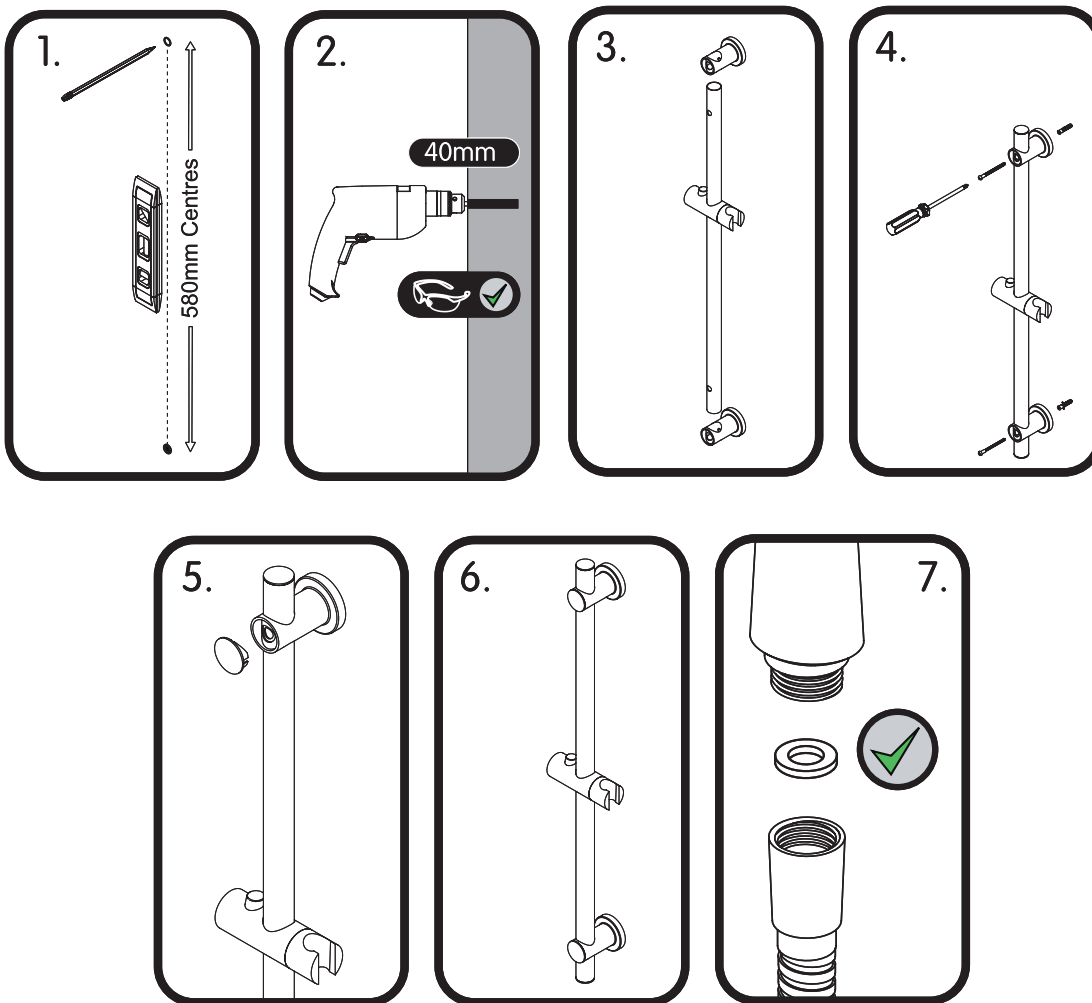
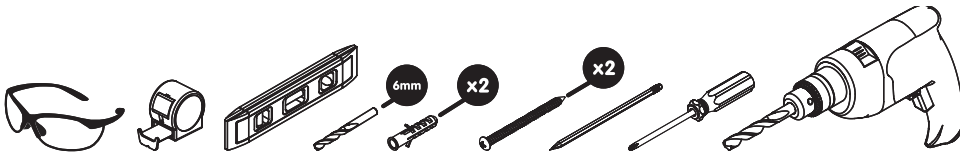
*Flowrate with water saving device fitted



SHOWERS & SHOWER ACCESSORIES

Three Function Eco Shower Set, Chrome

INSTAM169341PG



SHOWER COMPATIBILITY	
POWER SHOWERS	✓
WALL MIXERS	✓
BATH MIXERS	✓
ELECTRIC SHOWERS*	✓

*Check compatibility with your electric shower before use.