

# INSTINCT<sup>®</sup>

## COMPLETE INST03019

Soft Close Quick Release

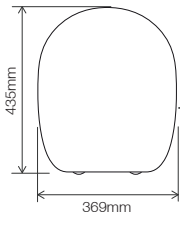
### Toilet Seat

#### FITTING INSTRUCTIONS

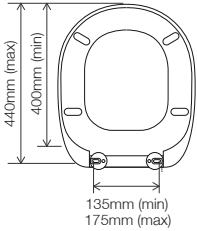
Please read carefully before attempting to fit the seat & refer to the 'does it fit' diagram below to ensure it's suitable for your toilet.

Please make sure the warnings and after-care instructions are made available for the end user to read.

#### Does it fit?



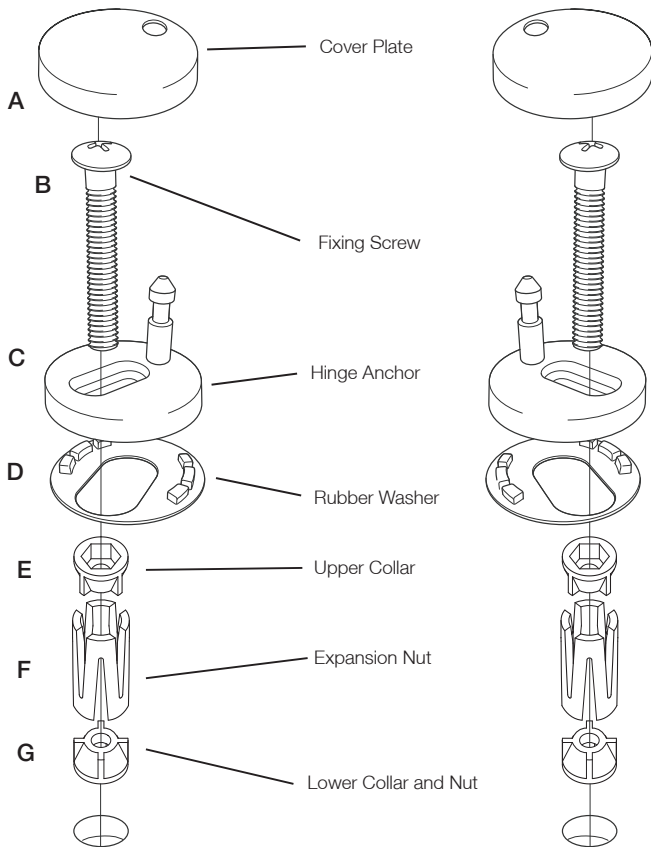
general seat dimension



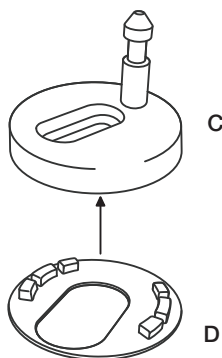
max/min fixing adjustment

Please can you measure before opening the pack

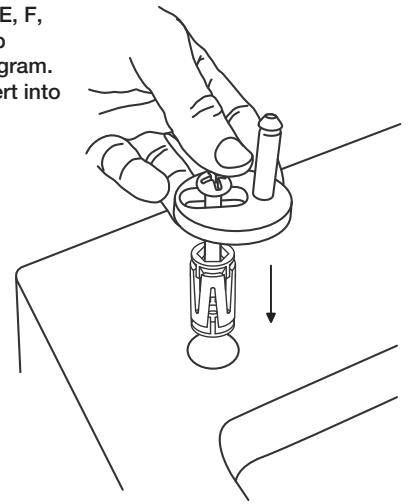
#### TOP FIX INSTALLATION



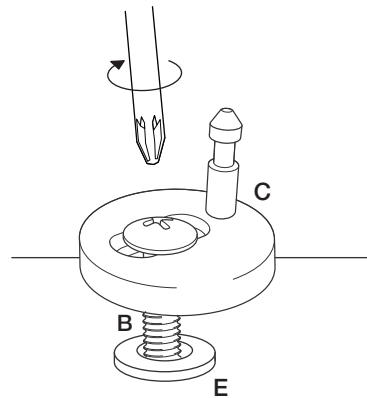
**1** Locate the rubber washer underneath the hinge anchor



**2** Assemble parts B, C, E, F, G as shown in the Top Fixing Installation Diagram. Once assembled, insert into the toilet pan holes

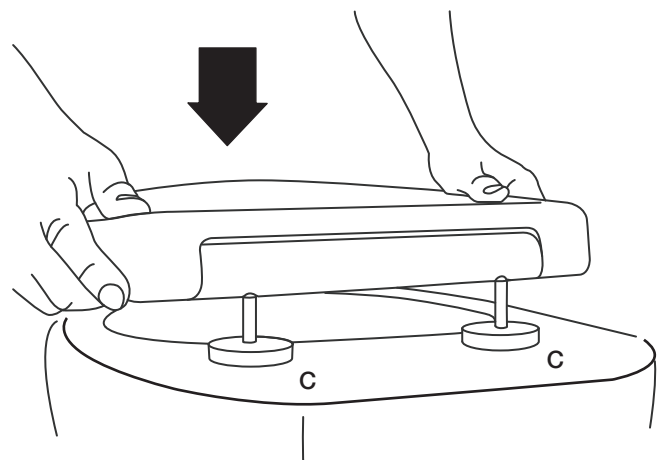


**3** Tighten fixing screw

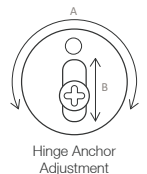
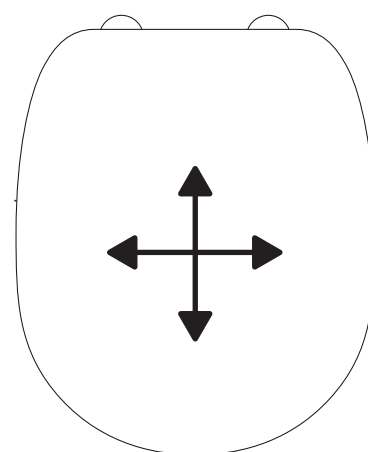


Tighten moderately to allow further adjustment

**4** Click seat on

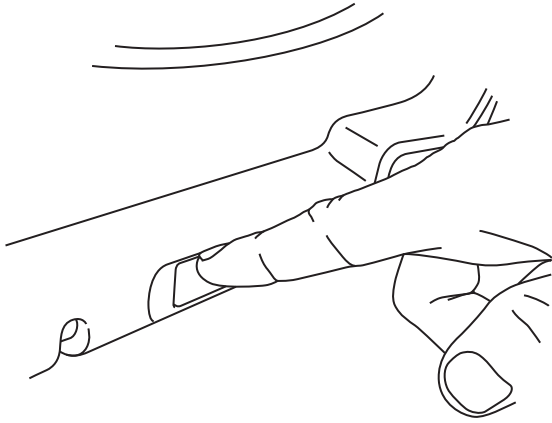


**5** Adjust seat to correct position

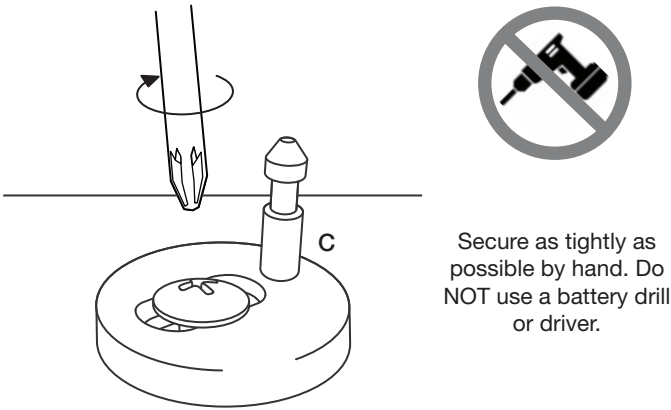


Adjust the position of the hinge anchors to make sure the seat lines up with the edges of the toilet pan.

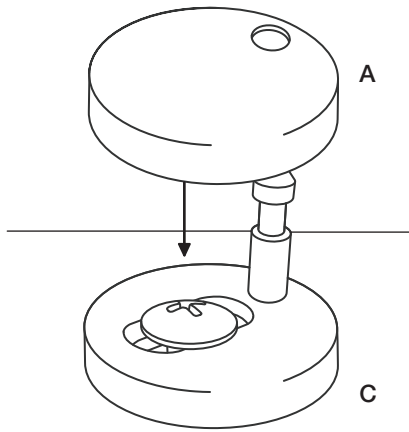
**6** Lift seat up and press button to click seat off



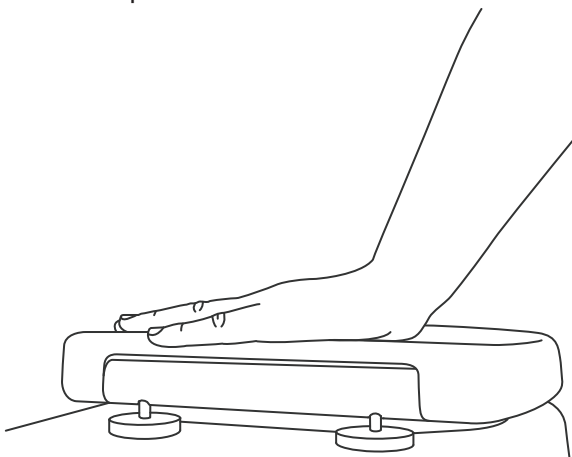
**7** Fully tighten hinge anchors



**8** Place on cover caps



**9** Click seat in place

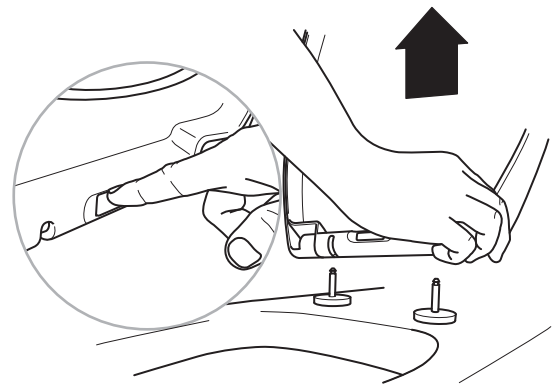


**WARNINGS**

- The fittings pack contains small items which should be kept away from young children.
- The toilet seat can be dangerous if incorrectly installed. Assembly should be carried out by a competent person. No liability will be accepted for damage or injury caused by incorrect product installation or assembly.
- Do not stand on the lid or ring of your toilet seat.
- After a few days check that the fixings are still tight. This is necessary as the some components might compress during the first few days.
- Periodically check all fixings to ensure none have come loose and re-tighten where necessary. Please take care when handling or moving the toilet seat as careless handling may cause damage or injury.
- Never over rotate the seat open when it is removed from the WC as this can cause damage to the hinges.
- Do not force down the seat ring or lid as this may compromise the performance of the soft close hinges.

**AFTERCARE INSTRUCTIONS**

**Removing seat for cleaning**



Clean surfaces with a soft damp cloth and mild soap solution



Do not scrub or scour



Do not use abrasive cleaning agents. If using bleach, abrasive or corrosive cleaning agents inside the toilet bowl, ensure that these do not come into contact with the seat. Keep the seat in the upright position until all cleaner has been flushed away.



Do not stand on the lid or ring of your toilet seat

For Technical Help Call:  
**01225 303 900**

Brassmill Lane Trading Estate | Bath | BA1 3JF