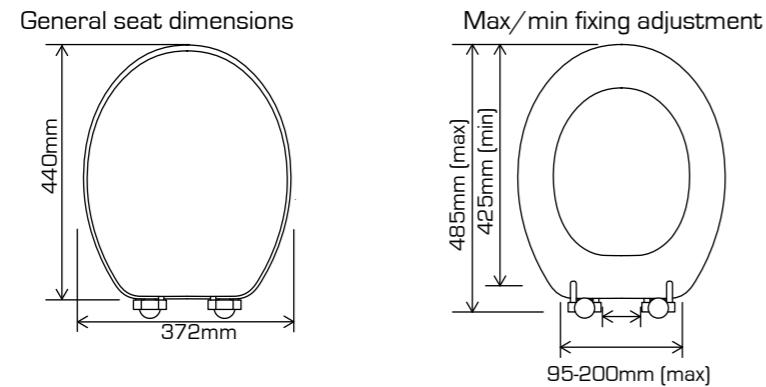


INSTINCT®

Tahiti - Gloss White Toilet Seat (INST03006)

Thank you for purchasing this toilet seat. Please read the instructions carefully before use to ensure a safe and satisfactory operation.



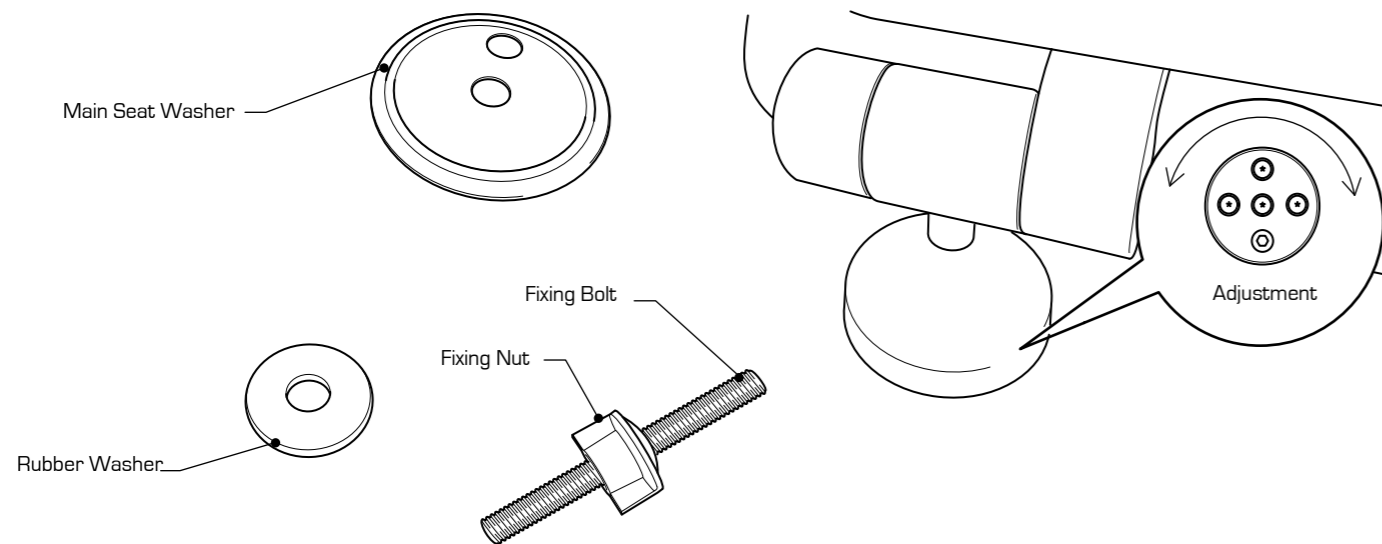
Pre-assembly preparation

Please ensure instructions are read in full before attempting to assemble this product.

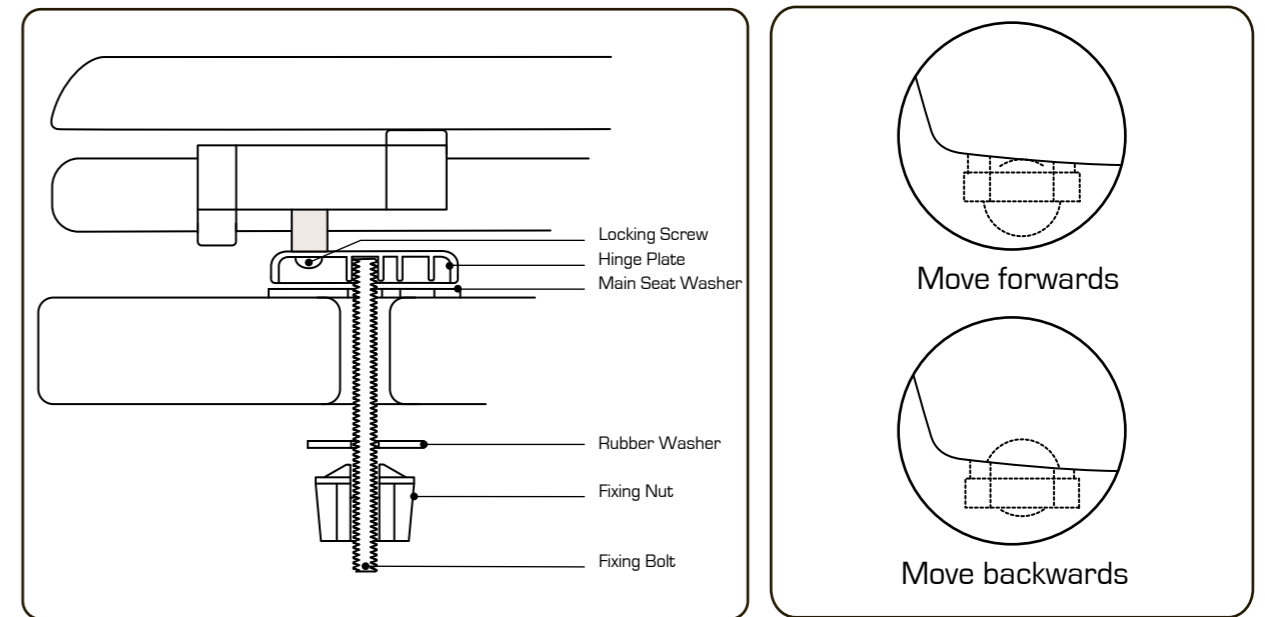
Please check the pack contents before attempting to assemble this product. A full checklist of components is given in this leaflet. If any components are missing, please contact us.

The fittings pack contains SMALL ITEMS which should be KEPT AWAY FROM YOUNG CHILDREN.

Fittings and parts checklist



Step by step assembly instruction



Please read carefully before attempting to fit the seat. If you are not the end user, please make sure the aftercare instructions are made available for the end user to read. Before fitting the seat to the pan it is essential that the hinges are adjusted correctly and the locking screws are firmly tightened. Failure to tighten these screws will result in the hinges working loose over a period of time.

The seat can be adjusted in 3 ways to fit the pan:

- By loosening the locking screw, the hinge plate can be rotated to adjust the distance between the fixing bolts.
 - By locating the fixing bolt into one of the 4 threaded holes in the hinge plate, it is possible to adjust the forward/backward position of the seat.
 - It is possible to get larger adjustment of the forward/backward position by rotating the hinge plates through 180°.
1. Having adjusted the hinge plate to the correct position make sure the locking screws are tight.
 2. Place the main seat washers under the hinge plates, and feed the fixing bolts through the holes in the toilet pan.
 3. Fit the rubber washer and fixing nut as shown in the assembly diagram.
 4. Secure the fixing nuts very firmly using a spanner or pliers (not supplied). Care must be taken not to over tighten the nuts as this could result in damage to the toilet pan.

Care and maintenance

After a few days check that the fixings are still tight. This is necessary as the rubber components will compress during the first few days. Clean surfaces with a soft damp cloth and mild soap solution and dry afterwards. Do not scrub or scour. Do not use abrasive cleaning agents. Do not stand on the lid or ring of your toilet seat. When using abrasive, corrosive or chlorine-based cleaners for the toilet bowl, ensure that these do not come into contact with the seat. Also keep the seat and cover in an upright position until all cleaner has been flushed away. Failure to do so can lead to discolouration of surfaces or rusting of metal parts which will not be covered by the guarantee.

Safety instructions

Periodically check all fixings to ensure none have come loose and re-tighten where necessary. Please take care when handling or moving the toilet seat as careless handling may cause damage or injury. The toilet seat can be dangerous if incorrectly installed. Assembly should be carried out by a competent person. No liability will be accepted for damage or injury cause by incorrect product installation or assembly.

Customer Services:

Brassmill Lane Trading Estate, Bath, BA1 3JF | T. 01225 303900 | F. 01225 448877