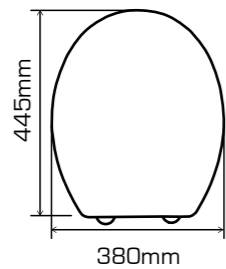


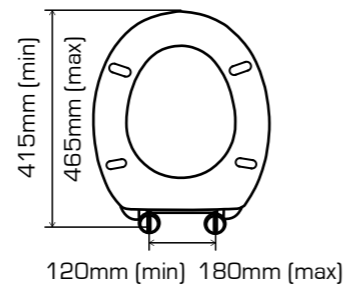
INSTINCT®

Malta - Thermoset Toilet Seat (INST03002)

General seat dimensions



Max/min fixing adjustment



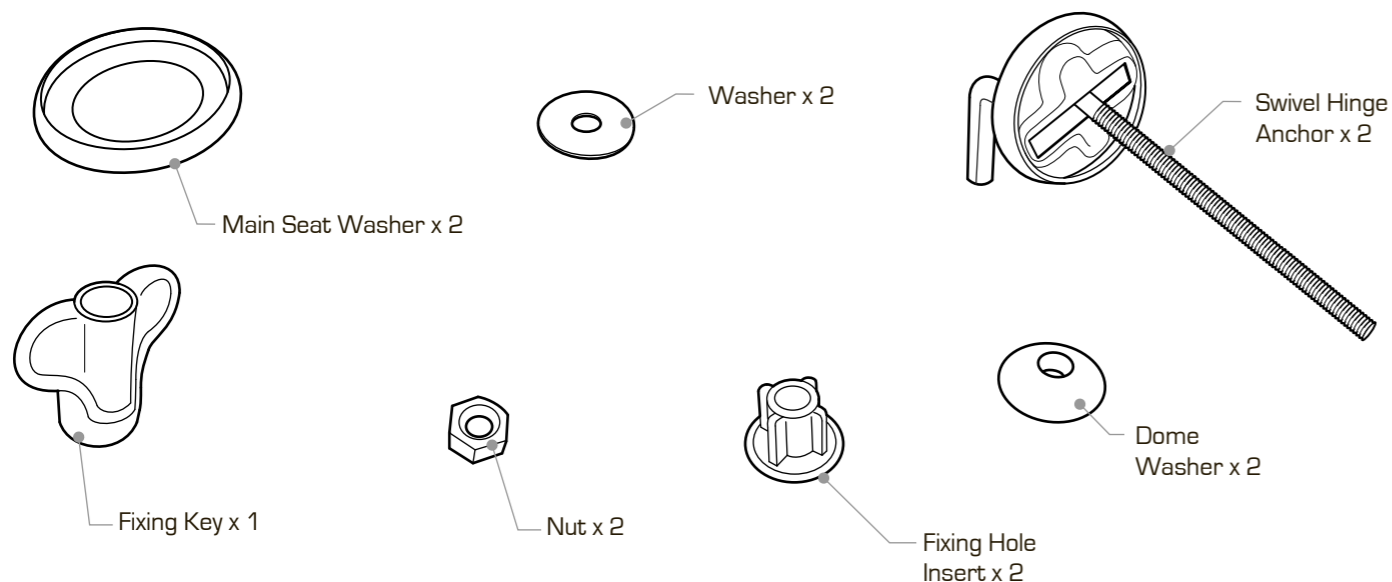
Pre-assembly preparation

Please ensure instructions are read in full before attempting to assemble this product. Please check the pack contents before attempting to assemble this product. A full checklist of components is given in this leaflet. If any components are missing, please contact us.

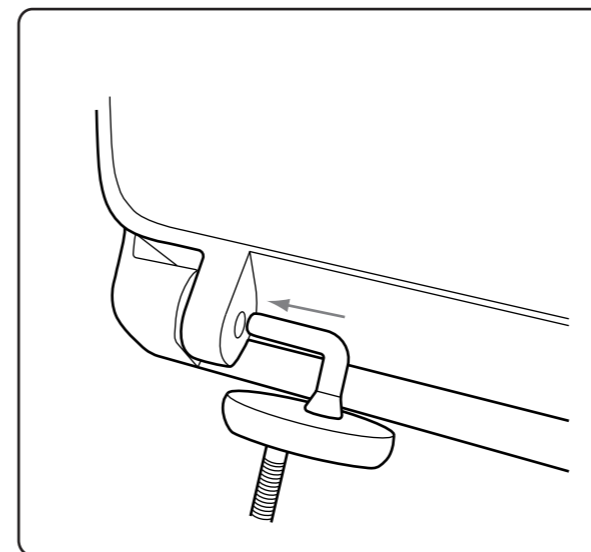
Safety instructions

This fixing pack contains small items that should be kept away from children. Periodically check all fixings to ensure none have come loose and re-tighten where necessary. Please take care when handling or moving the toilet seat as careless handling may cause damage or injury. The toilet seat can be dangerous if incorrectly installed. Assembly should be carried out by a competent person. No liability will be accepted for damage or injury caused by incorrect product installation or assembly.

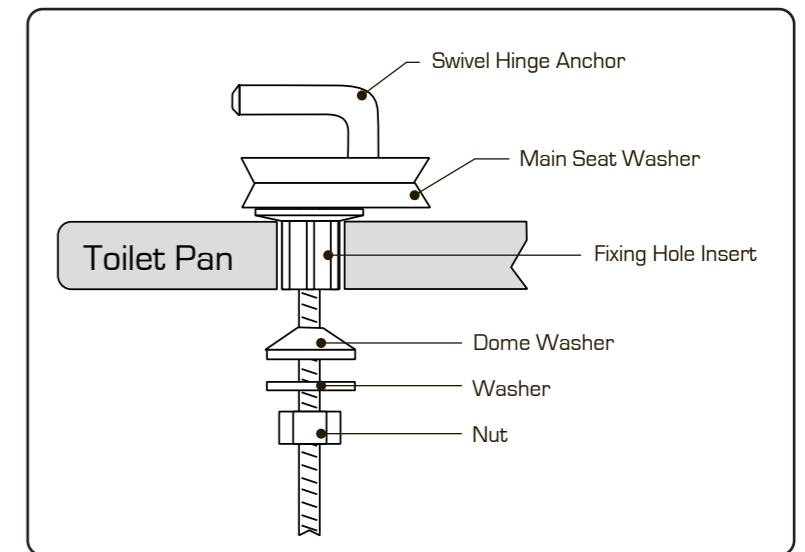
Fittings and parts checklist



Step by step assembly instruction



Insert the swivel hinges into the seat fixing holes either side of the lid and base.



Bolt the seat to the pan using the fixings in the configuration shown in the diagram above. Once seat is in desired position fully tighten the nut using the fixing key supplied.

Adjustment

<p>View of underside of hinge body.</p> <p>Align the seat on the pan by adjusting the fixing bolts position. Adjustment can be made by rotating the disc (A) inside the hinge anchor and/or sliding the fixing bolt backwards and forwards in its slot (B).</p>	<p>Fig 1</p> <p>For minimum seat projection fit the hinge anchors as shown in Fig. 1</p>
	<p>Fig 2</p> <p>For maximum seat projection fit the hinge anchors as shown in Fig. 2.</p>

Care and maintenance

After a few days check that the fixings are still tight. This is necessary as the rubber components will compress during the first few days. Clean surfaces with a soft damp cloth and mild soap solution. Do not scrub or scour. Do not use abrasive cleaning agents. Do not stand on the lid or ring of your toilet seat. When using abrasive, corrosive or chlorine-based cleaners for the toilet bowl, ensure that these do not come into contact with the seat. Also keep the seat and cover in an upright position until all cleaner has been flushed away. Failure to do so can lead to discolouration of surfaces or rusting of metal parts which will not be covered by the guarantee.

Customer Services:

Brassmill Lane Trading Estate, Bath, BA1 3JF | T. 01225 303900 | F. 01225 448877