

# INSTINCT®



## Polished Radiator Valves

handwheel & lockshield

# polished radiator valves



## DESIGN

The INSTINCT® range of polished radiator valves are of durable construction giving dependable performance on domestic applications and in particular in bath and shower rooms.

Their smooth polished chrome finish and easy clean design makes them ideally suitable for use with towel rails and radiators in bath and shower rooms.

The polished chrome finish compliments white, chrome and other modern coloured towel rails and radiators.

The valves can also be used to provide isolation and regulation on radiators in other rooms with a more stylistic modern decor.

The inlet connection to all valves is 15 mm compression to BS EN 1254, for use with half hard R250 copper tube to BS EN 1057, and the outlet connection is a union tailpipe with ½" external pipe thread to BS EN ISO 228.

## MATERIALS OF CONSTRUCTION

Body	Brass	BS EN 12164 CW617N
Union nut	Brass	BS EN 12164 CW617N
Tailpiece	Brass	BS EN 12164 CW614N
Olive	Brass	BS EN 12164 CW617N
Seals - 'O' rings	EPDM	
Disk facing	EPDM	
Body finish	Chrome Plated	

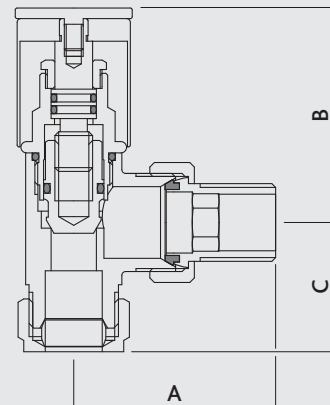
## TECHNICAL SPECIFICATION

Max. working pressure (static):	10 bar
Max. temperature:	100 °C
Medium:	water, glycol solution
Max percentage of glycol:	30%

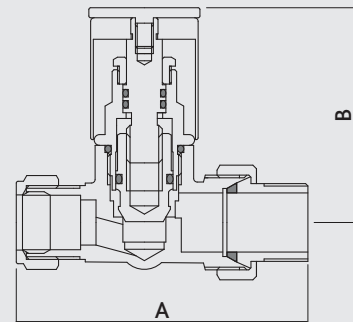
Prod Code	Description
INST-AL025LC	15 mm x ½" angled modern
INST-AL024LC	15 mm x ½" straight modern

All valves supplied as a pair of wheelhead and lockshield valves.

## DIMENSIONS



Prod Code	A	B	C
INST-AL025LC	53.5	56.5	34



Prod Code	A	B
INST-AL024LC	87.5	61

Altecnic Ltd Mustang Drive, Stafford, Staffordshire ST16 1GW

T: +44 (0)1785 218200 E: sales@altecnic.co.uk

Registered in England No: 2095101

[altecnic.co.uk](http://altecnic.co.uk)

AL 331 27-02-19

E & O.E

© Altecnic Limited. 2019

ALTECNIC™

**INSTINCT®**