

SINGLE DOOR QUADRANT

1.

IMPORTANT

Please familiarise yourself with the fitting instructions before commencing fitting.

- 1 Check that you have the tools required
- 2 Check that the installation site is compatible with size of door supplied
- 3 Check all the enclosure components
- 4 Check that the installation kit is complete

DO NOT attempt to install the product unless you can tick **ALL 4** boxes as satisfactory.

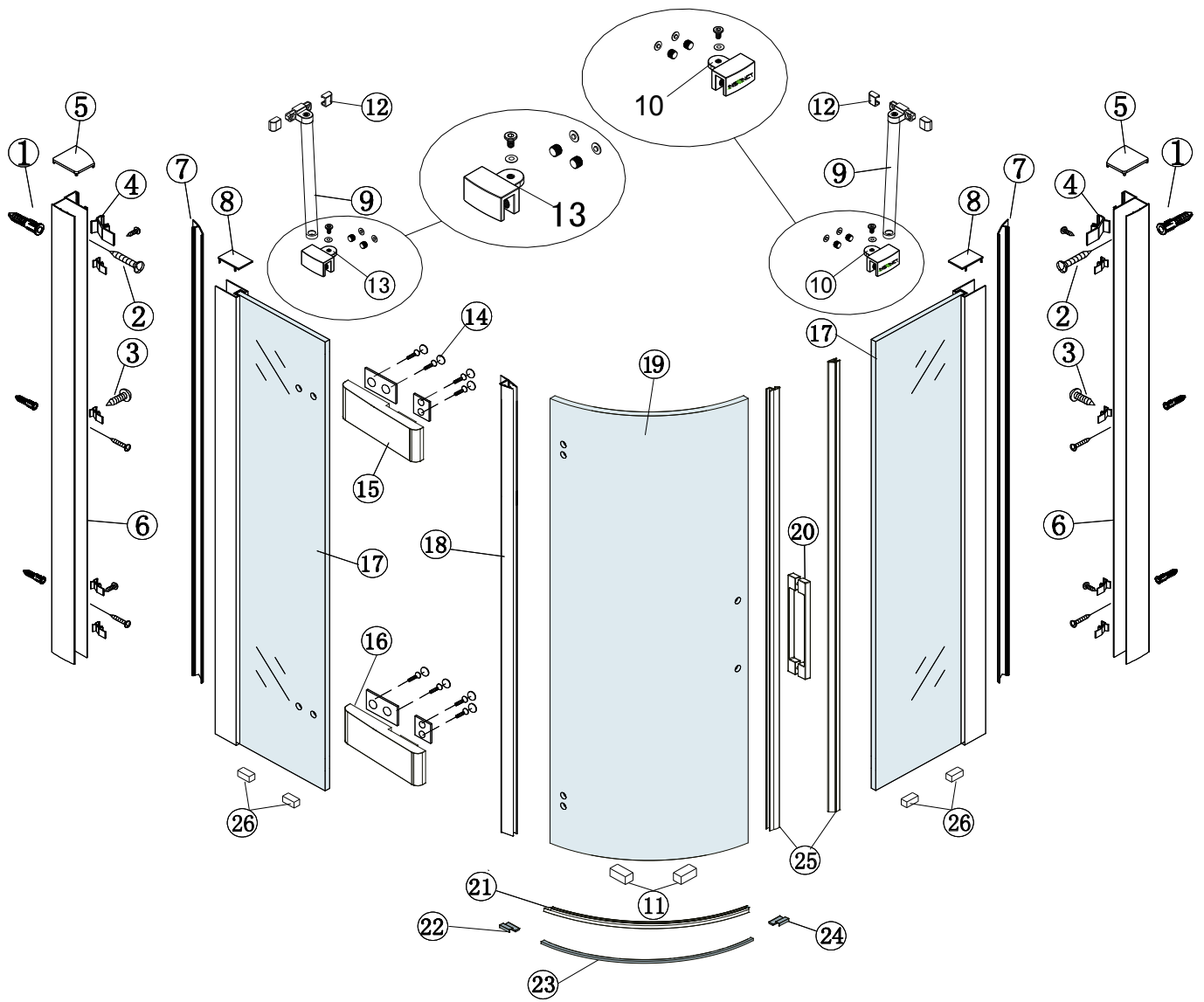
The wall plugs supplied with the installation kit are for use in solid walls. Hollow or 'stud - partition' walls will require alternative fixings. Please consult a hardware supplier for the correct type.

It may also be necessary to consult your tiling supplier about the correct method for drilling your tiles.

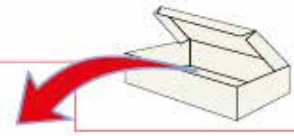
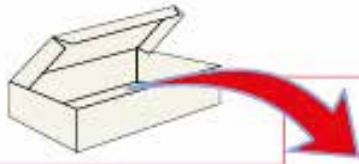
USE SAFETY EYEWEAR WHEN DRILLING


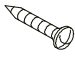
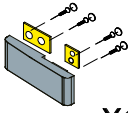
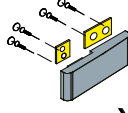
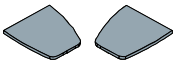
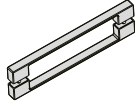
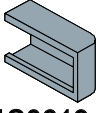
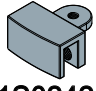


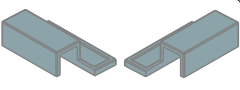


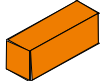
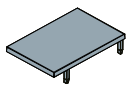
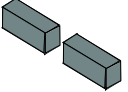
Any parts missing or damaged must be reported to your supplier within 5 days of purchase. Inspect shower enclosure before fitting. No claims will be accepted after product has been installed.

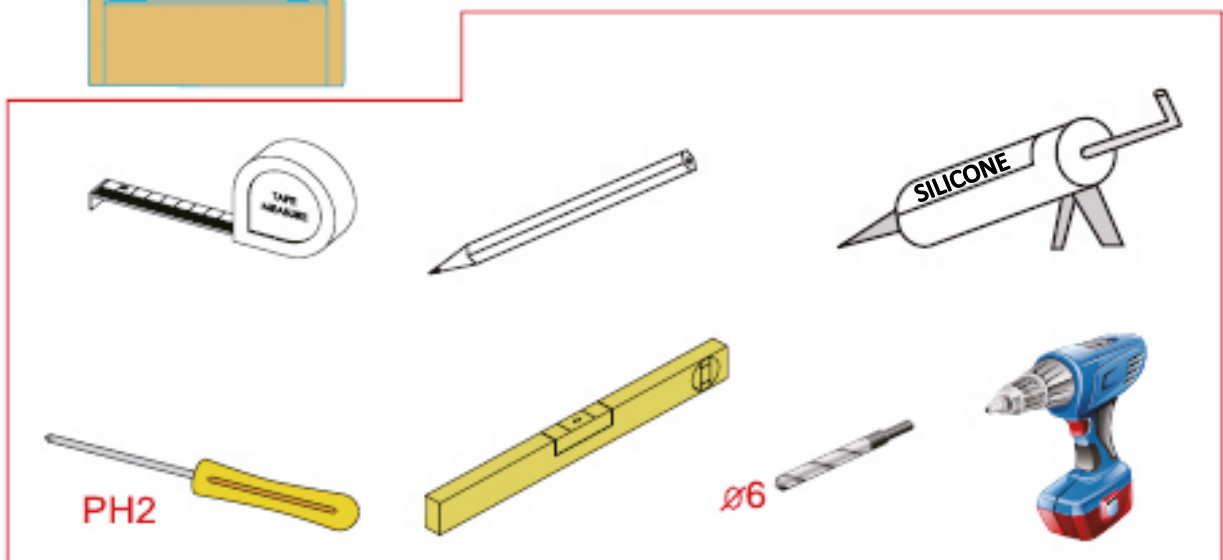
ATTENTION: TAKE EXTREME CARE WHEN HANDLING GLASS, WEAR PROTECTIVE EYEWEAR AND CLOTHING. DO NOT LEAVE THE GLASS ON HARD SURFACES AND AVOID CONTACT BETWEEN THE GLASS EDGES AND HARD SURFACES OR IMPACTS DURING THE INSTALLATION.

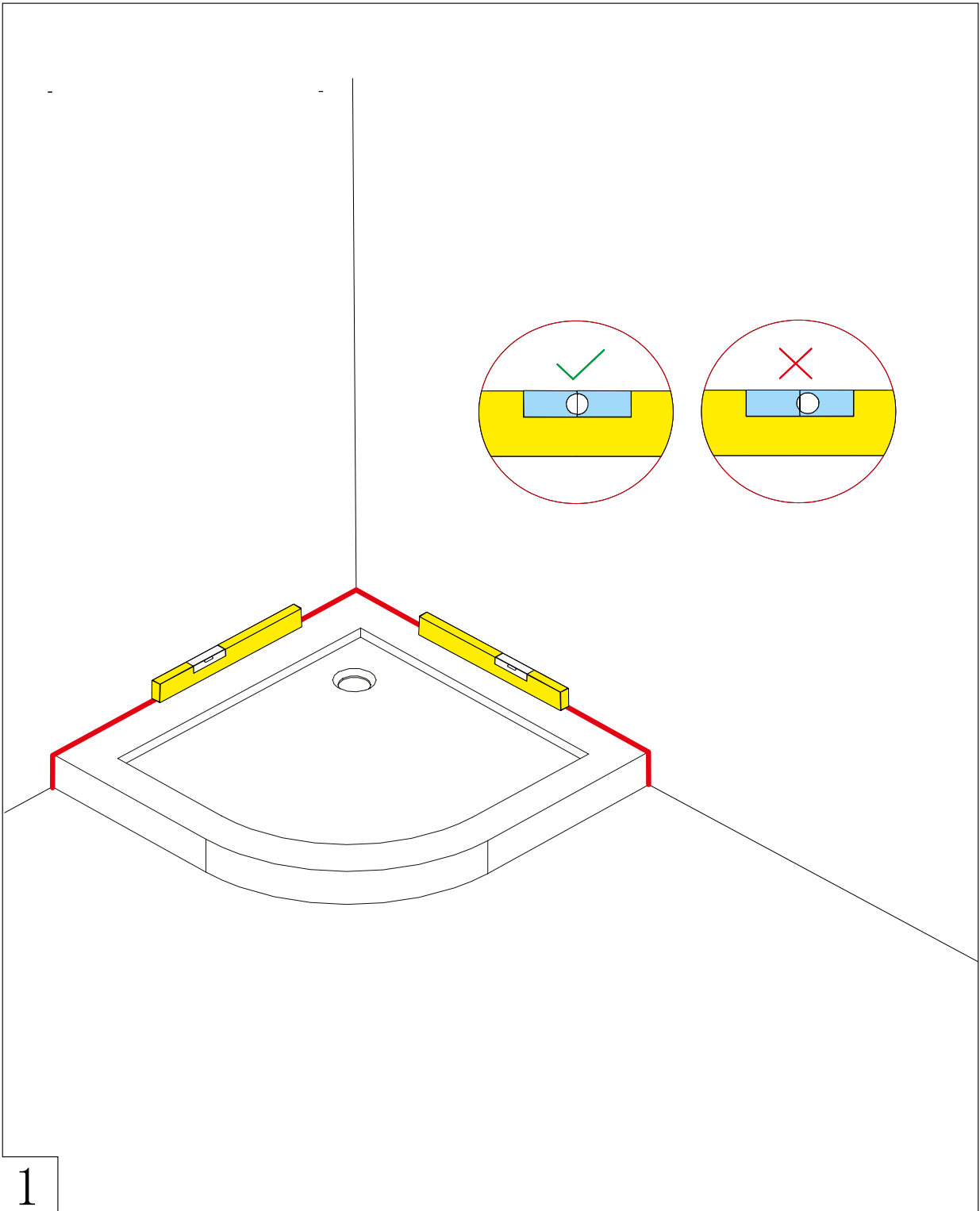


No.	Qty	Description	Part No.	No.	Qty	Description	Part No.	No.	Qty	Description	Part No.
①	10	Wall plug	SP0D1123	⑪	2	Moving panel spacer	A01S0213	⑳	1	Bottom seal	INSQBMSL
②	10	Pan head screw 4 x 30	SP0D0ST430	⑫	2	Bracing bar cover cap	A01S0619	㉑	1	Fixed panel footplate	INSQFPL
③	6	Pan head screw 4 x 12	SP0D0ST412	⑬	1	Bracing bar clamp	A01S0243	㉒	1	Threshold	INSQLUNA
④	10	Cover strip clip	A01S0116	⑭	8	Hinge cover cap	SP0D2019	㉓	1	Closing post footplate	INSQFPR
⑤	1	Wall profile cover cap	A01S0190	⑮	1	Hinge 1	INSQHNG1	㉔	1	Magnet seal set	A01S0635
⑥	2	Wall profile	A01S0177	⑯	1	Hinge 2	INSQHNG2	㉕	2	Fixed panel block	A06S0063
⑦	2	Cover strip	A01S0115	⑰	1	Fixed panel	C				
⑧	1	Upright profile cap	A01S0188	⑱	1	Moving panel hinge seal	A01S0633				
⑨	1	Bracing bar	A	㉑	1	Moving panel	B				
⑩	1	Bracing bar clamp	A01S0242	㉒	1	Handle	A01S0235				



 SP0D1123 X8	 SP0D0ST430 X8	 X1	 X1
 A01S0190 X1	 A01S0235 X1	 A01S0619 X2	 A01S0242 X1
 MG3MMALKEY X1	 A01S0102 X1	 X1	 SP0D0ST412 X6
 SP0D2019 X8	 A01S0213 X2	 A01S0188 X2	 A06S0063 X2



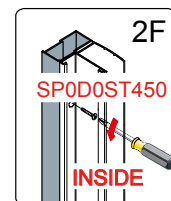
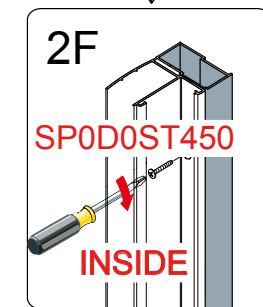
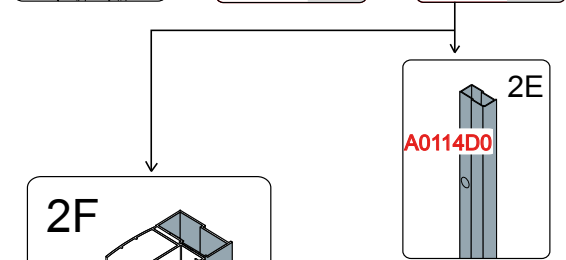
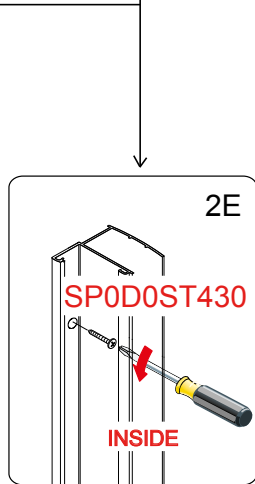
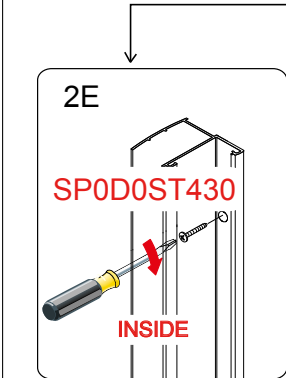
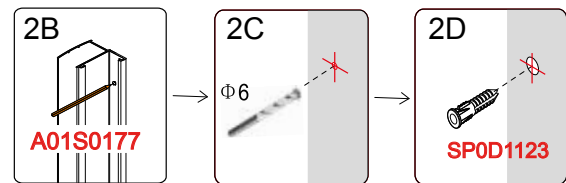
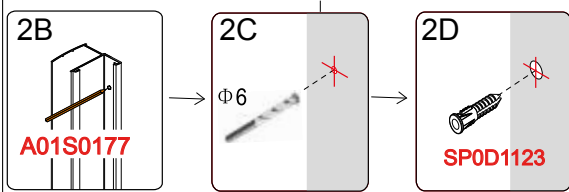
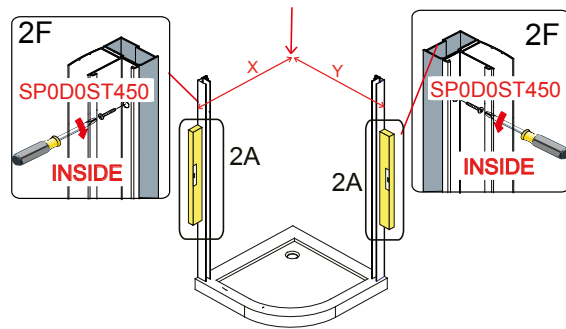
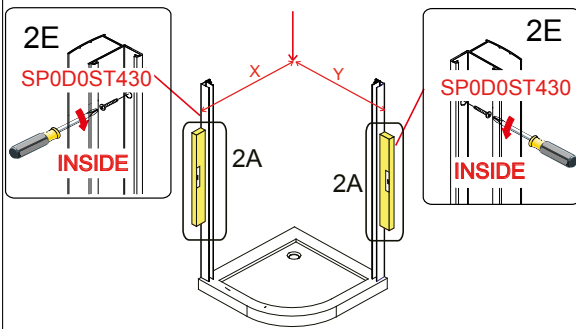


Option A

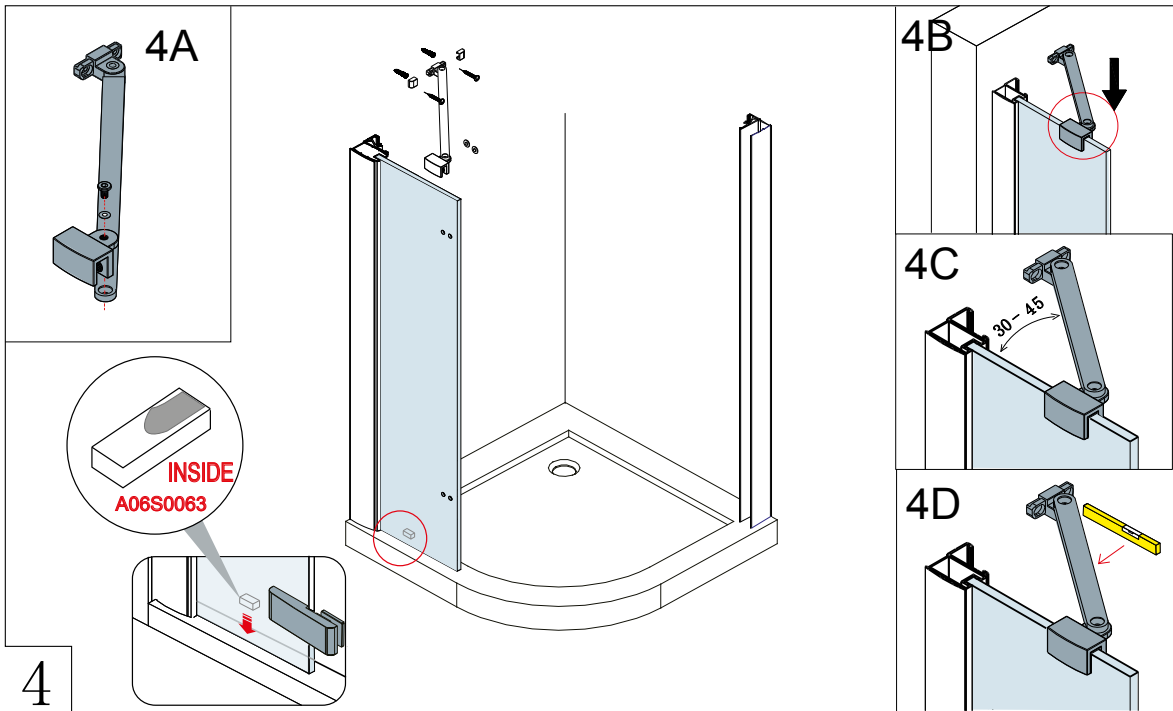
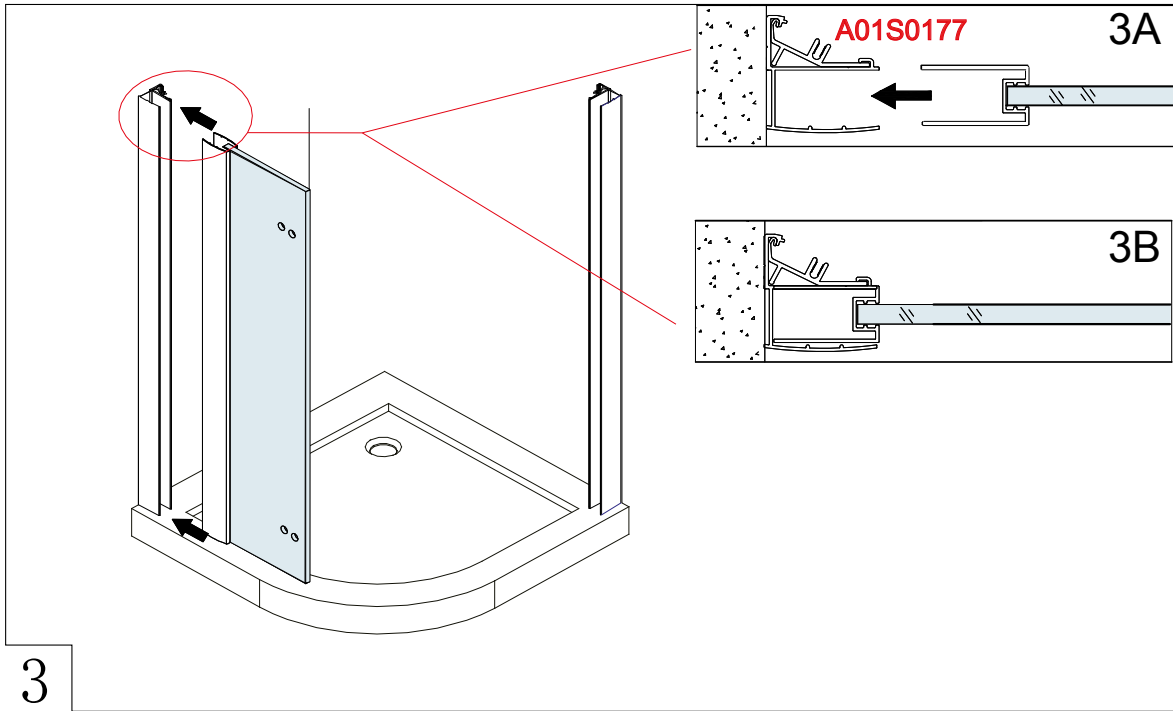
Size	Y
900	849-869
1200	1149-1169
Size	X
900	849-869
1200	1149-1169

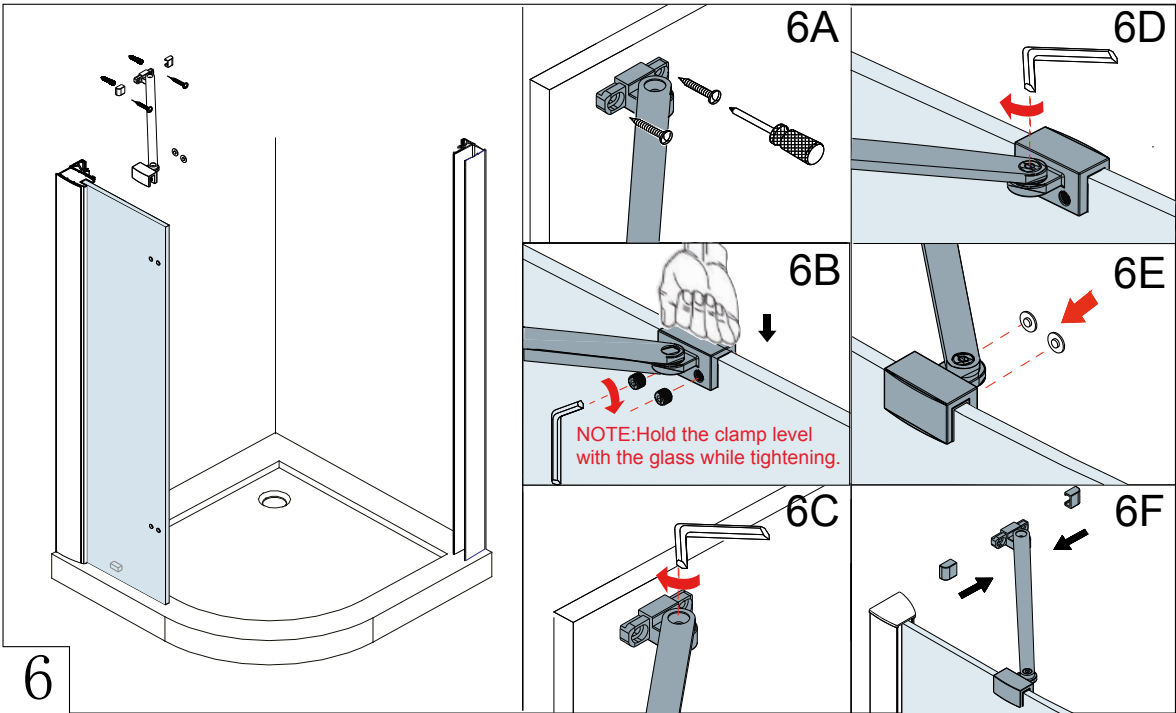
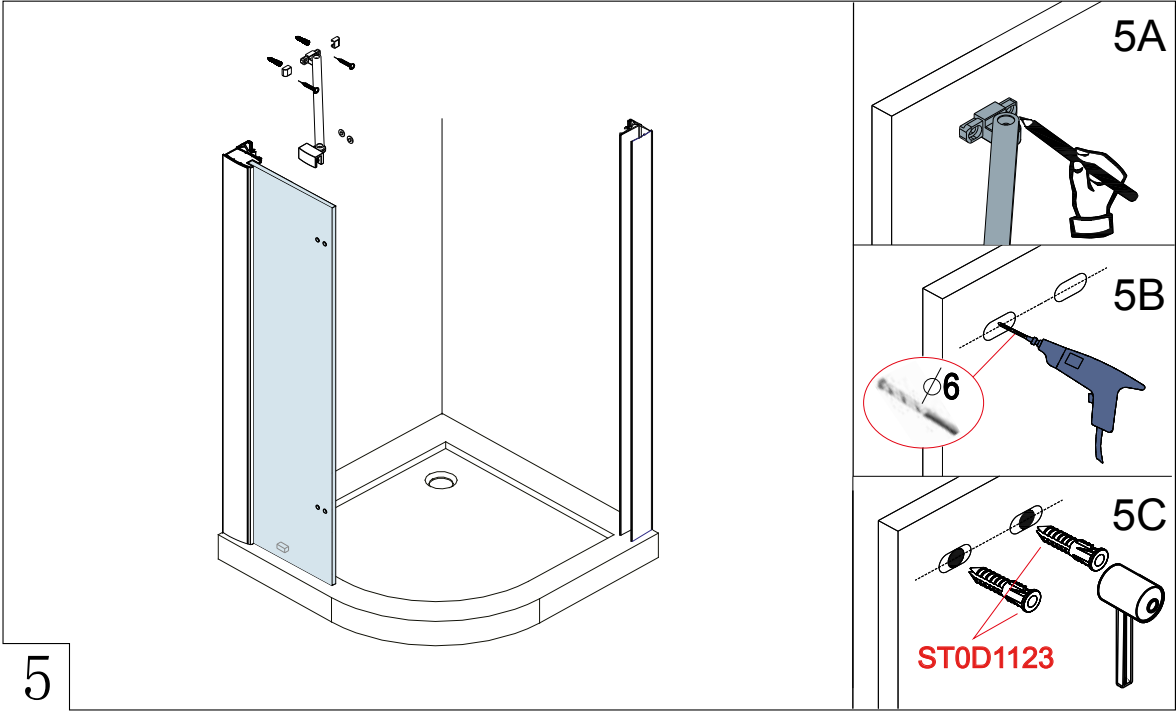
Option B

Size	Y
900	869-889
1200	1169-1189
Size	X
900	869-889
1200	1169-1189

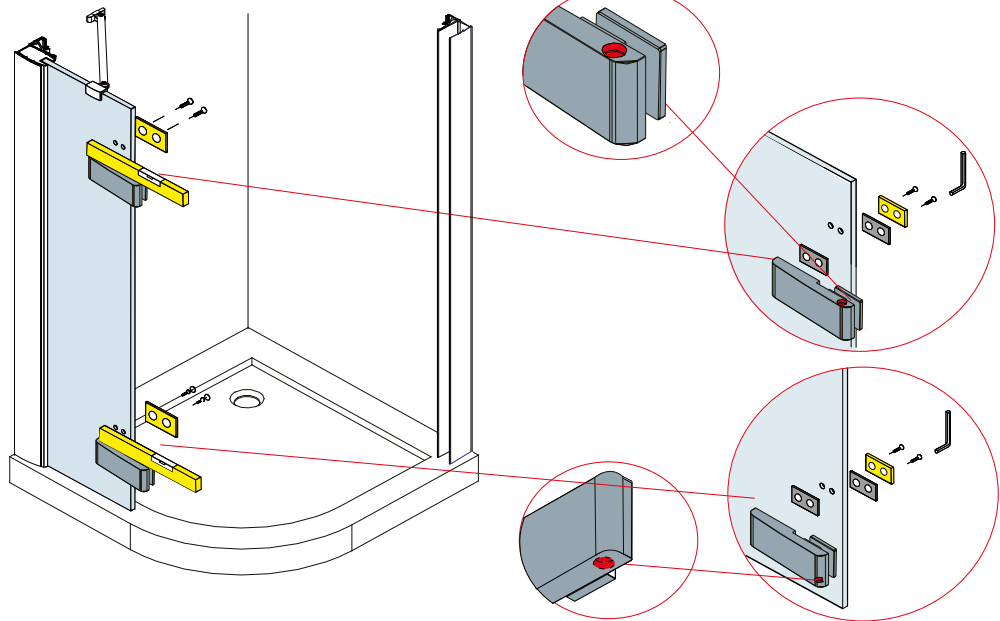


2

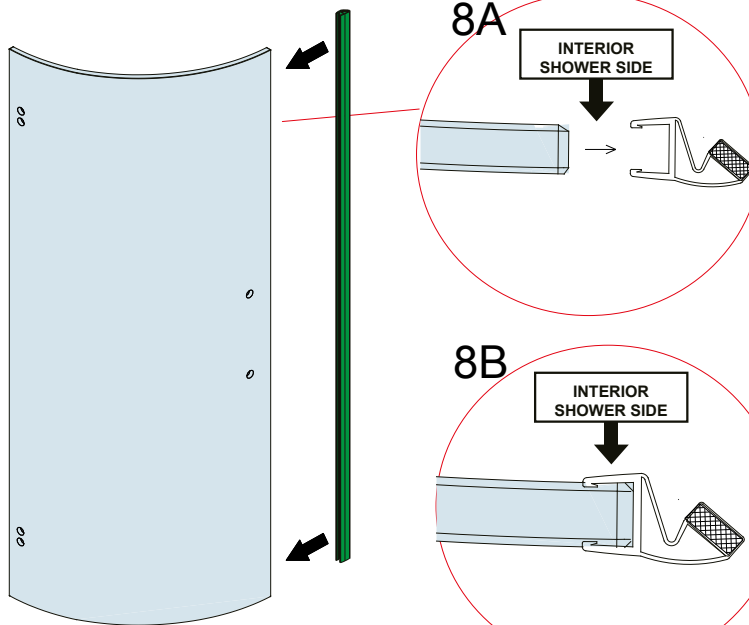




NOTE: Ensure the hinge pins (red) are in correct position and both hinges are level.



7



NOTE: when fitting the moving panel magnet seal ensure the bottom is flush with the bottom of the glass.

8

9.

