

INSTINCT®

shower valves - Kiso Thermostatic Shower valve and kit

Introduction

Introducing the Kiso Thermostatic Bar Shower. Featuring proven anti scald technology and a safe touch body maintaining a cool surface temperature of the shower body during operation. The Kiso is also supplied with easy install fast fix brackets, a telescopic riser rail and a thin overhead soaker.



- Suitable for use with unvented supplies, combi boilers, gravity and mains pressure systems
- Thermostatic Control
- Safe-Touch Body
- Anti-Scald Technology
- Fast Fix Brackets
- Large Thin Overhead Soaker
- Smooth Hose
- Metal Handles

Product Range

Description	Code
Kiso safe touch thermostatic shower with telescopic riser, thin overhead soaker, slide rail kit and fast fix brackets	IN20018CP



includes fast fix brackets



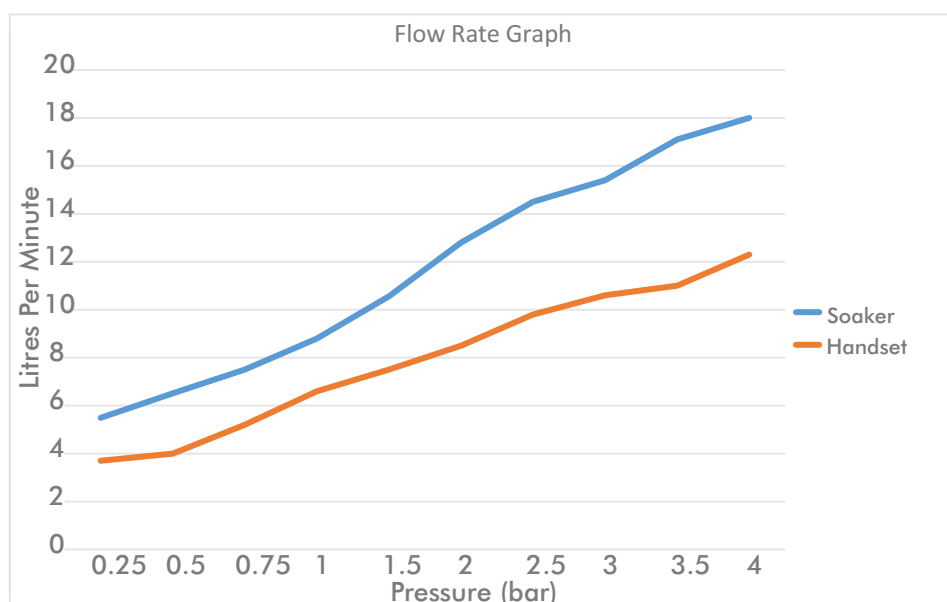
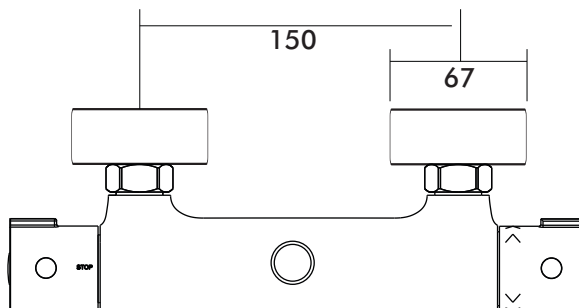
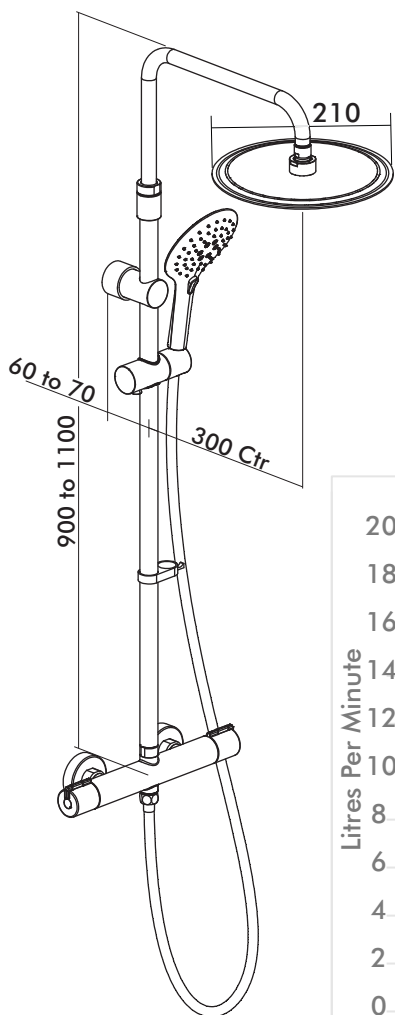
INSTINCT®

INSTINCT®

shower valves - Kiso Thermostatic Shower valve and kit

Technical Specification

Max Inlet Pressure (static)	5 Bar
Min Inlet Pressure (dynamic)	0.4 Bar
Max Inlet Temperature	85°C
Factory Pre-set Temperature	38°C with max temp stop
Inlet Connections (Fast Fix)	15mm compression
Outlet Connections	G 1/2" BSP
Min Temperature differential to achieve hot or cold failsafe	15°C
System Installation:	Unvented, Pressurised, Gravity and Combination Boilers



INSTINCT®