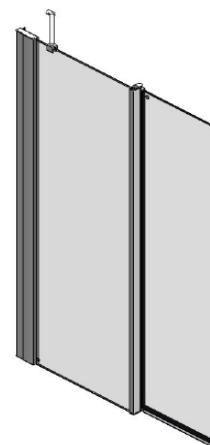


# INSTINCT®

## Inward Folding Bath Screen

### Instruction Manual

### IND9CS



### IMPORTANT INFORMATION

Be aware toughened glass can shatter if not handled correctly. It should not be subjected to any sharp impact and it is essential to protect the glass by resting it on a soft protective surface during installation such as cardboard or carpeting. It is recommended to wear PPE at all times during installation.



#### PRE-INSTALLATION CHECKS

1. Check you have the correct product. Please look at the labels on the side of the product packaging.
2. Check all the product components are in the box and the fixing kits.
3. Unpack your product and handle it with care.
4. Please check the product for defects or damage. once the installation has commenced we cannot accept responsibility for any defects or damage.
5. Please take time to read these instructions prior to installing your product.
6. Before you commence any drilling check there are no hidden electrical cables and/or water cables.
7. No attempt should be made to re-work the toughened safety glass.
8. The installation of the product should be performed by two persons.
9. It is strongly recommended that the walls the product is going to be installed on are vertical.
10. It is strongly recommended the product is fitted on a tiled surface or similar waterproof surface.
11. It is strongly recommended the walls are tiled and grouted before the product is installed.
12. If the walls and/or the tray are not level you will not achieve maximum adjustment of the product.
13. Pictures used are for illustration purposes only, product designs may alter slightly as a result of continuing product development.
14. We do not stipulate where the European Standard Kite Mark should be positioned on the glass when being factory assembled.
15. Please note that some natural misting may occur when you remove this product from its packaging, due to the addition of the glass protection pre-coating. If this does occur this can easily be removed with a soft, dry cloth.

#### Component Check List: Supplied

Description	Quantity
Wall Profile	1
Fixed Panel	1
Moving Panel	1
Deflector	1
Brace Bar Assembly	1

#### Fixing Kit Components

Description	Quantity
2.5mm Drill Bit	1
9mm Screws	3
40mm Screws	3
Screw Bases	3
Cover Caps	3
Top Cap (Left Hand)	1
Top Cap (Right Hand)	1
Wall Plugs (for brick and block only)	3
Branding Badge (where applicable)	1
4mm Allen Key	1

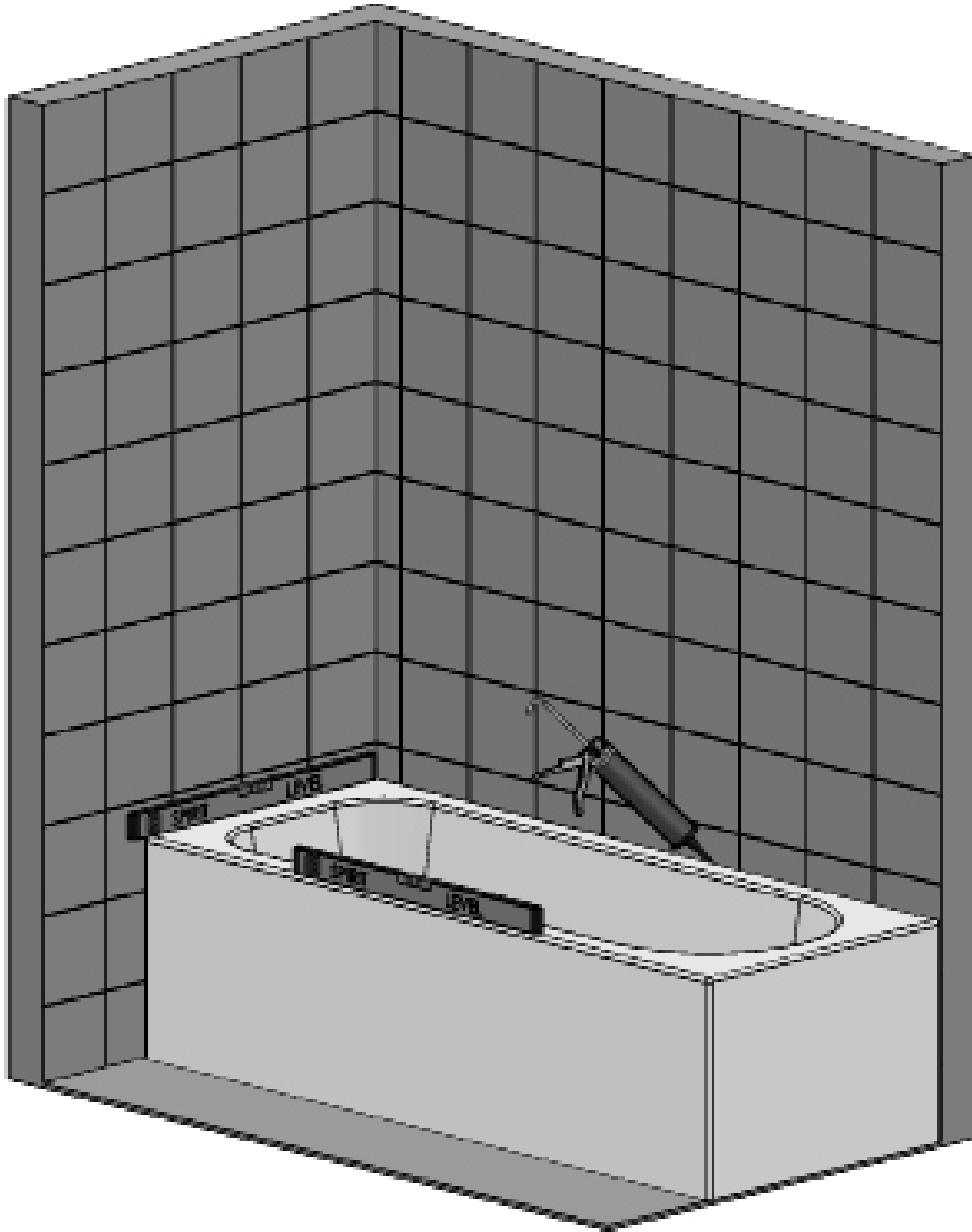
#### Equipment Check List: Not Supplied

Description
Electric / Battery Drill
6mm Masonry Drill Bit
Bathroom Sealant Gun
Bathroom Sealant
Screwdriver
Spirit Level
Tape Measure
Pencil
Wall Plugs (not supplied)
Stanley Knife / Snips

#### CONSUMER GUARANTEE

Please make sure the purchaser/end user completes and returns the guarantee card which is enclosed with this product. Failure to validate the Guarantee will mean only the 1 Year Statutory Guarantee will apply.

## IMPORTANT PRE-INSTALLATION CHECKS

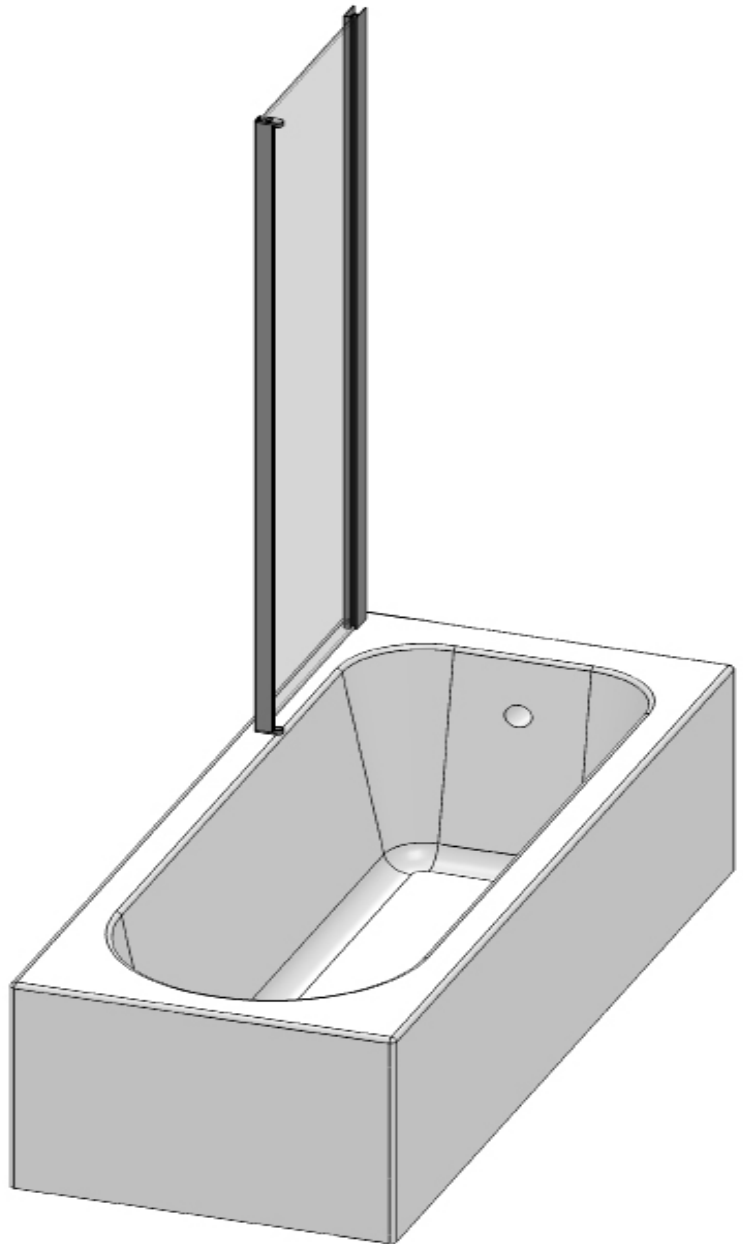
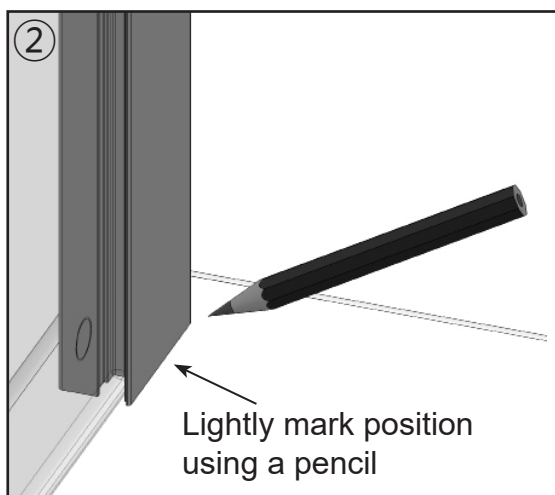
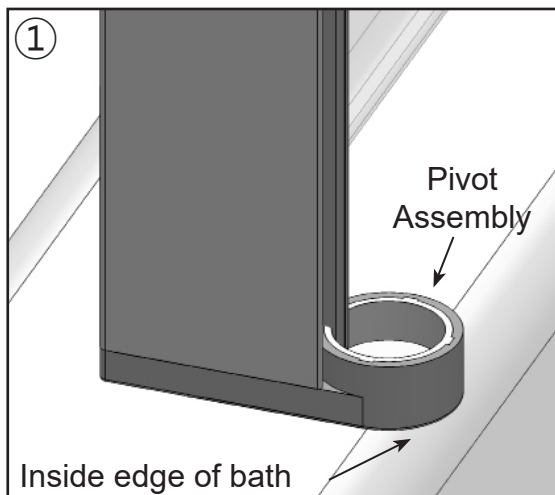
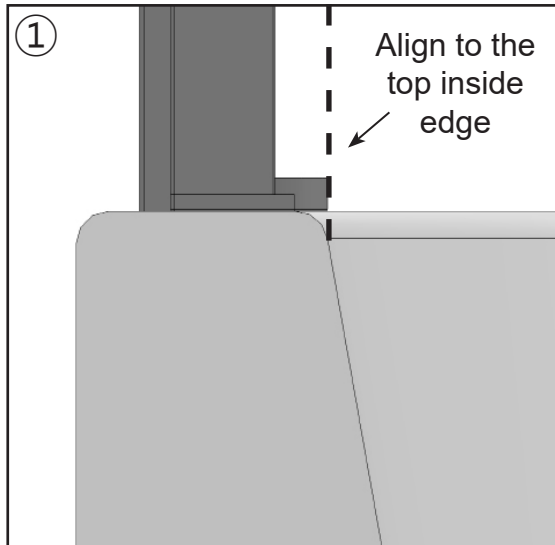


1. Ensure the bath is completely level.
2. Check for any movement in the bath by standing in it.
3. The walls should be tiled and grouted up to the bath.
4. Fill the bath with water and check the plumbing for leaks.
5. With the bath full of water, fully seal the bath along the tiled wall with a bathroom sealant (not supplied).
6. With the water still in the bath leave the sealant to cure for at least 24 hours.

- **Spray the seal and joints with the shower head and check for leaks when the silicon has cured.**
- **Check the plumbing for leaks.**
- **Do not plasterboard over the bath.**
- **Do not grout the tiles when the bath screen has been fitted, the grout may discolour the aluminium profiles.**
- **Make sure the bath is installed to the manufacturers instructions.**

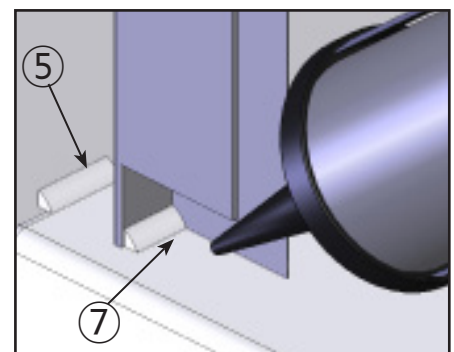
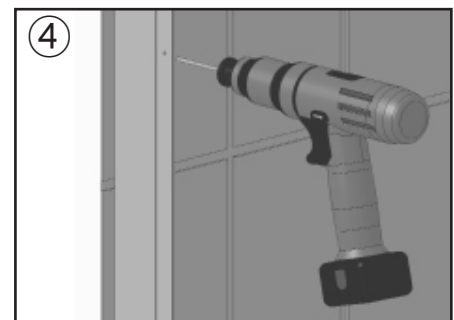
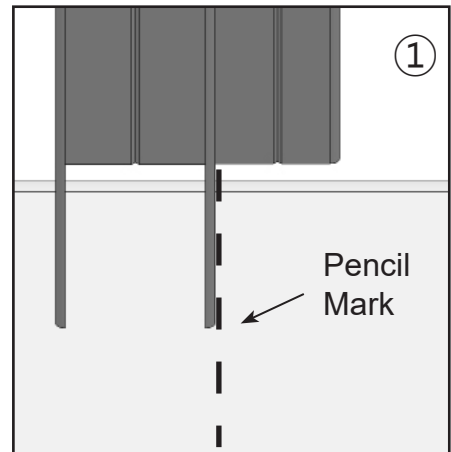
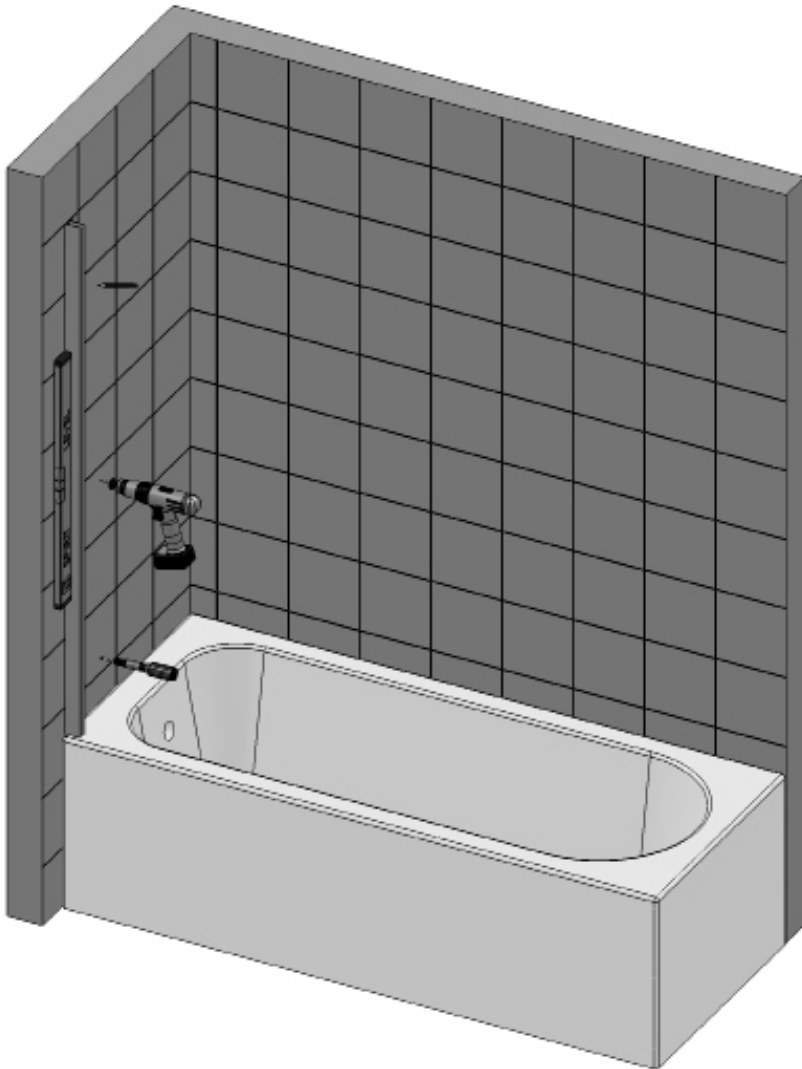
## Step 1 - Wall Profile Position

NOTE: Two people will be required to do the following procedures.



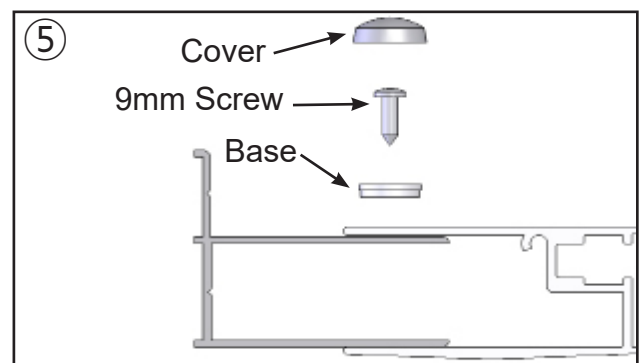
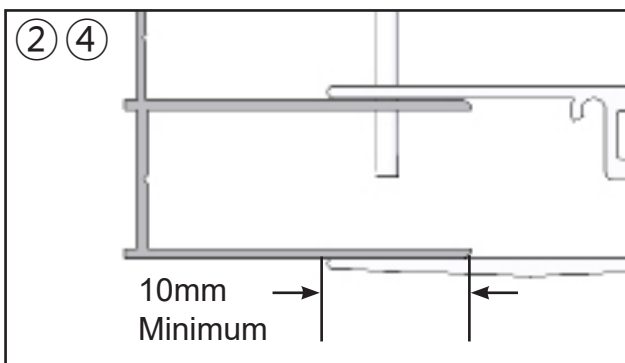
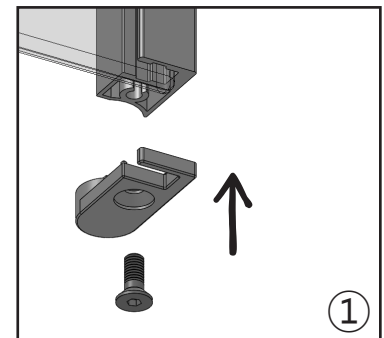
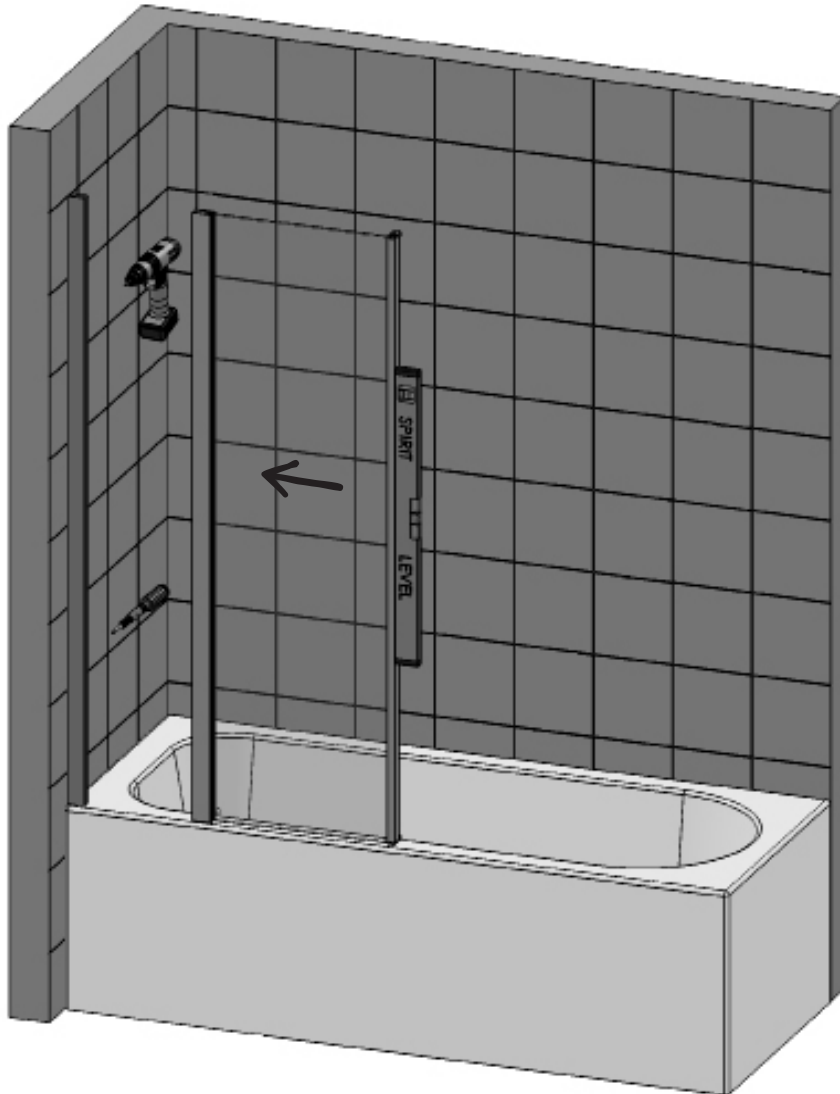
1. Dry fit the Bath Screen on top of the Bath. Position the Fixed Panel so that the curved face of the bottom Pivot Assembly falls in line with the inside of the Bath.
2. Using a pencil lightly mark where the aluminium vertical profile touches the Bath Top (use masking tape to protect the Bath), this will determine where you need to fix the Wall Profile in Step 2.
  - You must ensure the glass runs parallel to the outside edge of the bath before marking the Bath Top.
  - You will need help to hold the screen in position while you mark the tiled wall and bath top.
  - **IMPORTANT INFORMATION:** Failure to fit the fixed panel to the inside edge of the bath top will result in the bath screen leaking and will not be covered under the terms of the guarantee.

## Step 2 - Fixing Wall Profile



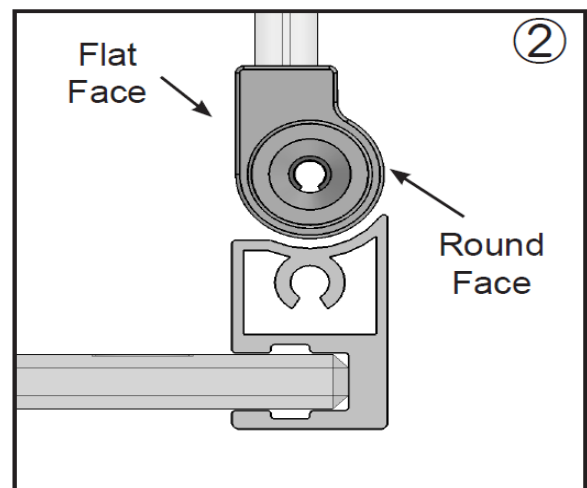
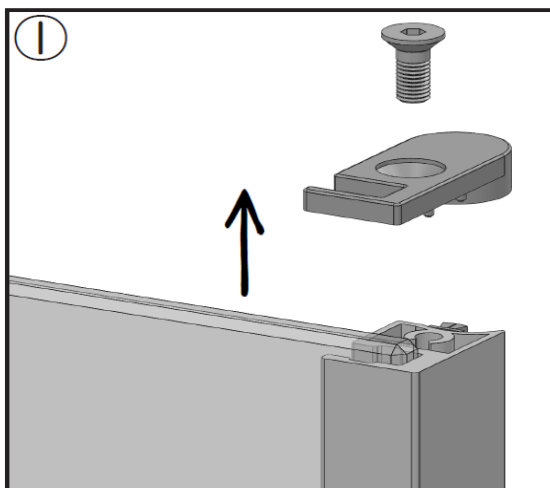
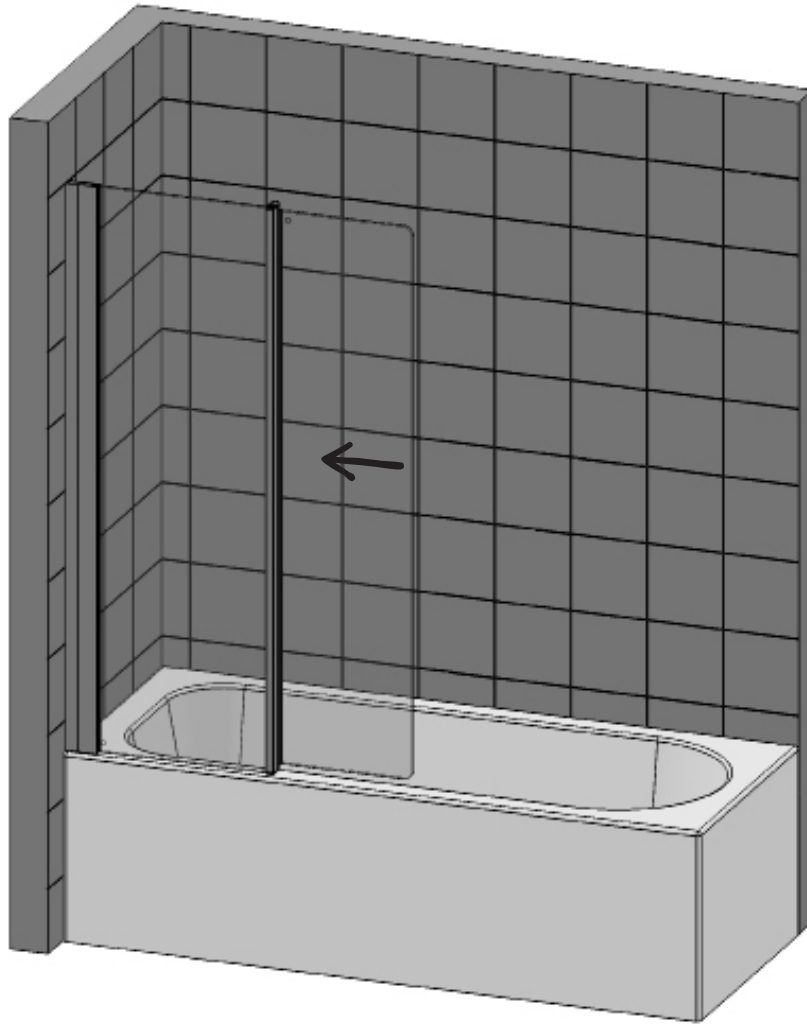
1. Position the inside edge of the Wall Profile onto the pencil mark you have just made.
  2. Make sure the Wall Profile is vertical using a spirit level.
  3. Using a pencil mark the locations for the drill holes through the holes of the Wall Profile.
  4. Drill the holes using a 6mm masonry drill (not supplied); push the wall plugs (supplied) into the drilled holes.
  5. Apply a bead of sealant the width of the Wall Profile at the bottom where the Wall Profile meets the tiled wall.
  6. Screw fix the wall profile to the wall using the 40mm screws (supplied) ensuring it is vertical.
  7. Apply a bead of sealant to the inside of the Wall Profile at the bottom where it meets the Bath top.
- **IMPORTANT: The Wall Profile must be completely vertical (the bubble should be in the centre of the 2 lines on the spirit level). The sealant must be applied in steps 5 and 7; failure to follow out this procedure may result in serious water damage and is not covered under the terms of the guarantee.**

## Step 3 - Fitting the Fixed Panel



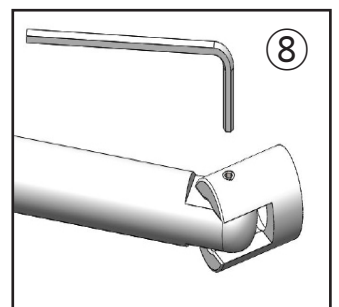
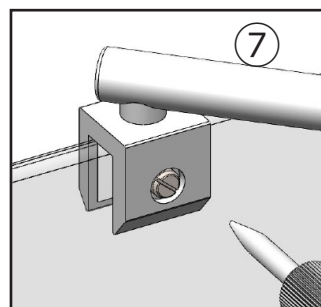
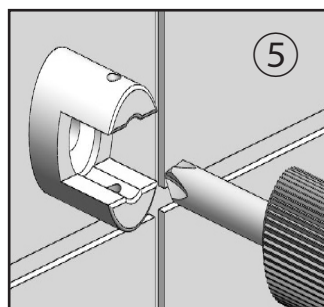
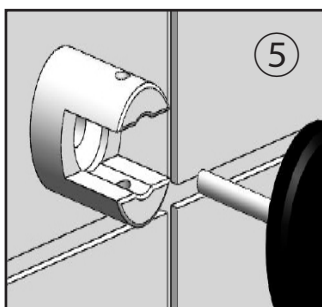
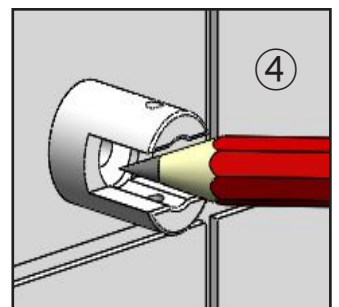
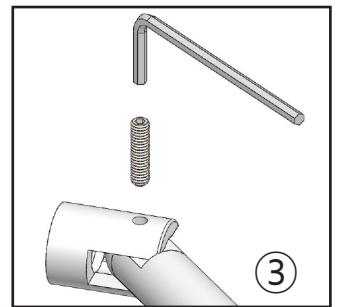
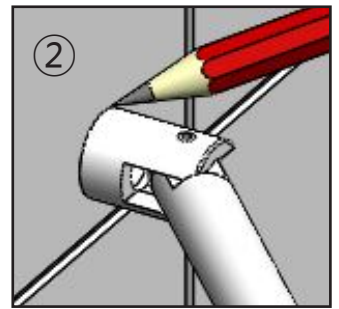
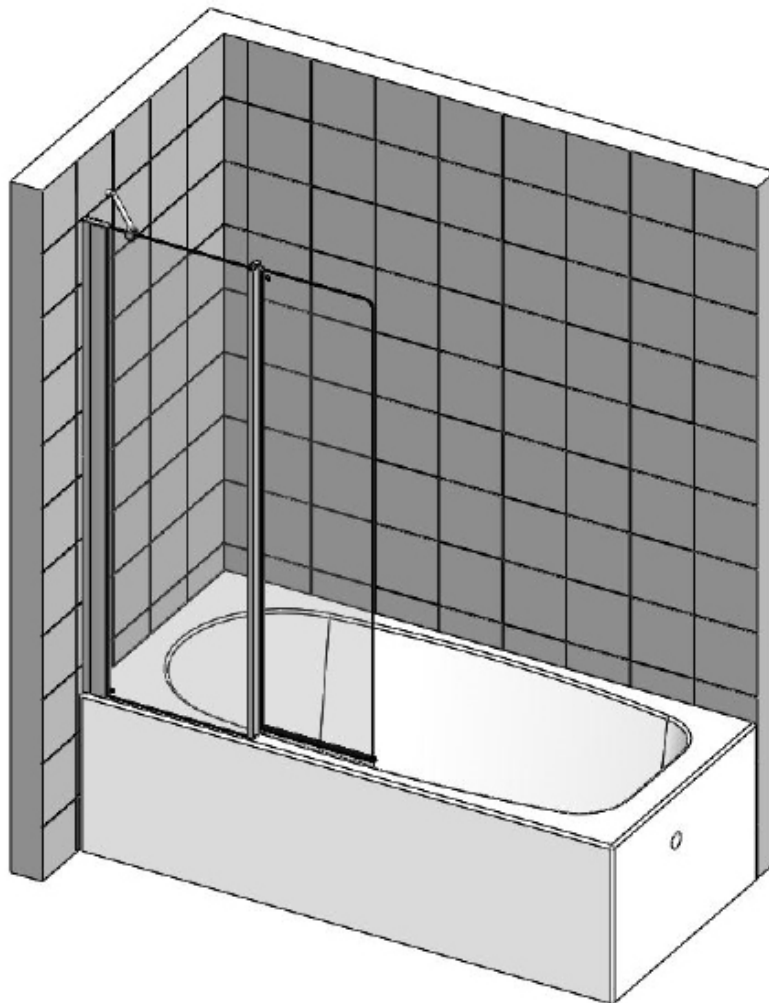
1. Before fitting the Fixed Panel, please ensure that the Bottom Pivot Assembly is fully tightened using the 4mm Allen key.
2. Slide the Fixed Panel fully over the Wall Profile, the Fixed Panel must overlap by at least 10mm.
3. Using a Spirit Level ensure the Fixed Panel is completely vertical and it is sitting down on top of the bath and is also parallel to the outside edge.
4. Drill three holes through the Fixed Panel into the Wall Profile with the 2.5mm drill bit (supplied).
  - **Ensure the Fixed Panel is sitting fully down on top of the bath and is completely vertical.**
5. Place the bases onto the 9mm screws and screw fix the Panel to the Wall Profile. Fit the Cover Caps.
  - **You will need help to hold the Fixed Panel in position while you drill and fix it.**

## Step 4 - Fitting the Moveable Panel



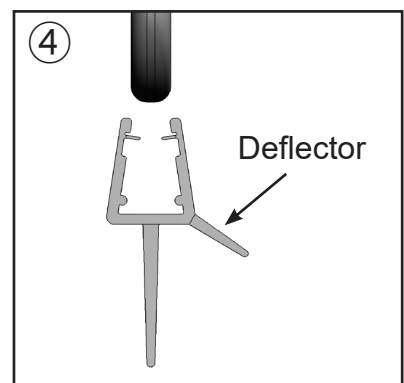
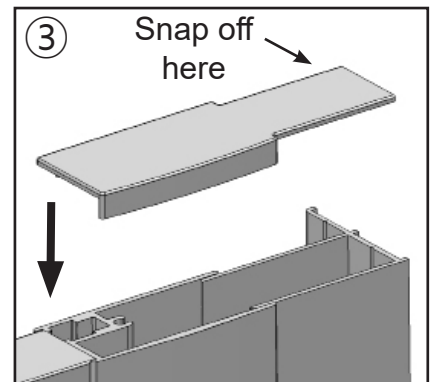
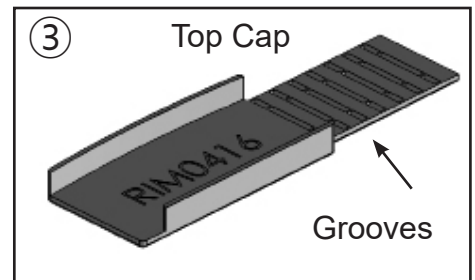
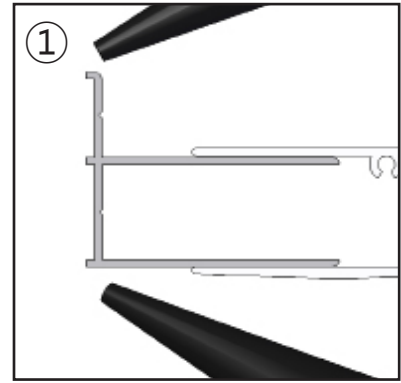
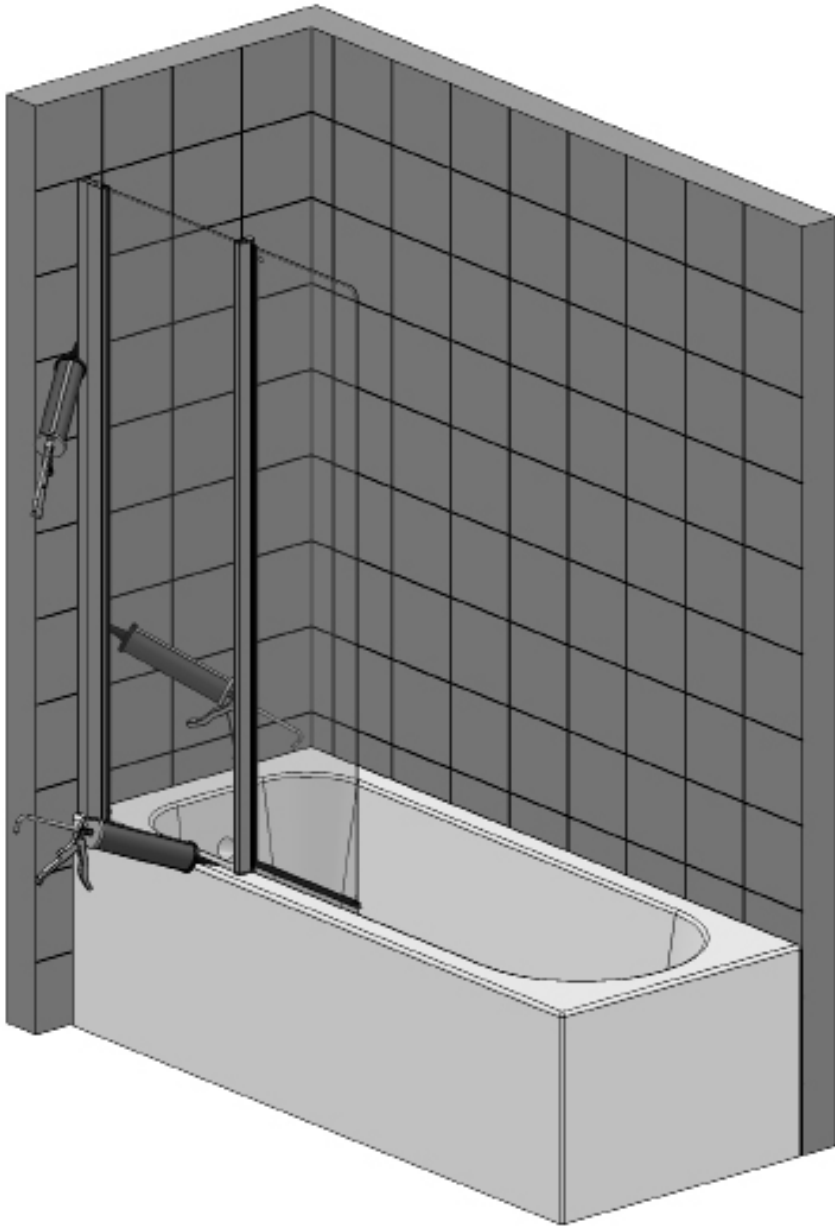
1. Using the 4mm Allen key (supplied) remove the countersink screw and Top Pivot Assembly from the Fixed Panel.
2. Ensure that the Moveable Panel is the correct way before fitting, the "P" shaped extrusion should be positioned so that the Flat Face is to the inside of the showering area and the Round Face to the outside.
3. Offer the Moveable Panel onto the bottom Pivot Assembly then reattached the top Pivot Assembly so the panel is then secured into position.
4. With the deflector facing inward push the Bottom Seal up onto the bottom of the Moveable Panel and also along until it butts up against the aluminium profile (trim to length if required).
  - **Please take care when cutting the bottom seal.**
  - **Make sure the bottom seal is butted up against the aluminium profile.**

## Step 5 - Fitting the Bracing



1. Place the Brace Bar over the top of the glass on the Fixed Panel; ensure the Brace Bar is completely level and in line with the panel.
2. Using a pencil, mark the wall around the swivel wall joint that is already fitted to the bracing.
3. Remove the Brace Bar from the panel and loosen the set screw at the end until the swivel wall joint can be removed.
4. Take the swivel wall joint and place it in the centre of your pencil mark on the wall, mark the wall through the hole in the swivel wall joint.
5. Drill the wall using a 6mm masonry drill (not supplied), then insert the wall plug and fix the swivel wall joint using the given screw.
6. Position the Glass Clamp to the required angle and tighten the allen key.
7. Position the Brace Bar back onto the Fixed Panel, sliding the spacers in between the glass and the glass clamp, this will ensure no metal parts touch the glass. Using a flat Screwdriver nip onto the Fixed Panel.
8. Slide the Brace Bar into the swivel wall joint, centering the holes. refit the set screw from step 3.
9. Once the Brace Bar is attached at both ends, tighten both of the screws from steps 7 and 8.

## Step 6 - Sealing

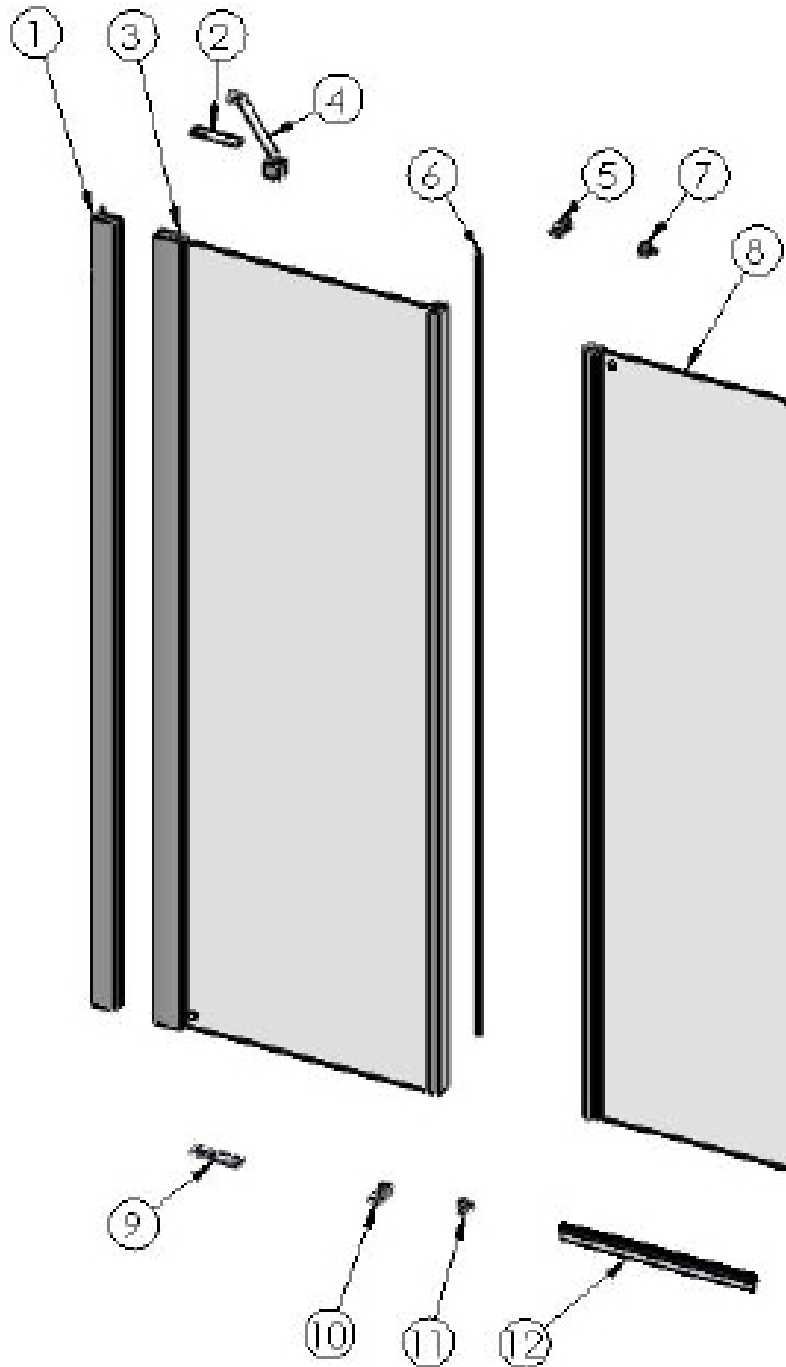


1. Seal both sides of the Wall Profile inside and outside only where it meets the tiles.
2. Fully seal the base of the Fixed Panel to the Bath top from the wall to the end of the Pivot Assembly.
  - **IMPORTANT: Do not seal the base on the inside.**
3. The Top Cap has grooves and can be shortened by snapping off at these points (adding a small amount of sealant will help keep the cap in place).
4. Fit the Deflector to the bottom, ensure it is fitted with the deflector part facing inward towards the bath. Push the Deflector up to the aluminium then trim the to length as required.
  - **NOTE: The Deflector is fitted to enable the water to be deflected back into the bath.**
5. Please allow 24 hours for the sealant to fully cure.
6. Ensure the Branding Badge is placed prominently on a none moving aluminium part (where applicable).



## Spare Parts

If you need to replace any damaged parts please see illustration below for parts list then call Customer Relations on 01325 328033



Part No.	Description	Q'ty	Part No.	Description	Q'ty	Part No.	Description	Q'ty
1	Wall Profile	1	11	Tube Cap (Left Hand)	1	21		
2	Top Cap (Left Hand)	1	12	Deflector	1	22		
3	Fixed Panel Assembly	1	13			23		
4	Brace Bar Assembly	1	14			24		
5	Pivot Assembly (Left Hand)	1	15			25		
6	Linear Seal	1	16					
7	Tube Cap (Right Hand)	1	17					
8	Moving Panel Assembly	1	18					
9	Top Cap (Right Hand)	1	19					
10	Pivot Assembly (Right Hand)	1	20					

## TROUBLE SHOOTING GUIDE

Problem	Solution
<b>Leaking</b>	<ol style="list-style-type: none"><li>1. Check the internal gap between the Bath and the Wall Profile has been sealed correctly.</li><li>2. Ensure the Bath is fully sealed along the tiled walls prior to installation.</li><li>3. If the Fixed Panel is sealed on the inside along the Bath top, this will cause leakage - sealant must be removed.</li><li>4. Ensure the Wall Profile on the tiled wall is sealed both vertically inside and outside.</li><li>5. Is the Wall Profile fitted where it was marked during the dry fit.</li><li>6. Ensure the deflector on the Deflector is facing inward towards the Bath.</li><li>7. Check that the bath is compatible with the bath screen I.e. Flat top bath, Non sculptured bath and no hand rails.</li></ol> <p><b>Important: This enclosure should be water tested conforming to BS EN 14428</b></p>
<b>Folding Bath Screen alignment on Bath</b>	<ol style="list-style-type: none"><li>1. Is the Bath Screen fitted onto a tiled wall?</li><li>2. Is the Wall Profile fitted where it was marked during the dry fit.</li><li>3. Is the Wall Profile completely vertical?</li><li>4. Has the Bracing been fitted, are all the screws tightened.</li></ol>

### Some important information to help you Maintain your product.

The following information is all you need to keep your product looking new.

Clean your product using a mild detergent diluted in water and then polished off using a soft cloth. If you live in a hard water area, periodically clean your product using a 50/50 solution of white vinegar and water. The solution should be left on the enclosure for approximately 5 minutes then rinsed off using warm water. This method of cleaning should remove lime scale residue.

### Simple Maintenance

Our products are generally maintenance free, however it may be necessary to lubricate wheel assemblies and other moving parts from time to time.

It is strongly recommended that a quality silicone spray is used.

### A list of Dont's:

1. Don't use acidic based products which are unsuitable for cleaning enamel surfaces.
2. Don't use abrasive cleaners or cleaners using bleach or solvents, these products will adversely affect the finish of the aluminium profiles.
3. Don't use scouring pads, powder or any sharp instruments when cleaning the enclosure.

Should you experience any problems during installation please refer to the Trouble Shooting Guide or contact Customer Relations on:

**+44 (0) 1325 328033**

To enable customer relations to provide you with an excellent level of service it is important that you quote your product Code and Reference Number - these can be found on the Guarantee card.