

INSTINCT®

Bath Screen

Instruction Manual

IND10CS



IMPORTANT INFORMATION

Be aware toughened glass can shatter if not handled correctly. It should not be subjected to any sharp impact and it is essential to protect the glass by resting it on a soft protective surface during installation such as cardboard or carpeting. It is recommended to wear PPE at all times during installation.



PRE-INSTALLATION CHECKS

1. Check you have the correct product. Please look at the labels on the side of the product packaging.
2. Check all the product components are in the box and the fixing kits.
3. Unpack your product and handle it with care.
4. Please check the product for defects or damage, once the installation has commenced we cannot accept responsibility for any defects or damage.
5. Please take time to read these instructions prior to installing your product.
6. Before you commence any drilling check there are no hidden electrical cables and/or water pipes.
7. No attempt should be made to re-work the toughened safety glass.
8. The installation of the product should be performed by two persons.
9. It is strongly recommended that the walls the product is going to be installed on are vertical.
10. It is strongly recommended the product is fitted on a tiled surface or similar waterproof surface.
11. It is strongly recommended the walls are tiled and grouted before the product is installed.
12. If the walls and/or the tray are not level you will not achieve maximum adjustment of the product.
13. Pictures used are for illustration purposes only, product designs may alter slightly as a result of continuing product development.
14. We do not stipulate where the European Standard Kite Mark should be positioned on the glass when being factory assembled.
15. Please note that some natural misting may occur when you remove this product from its packaging, due to the addition of the glass protection pre-coating. If this does occur this can easily be removed with a soft, dry cloth.

Component Check List: Supplied

Description	Quantity
Glass / Tube Assembly	1
Tube Cap (Left Hand)	1
Tube Cap (Right Hand)	1
Tube Seal	1
Main Vertical	1
Main Cap (Left Hand)	1
Main Cap (Right Hand)	1
Dam (Left Hand)	1
Dam (Right Hand)	1
Wall Profile	1
Bath Top Strip	1
Bottom Seal	1
End Cap	1
Top Cap	1

Fixing Kit Components

Description	Quantity
40mm Screws	3
Wall Plugs	3
9mm Screws	3
Coloured Caps and Bases	3
Setting Block	1
2.5mm Drill Bit	1
4mm Allen Key	1
Branding Badge (if applicable)	1
Alcohol Wipe	1

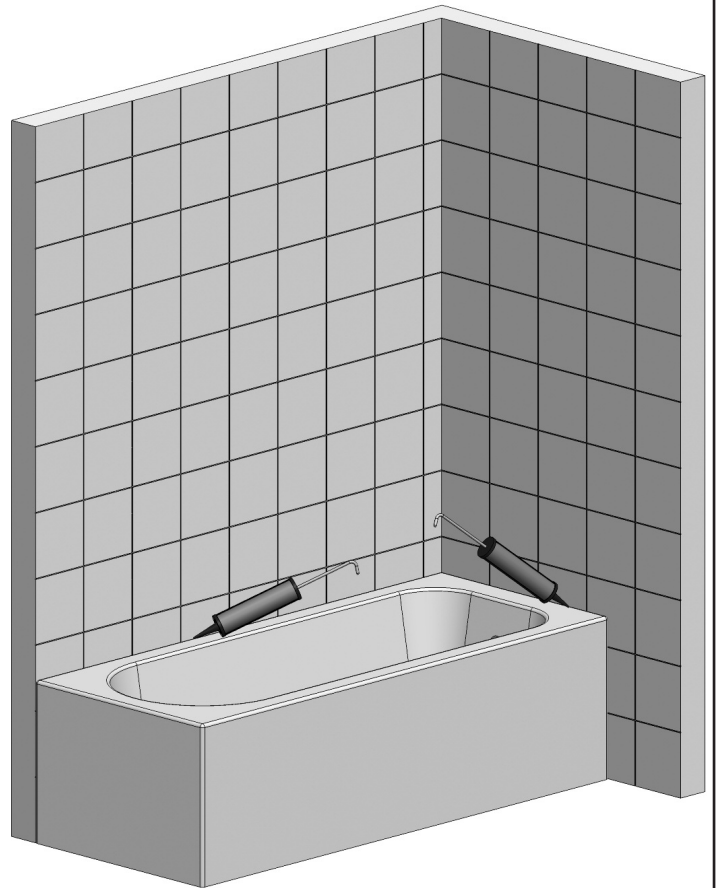
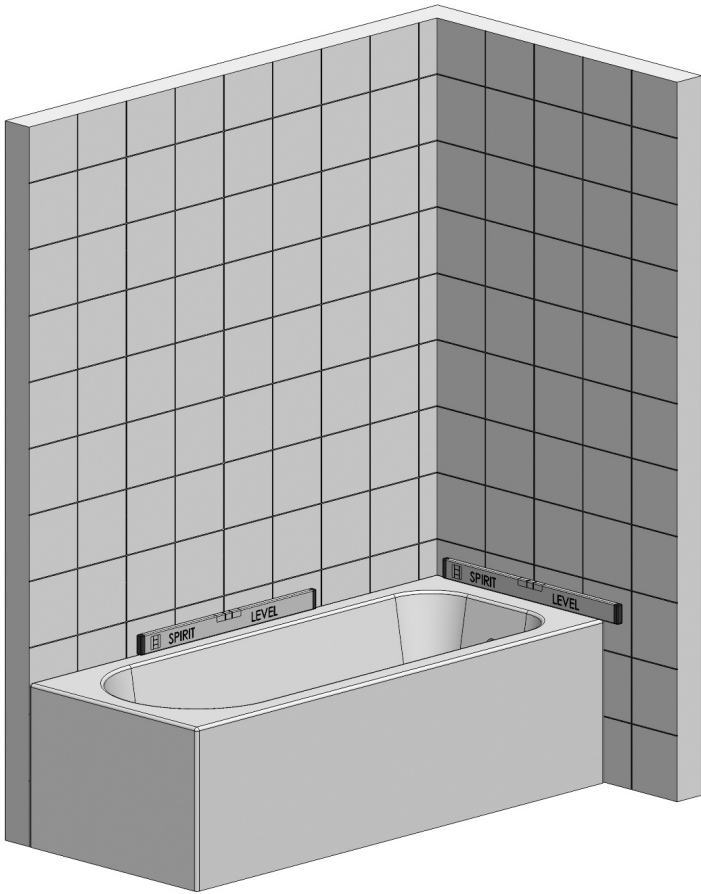
Equipment Check List: Not Supplied

Description
Electric / Battery Drill
6mm Masonry Drill Bit
Spirit Level
Pozi Screwdriver
Sealant Gun
Bathroom Sealant
Tape Measure
Pencil
Wall Plugs (for Plasterboard if required)

CONSUMER GUARANTEE

Please make sure the purchaser/end user completes and returns the guarantee card which is enclosed with this product. Failure to validate the Guarantee will mean only the 1 Year Statutory Guarantee will apply.

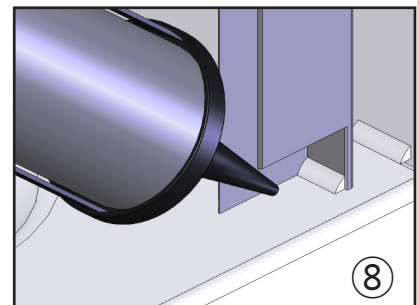
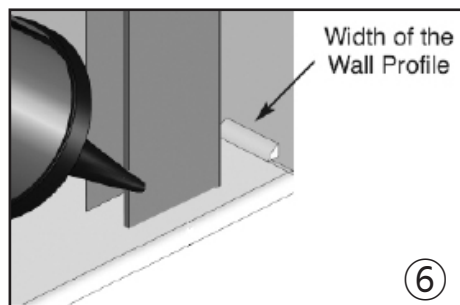
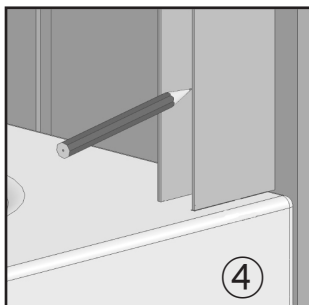
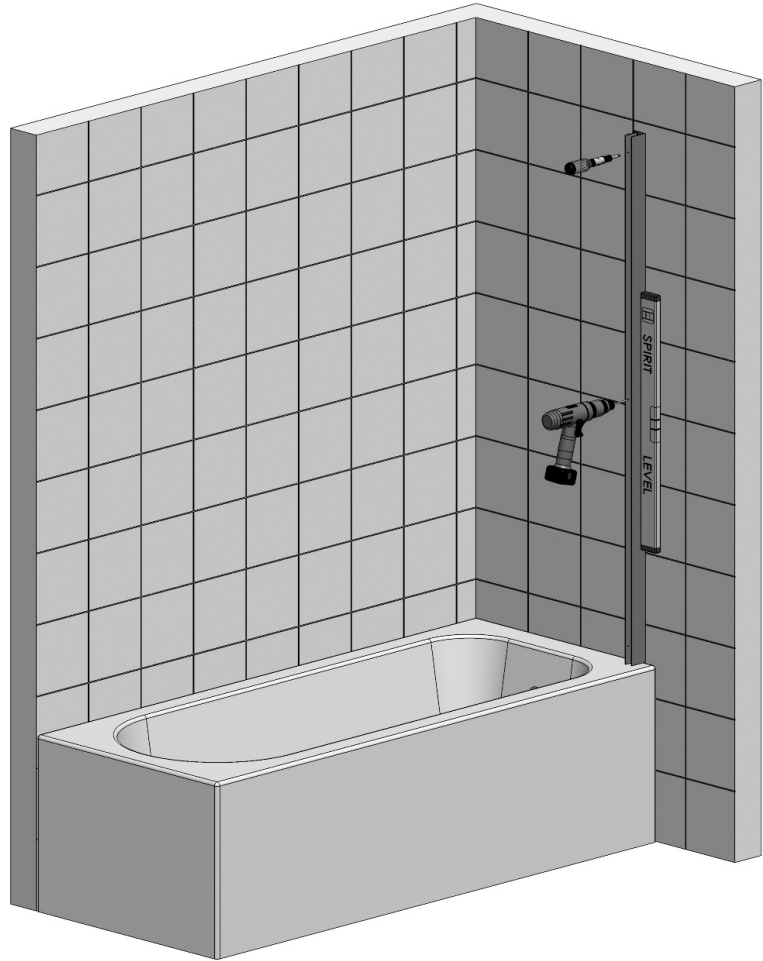
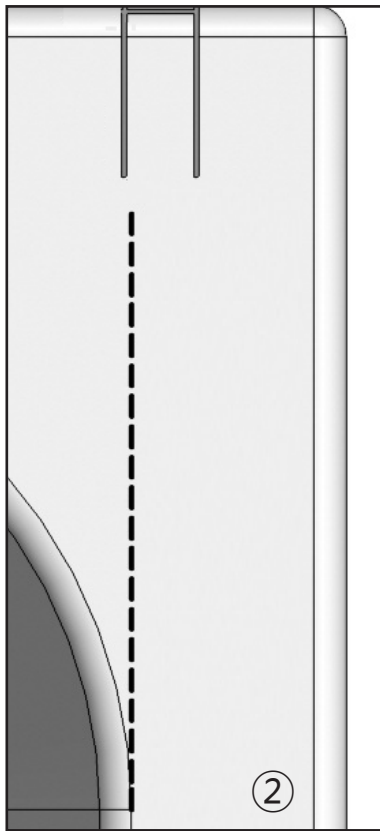
Step 1 - Levelling/Sealing the Bath



1. Ensure the bath is completely level by using a Spirit Level.
 2. Check for any movement of the bath by standing in it and correct as necessary.
 3. The walls should be tiled and grouted up to the bath.
 4. Fill the bath with water to check the plumbing for leaks.
 5. With the bath full of water fully seal the bath along the top where it meets the tiled walls using a good quality bathroom sealant (not supplied).
 6. Leave the water in the bath and let the sealant cure for at least 24 hours before emptying.
- **Spray the seal and joints with the shower head to check for leaks after the sealant has cured.**
 - **Check the plumbing for leaks.**
 - **DO NOT plasterboard over the bath.**
 - **DO NOT grout the tiles after the Bathscren has been fitted as this may discolour the aluminium profiles.**
 - **Make sure the bath is installed as per the manufacture's instructions.**

Step 2 - Fitting the Wall Profile

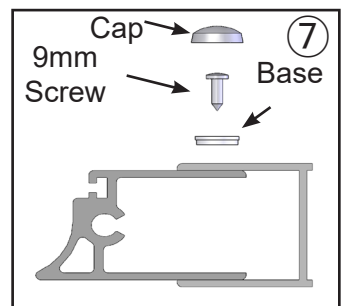
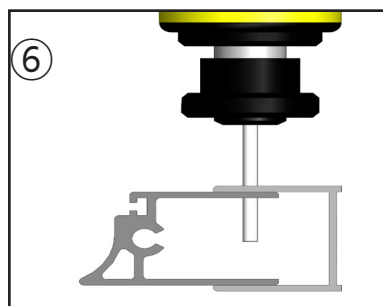
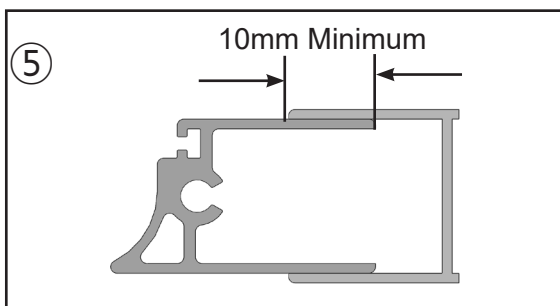
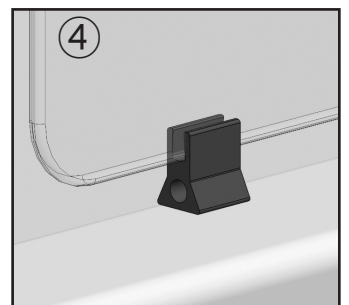
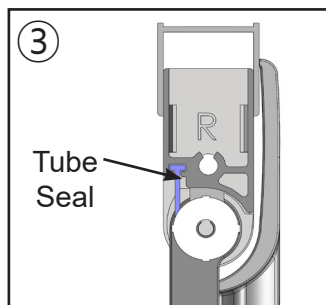
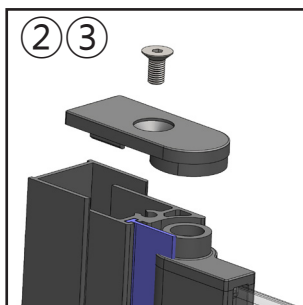
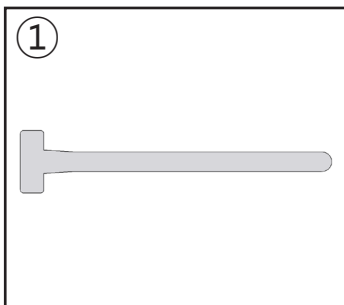
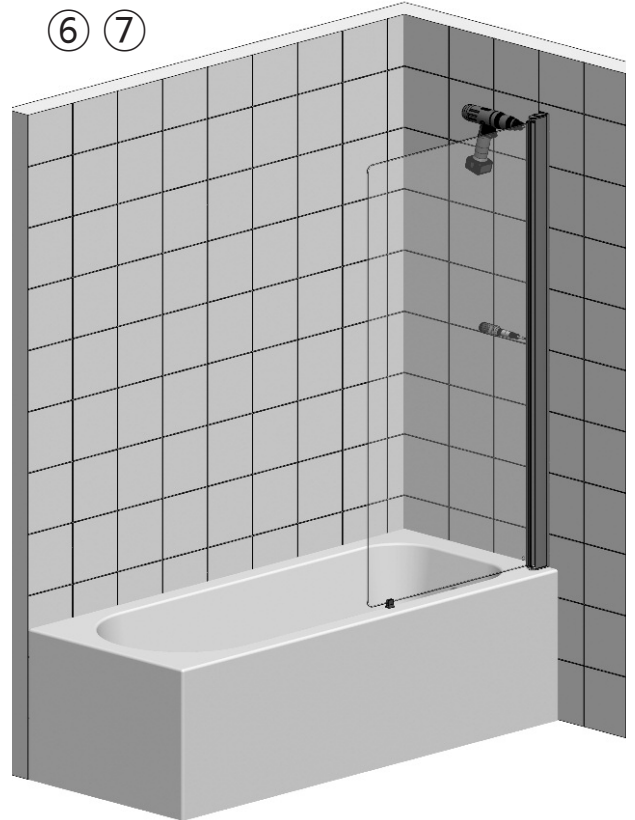
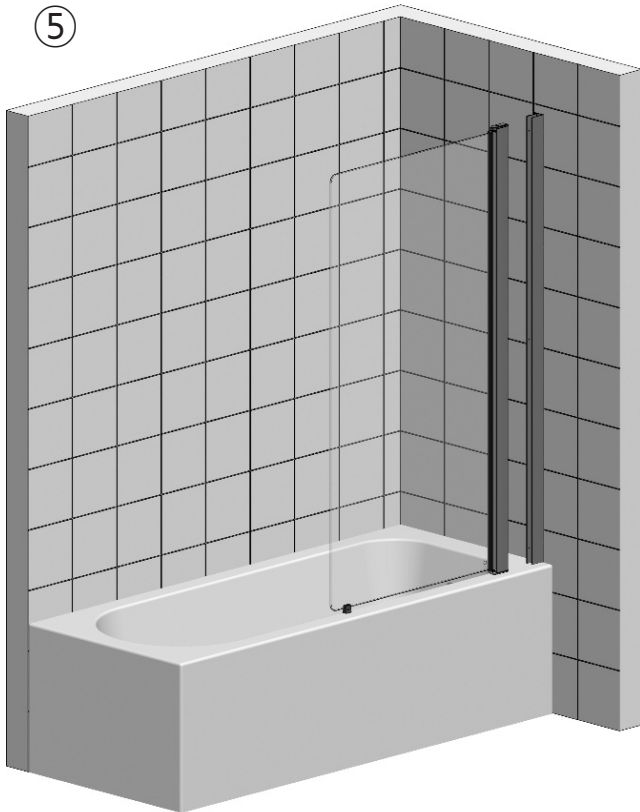
NOTE: When placing the wall profile on the bath, the shape of the bath has to be taken into consideration. If the inside of the bath is curved then the wall profile must line up with the curve nearest the outside of the bath.



1. Decide which end of the bath is to be fitted with the Bathscren.
2. Position the inside edge of the wall profile in line with the inside edge of the bath (see note).
 - **IMPORTANT: The Wall Profile has a two different sized legs, please ensure when fitting, the longer leg is to the outside of the bath.**
3. Make sure the wall profile is completely vertical by using a Spirit Level.
4. Using a pencil, mark the wall for the screw positions through the slots in the wall profile.
5. Drill the wall with a 6mm Masonry Drill (not supplied) and fit the wall plugs (supplied for brick and block).
6. Remove any debris and apply a bead of sealant the width of the wall profile where it meets the top of the bath and the tiled wall.
7. Screw fix the wall profile to the wall using the 40mm screws (supplied) ensuring it is kept vertical.
8. Apply a bead of sealant to the inside of the wall profile at the bottom where it meets the top of the bath.
 - **IMPORTANT: Failure to carry out stages 6 and 8 can result in serious water damage and is not covered under the terms of the guarantee.**
 - **Make certain the wall profile is completely vertical using a Spirit Level (the bubble should be in the centre of the two lines).**

Step 3 - Fitting the Screen

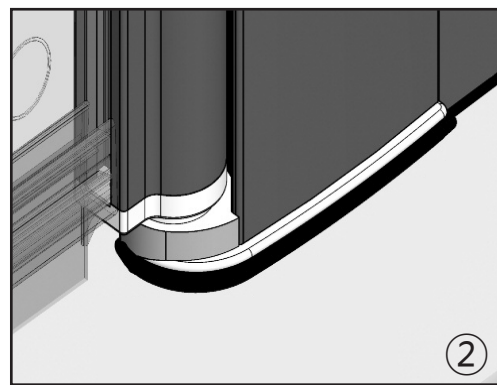
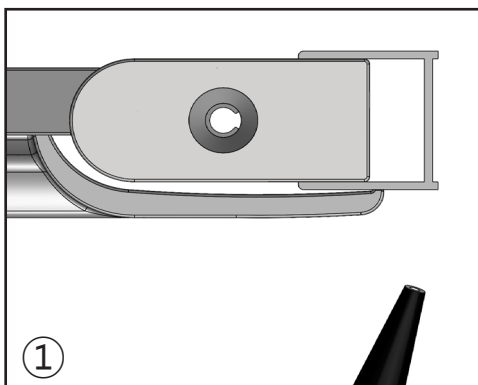
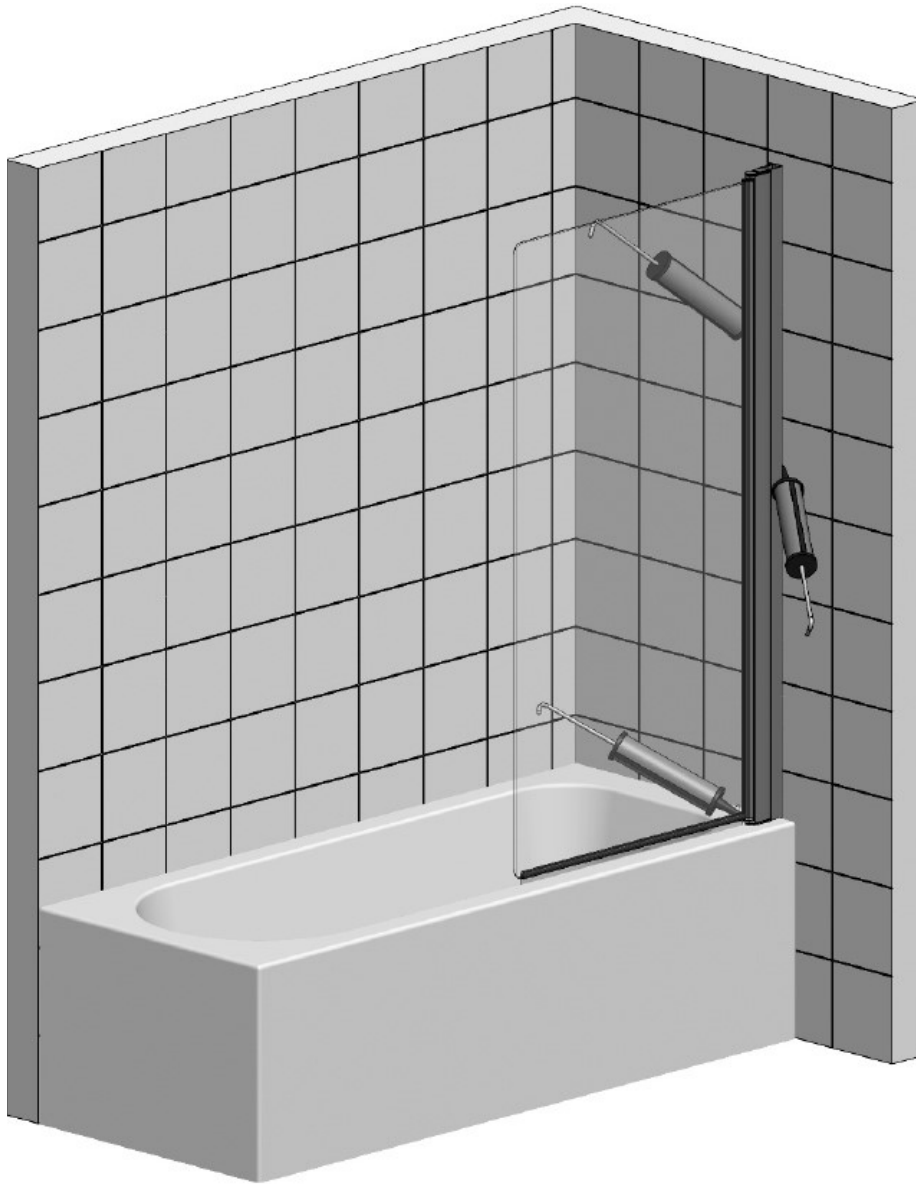
NOTE: 2 people will be required to carry out these operations. Some parts are hidden for clarity reasons.



1. Remove the tube seal from the sealing pack.
2. Carefully remove one cap from the bathscreen.
3. Insert the tube seal into the bathscreen as shown and replace the cap.
4. Place the setting block onto the bottom of the glass screen.
5. Lift the bathscreen assembly onto the bath and slide over the fixed wall profile making certain that the curved face is on the outside and the setting block is resting on top of the bath.
6. Approximately 100mm from the top and bottom and one in the centre drill through the wall profile into the main vertical with the 2.5mm drill bit (supplied).
7. Fit the screw bases to the 9mm screws and fasten the screen to the wall profile, push fit the coloured caps.

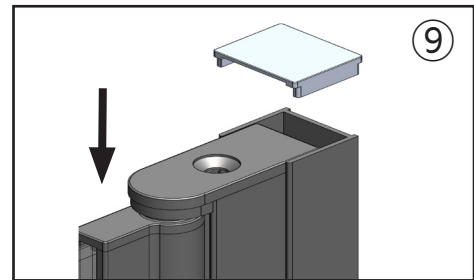
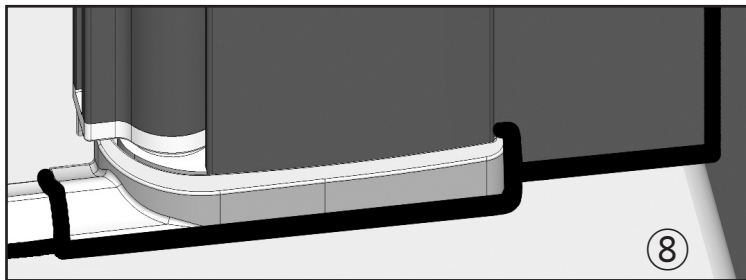
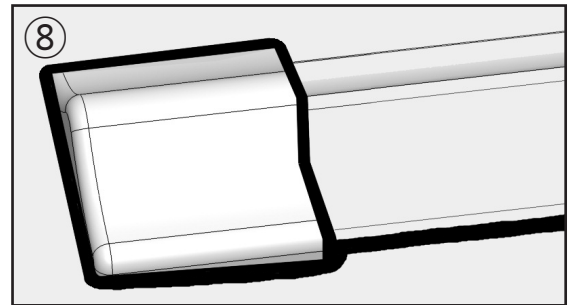
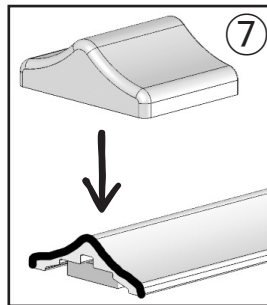
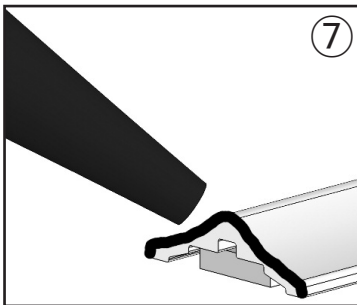
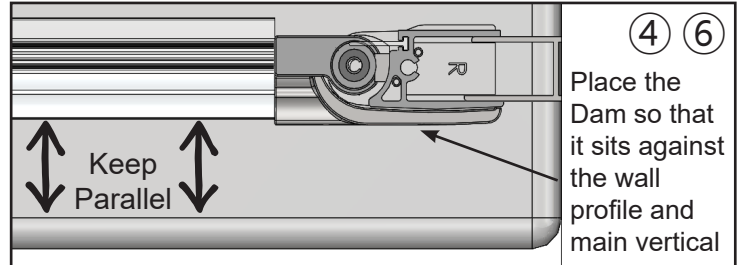
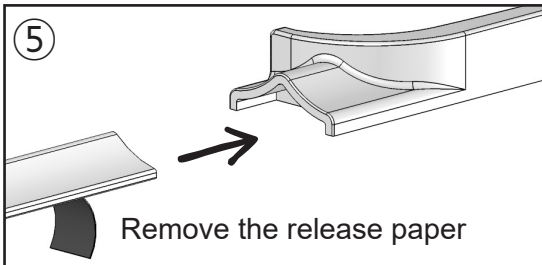
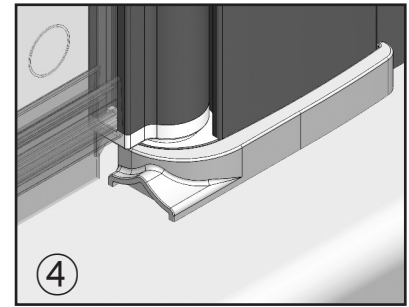
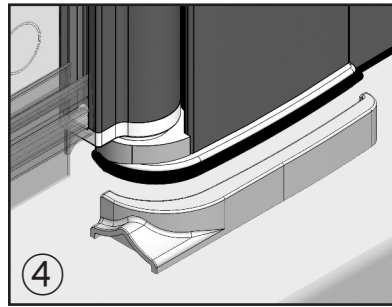
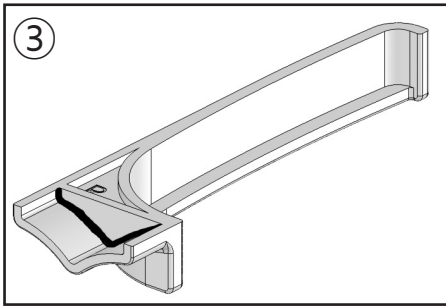
• **Note: There must be a minimum of 10mm between the main vertical and wall profile for fixing.**

Step 4 - General Sealing and Bottom Seal



1. Using a good quality sealant, seal the wall profile vertically on the outside only, where it meets the tiled wall.
 - **It may be wise to use a translucent/clear sealant for best effects.**
2. On the outside only, seal the base of the bathscreen to the top of the bath all the way round.
3. Cut the bottom seal to length (708mm) and push completely onto the glass and up to the aluminium tube which is bonded onto the glass..
 - **IMPORTANT: Failure to follow stages 1,2 and 3 may result in serious water damage and will not be covered under the terms of the guarantee.**
 - **Ensure the deflector strip is facing inward towards the bath.**

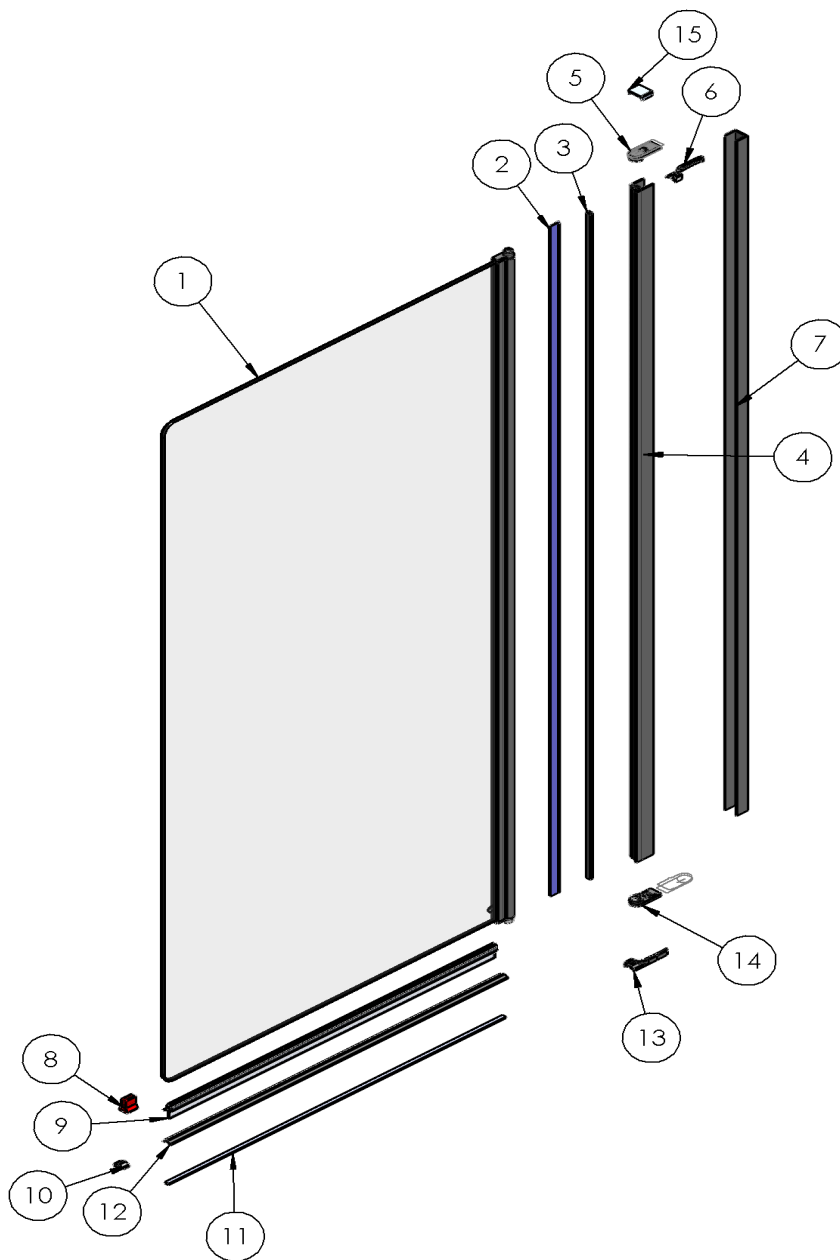
Step 5 - Fitting and Sealing the Water Integrity



1. Depending upon which end of the bath you have installed the Bathscreen has an effect as to which Dam to use (the images show a Right Hand installation). Choose the correct Dam for your installation and discard the other.
2. Using the alcohol wipe provided to wipe down bath top surface so clear of any debris.
3. Turn the Dam upside down and add a small amount of sealant on the inside edge (see image).
4. Position the Dam against the main vertical and ensure that the small curved area sits against the wall profile, gently press into the sealant applied in Step 4.
 - **IMPORTANT: The Dam must be fitted before the pre-applied sealant starts to cure.**
5. Remove the release paper from the back of the adhesive tape (which is on the underside of the Bath Top Strip) and place it inside the Dam making sure that the Bath Top Strip is fully inserted.
6. Press the strip down onto the top of the bath ensuring that it is kept parallel to the outside edge of the bath and that the Dam remains in position.
 - **Make sure the top of the bath is clean and free from any contaminants before applying the strip.**
7. On the Bath Top Strip (at the opposite end to the wall) apply a small bead of sealant to the top edge. Carefully but firmly place the Bath Top Strip End in place.
 - **Be careful not to move the Bath Top Strip and Dam.**
8. Seal the wall profile, dam, bath top strip and end cap horizontally along the bath making sure that you seal around the dam and seal as shown. Seal the dam vertically where it meets the wall profile/main vertical.
 - **Use only a small bead of sealant as too much will become messy and spoil the appearance.**
 - **Please allow 24 hours for the sealant to fully cure prior to using the bathscreen.**
9. Fit top cap on top of wall profile (adding a small amount of sealant will help keep the caps in place).
10. Place the branding badge in a prominent position on a none moving aluminium part.

Spare Parts

If you need to replace any damaged parts please see illustration below for parts list then call Customer Relations on 01325 328033



IMPORTANT

On ordering Items please state the finish/colour of your product

Part No.	Description	Q'ty	Part No.	Description	Q'ty	Part No.	Description	Q'ty
1	Glass / Tube Assembly	1	11	Bath Top Adhesive Strip	1			
2	Tube Seal	1	12	Bath Top Strip	1			
3	Linear Seal	1	13	Dam (Right Hand)	1			
4	Main Vertical	1	14	Main Cap (Right Hand)	1			
5	Main Cap (Left Hand)	1	15	Top Cap	1			
6	Dam (Left Hand)	1						
7	Wall Profile	1						
8	Setting Block	1						
9	Bottom Seal	1						
10	End Cap	1						

TROUBLE SHOOTING GUIDE

Problem	Solution
Leaking	<ol style="list-style-type: none">1. Check the bath has been sealed correctly prior to installation of the bathscreen.2. Check that the inside gap between the Tray and Wall profiles has been sealed correctly.3. Check that the base of the bathscreen is sealed to the top of the bath all around.4. Check to see if the wall profile has been sealed vertically inside and outside where they meet the tiled wall.5. Check that the wall profile and main vertical has been sealed on the inside.6. Check that the base of the profiles has been sealed to the bath top on both sides of the bathscreen.7. Check that the bottom strip/dam assembly has been sealed vertically and horizontally. <p>Important: This enclosure should be water tested conforming to BS EN 14428</p>
Bathscreen Alignment	<ol style="list-style-type: none">1. Check that the bathscreen has been fitted onto a tiled wall or similar sealed surface.2. Check that the wall profile has been fitted in line with the inside edge of the bath.3. Check that the wall profile has been fitted completely vertical (the bubble must be in the centre of the 2 lines on the spirit level).4. Check that the setting block fits between the glass and the top of the bath.
Bathscreen not operating smoothly	<ol style="list-style-type: none">1. Check that the bath is completely level (the bubble must be in the centre of the 2 lines on the spirit level).2. Check that the wall profile is completely level (the bubble must be in the centre of the 2 lines on the spirit level).

Some important information to help you Maintain your product.

The following information is all you need to keep your product looking new.

Clean your product using a mild detergent diluted in water and then polished off using a soft cloth.

If you live in a hard water area, periodically clean your product using a 50/50 solution of white vinegar and water. The solution should be left on the enclosure for approximately 5 minutes then rinsed off using warm water. This method of cleaning should remove lime scale residue.

Simple Maintenance

Our products are generally maintenance free, however it may be necessary to lubricate wheel assemblies and other moving parts from time to time.

It is strongly recommended that a quality silicone spray is used.

A list of Don't's:

1. Don't use acidic based products which are unsuitable for cleaning enamel surfaces.
2. Don't use abrasive cleaners or cleaners using bleach or solvents, these products will adversely affect the finish of the aluminium profiles.
3. Don't use scouring pads, powder or any sharp instruments when cleaning the enclosure.

Should you experience any problems during installation please refer to the Trouble Shooting Guide or contact Customer Relations on:

+44 (0) 1325 328033

To enable customer relations to provide you with an excellent level of service it is important that you quote your product Code and Reference Number - these can be found on the Guarantee card.