

Instinct 8 Sliding Doors Shower Enclosures Sliding Doors + Side Panels



Specification

Frame Finish	Chrome
Glass Finish	Clear
Covers Finish	Chrome
Fixings	Concealed
Seals	Chrome magnetic seals
Dimensions	1950(h) mm
Weight	See below

Features

Handle	Double stainless steel handle
Bearings	Easy clean double rollers for a smooth sliding opening action
Assembly	Quick fix assembly system
Safety Standard	CE EN 14428
Components	See following page

Sliding Doors

	Size	Adjustment	Weight
INS04A0N	1000mm	950-990mm	36kg
INS04B0N	1100mm	1050-1090mm	41kg
INS04C0N	1200mm	1150-1190mm	44kg
INS04DHN	1400mm	1350-1390mm	50kg
INS04EHN	1500mm	1450-1490mm	52kg
INS04GHN	1600mm	1550-1590mm	54kg
INS04HHN	1700mm	1650-1690mm	56kg

Side Panels

	Size	Adjustment	Weight
INS07A0N	700mm	660-680mm	24kg
INS07B0N	760mm	720-740mm	27kg
INS07D0N	800mm	760-780mm	28kg
INS07E0N	900mm	860-880mm	32kg



Key Features + Benefits

10 Year Guarantee	8 mm Glass Thickness	Easy Clean Glass	Fully Reversible	Magnetic Door Strip	Easy Installation
-----------------------------	--------------------------------	------------------	------------------	---------------------	-------------------

Certifications + Accreditations



Merlyn Showering

Merlyn House, Unit 8, Purcellsinch Industrial Estate, Dublin Road, Kilkenny R95 HP71 Ireland. Tel: Freephone 0808 1011 429 Email: spec@merlyn.ie

All information on the data sheet is correct at the time of publication. All measurements are approximate and subject to standard tolerances.

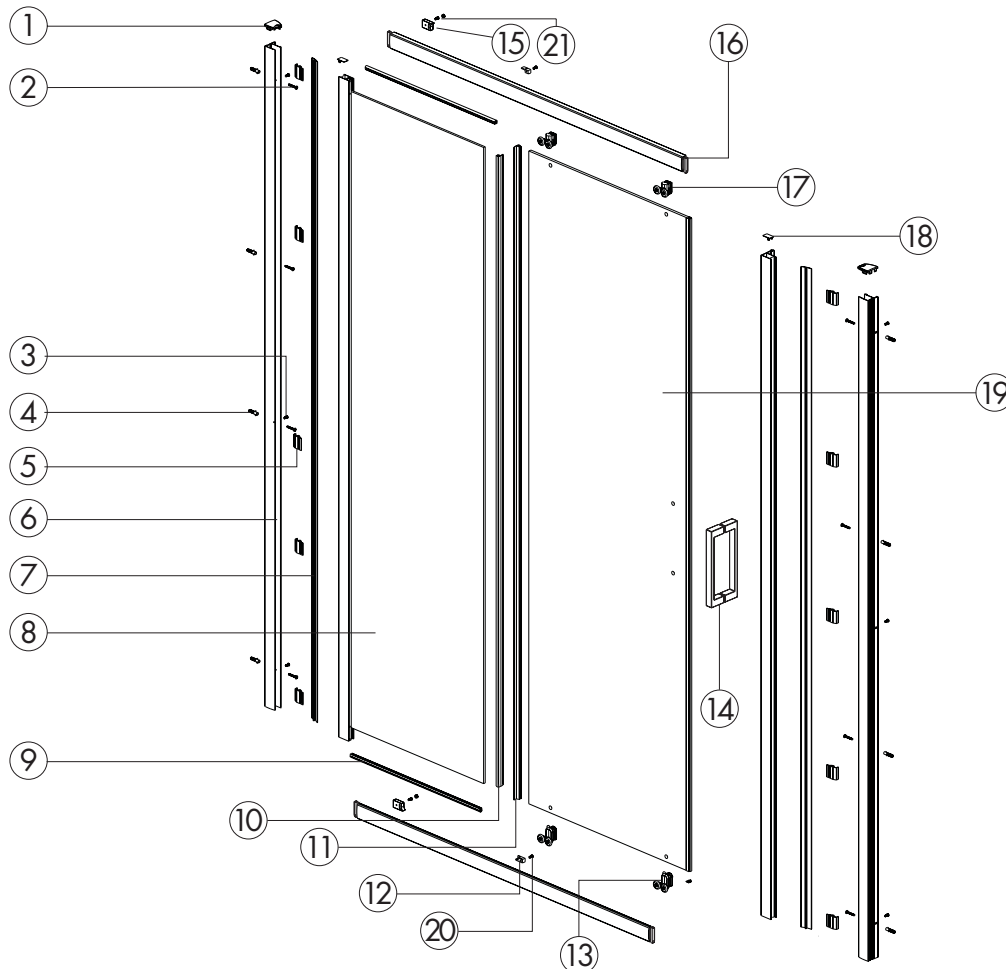
Technical Data Sheet | Shower Enclosures

www.instinctproducts.co.uk

Instinct 8 Sliding Doors Shower Enclosures Sliding Doors + Side Panels

Components

No.	Description	Qty	Part No.	No.	Description	Qty	Part No.
1	Cover cap for wall profile L/R	2	B08060L/B08060R	12	Glass clip L/R	2	INS046L/INS046R
2	Screw ST4x30	8	A2403001	13	Bottom roller	2	B08075
3	Flat head screw ST4x12	6	A2401201	14	Handle	1	INS049
4	Ø6 x 30 wall plug	8	B08070	15	Roller stop L/R	2	B08065L/B08065R
5	Cover strip clip	10	B08054	16	Top and bottom rail	2	B
6	Wall profile	2	INS001	17	Top roller	2	B08074
7	Cover strip	2	INS007	18	Cover cap for upright profile	2	B08062
8	Flat fixed panel	1	A	19	Moving panel	1	C
9	Bottom seal	2	INS041	20	Glass clip screw ST4x15	2	INS050
10	Upright water seal for fixed panel	1	INS037	21	Roller stop screw ST4x10	2	B08089
11	Upright water seal for moving panel	1	INS036				



Merlyn Showering

Merlyn House, Unit 8, Purcellsinch Industrial Estate, Dublin Road, Kilkenny R95 HP71 Ireland. Tel: Freephone 0808 1011 429 Email: spec@merlyn.ie

All information on the data sheet is correct at the time of publication. All measurements are approximate and subject to standard tolerances.

Instinct 8 Frameless Sliding Doors Shower Enclosures Sliding Doors + Side Panels



Instinct 8 Frameless Sliding Door with Side Panel

Specification

Frame Finish	Chrome
Glass Finish	Clear
Covers Finish	Chrome
Fixings	Concealed
Seals	Chrome magnetic seals
Dimensions	2000(h) mm
Weight	See below

Features

Handle	Double stainless steel handle
Bearings	Easy clean double rollers for a smooth sliding opening action
Assembly	Quick fix assembly system
Safety Standard	CE EN 14428
Components	See following page

Sliding Doors

	Size	Adjustment	Weight
INSL120H	1200	1150-1190mm	53kg
INSL140H	1400	1350-1390mm	62kg
INSL160H	1600	1550-1590mm	72kg
INSL170H	1700	1650-1690mm	75kg

Side Panels

	Size	Adjustment	Weight
INSPSL80	800mm	765/790	30kg
INSPSL90	900mm	865/890	37kg
INSPSL100	1000mm	965/990	47kg

Key Features + Benefits

10 Year Guarantee	8 mm Glass Thickness	 Easy Clean Glass	 Fully Reversible	 Magnetic Door Strip	 Easy Installation
-----------------------------	--------------------------------	----------------------	----------------------	-------------------------	-----------------------

Certifications + Accreditations



Merlyn Showering

Merlyn House, Unit 8, Purcellsinch Industrial Estate, Dublin Road, Kilkenny R95 HP71 Ireland. Tel: Freephone 0808 1011 429 Email: spec@merlyn.ie

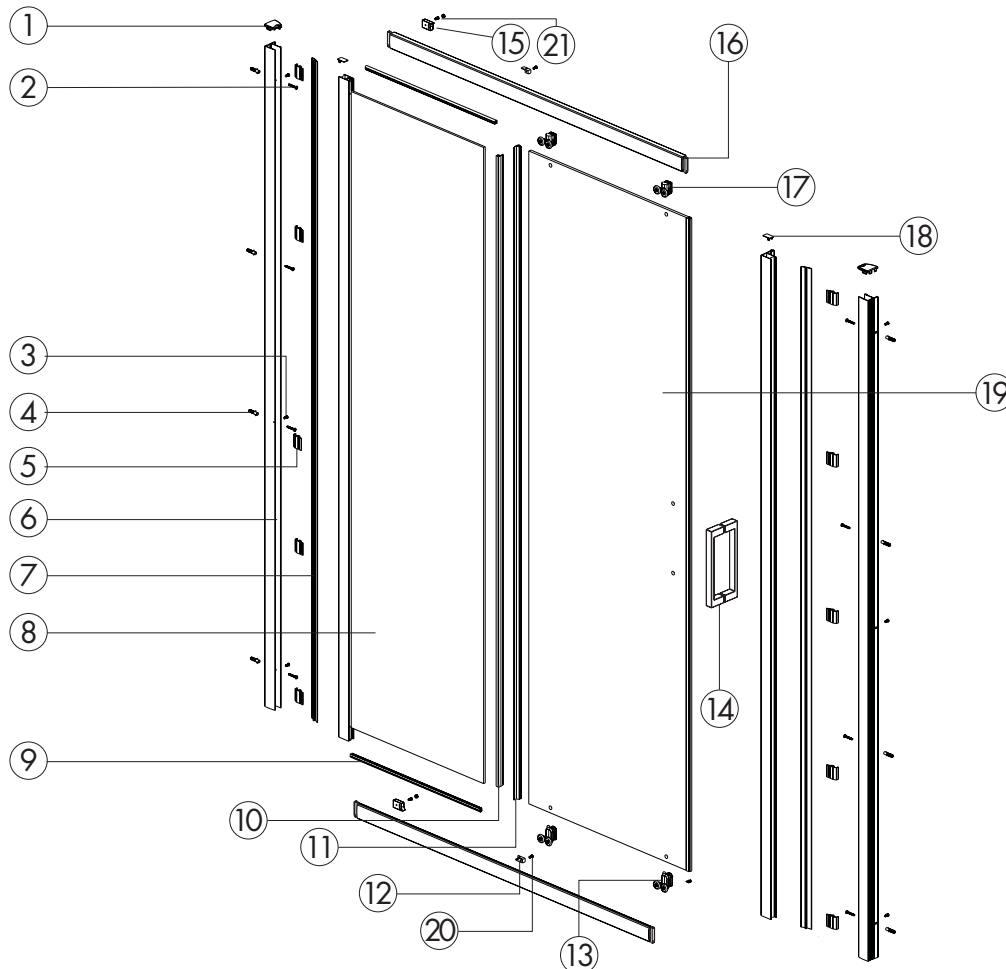
All information on the data sheet is correct at the time of publication. All measurements are approximate and subject to standard tolerances.

Technical Data Sheet | Shower Enclosures

Instinct 8 Frameless Sliding Doors Shower Enclosures Sliding Doors + Side Panels

Components

No.	Description	Qty	Part No.	No.	Description	Qty	Part No.
1	Cover cap for wall profile L/R	2	B08060L/B08060R	12	Glass clip L/R	2	INS046L/INS046R
2	Screw ST4x30	8	A2403001	13	Bottom roller	2	B08075
3	Flat head screw ST4x12	6	A2401201	14	Handle	1	INS049
4	Ø6 x 30 wall plug	8	B08070	15	Roller stop L/R	2	B08065L/B08065R
5	Cover strip clip	10	B08054	16	Top and bottom rail	2	B
6	Wall profile	2	INS001	17	Top roller	2	B08074
7	Cover strip	2	INS007	18	Cover cap for upright profile	2	B08062
8	Flat fixed panel	1	A	19	Moving panel	1	C
9	Bottom seal	2	INS041	20	Glass clip screw ST4x15	2	INS050
10	Upright water seal for fixed panel	1	INS037	21	Roller stop screw ST4x10	2	B08089
11	Upright water seal for moving panel	1	INS036				



Merlyn Showering

Merlyn House, Unit 8, Purcellsinch Industrial Estate, Dublin Road, Kilkenny R95 HP71 Ireland. Tel: Freephone 0808 1011 429 Email: spec@merlyn.ie

All information on the data sheet is correct at the time of publication. All measurements are approximate and subject to standard tolerances.