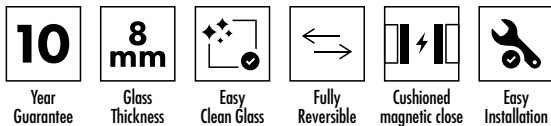


### Instinct 8 Framed Pivot Doors Shower Enclosures Pivot Doors + Side Panels



Instinct 8 Framed Pivot Door with Side Panel

#### Key Features + Benefits



#### Specification

Frame Finish	Chrome
Glass Finish	Clear
Covers Finish	Chrome
Fixings	Concealed
Seals	Cushioned magnetic close
Dimensions	1950(h) mm
Weight	See below

#### Features

Handle	Double stainless steel handle
Bearings	Easy clean double rollers for a smooth sliding opening action
Assembly	Frame pre-assembled
Safety Standard	CE EN 14428
Components	See following page

#### Pivot Doors

	Size	Adjustment	Weight
INS06B0N	760mm	710-750mm	27kg
INS06D0N	800mm	750-790mm	29kg
INS06E0N	900mm	850-890mm	32kg

#### Side Panels

	Size	Adjustment	Weight
INS07A0N	700mm	660-680mm	24kg
INS07B0N	760mm	720-740mm	27kg
INS07D0N	800mm	760-780mm	28kg
INS07E0N	900mm	860-880mm	32kg

#### Certifications + Accreditations



#### Merlyn Showering

Merlyn House, Unit 8, Purcellsinch Industrial Estate, Dublin Road, Kilkenny R95 HP71 Ireland. Tel: Freephone 0808 1011 429 Email: spec@merlyn.ie

All information on the data sheet is correct at the time of publication. All measurements are approximate and subject to standard tolerances.

## Technical Data Sheet | Shower Enclosures

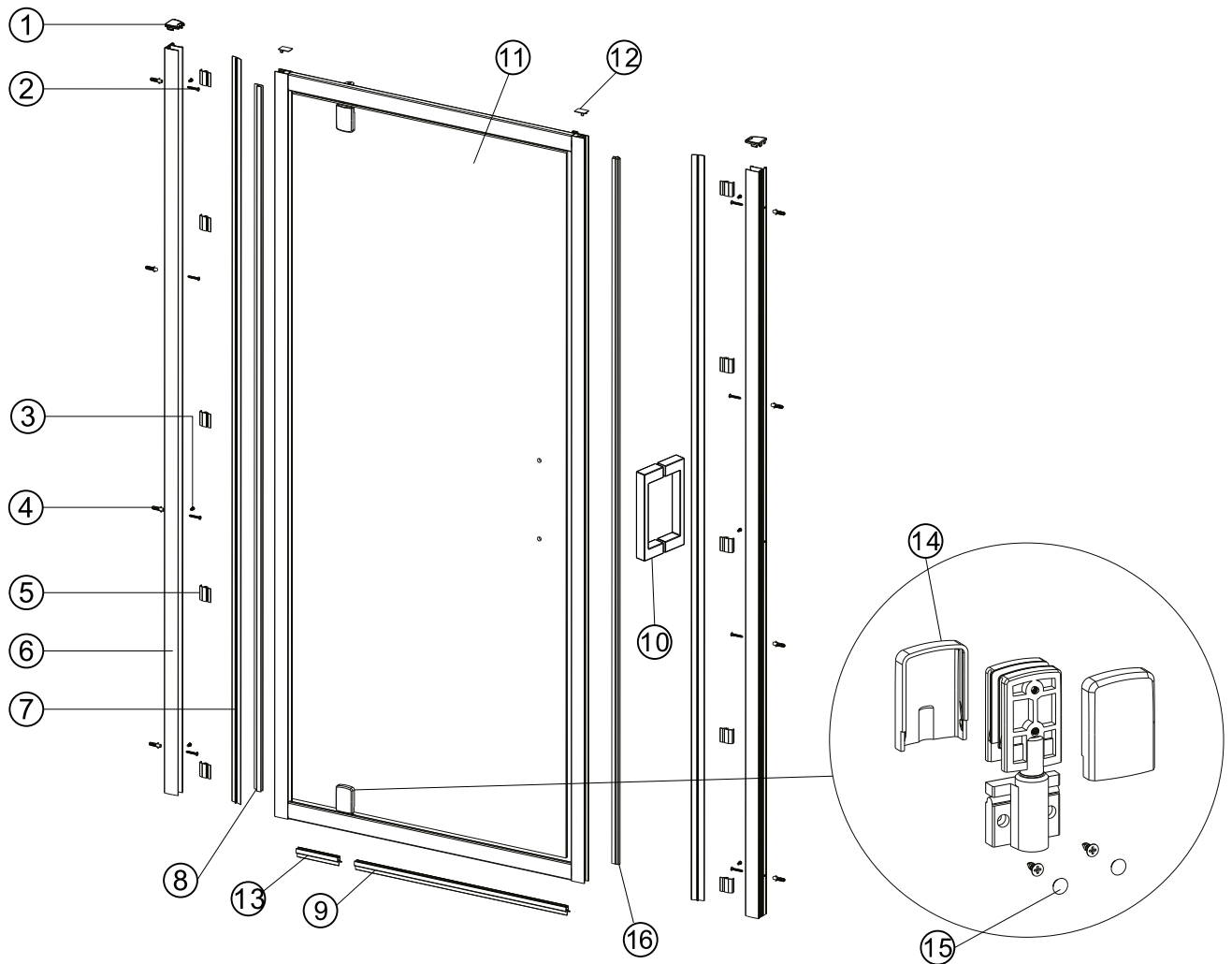
www.instinctproducts.co.uk

### Instinct 8 Framed Pivot Doors Shower Enclosures Pivot Doors + Side Panels

#### Components

No.	Description	Qty	Part No.
1	Cover cap for wall profile L/R	2	B08060L/B08060R
2	Screw ST4x30	8	A2403001
3	Flat head screw ST4x12	6	A2401201
4	Ø6 x 30 wall plug	8	B08070
5	Cover strip clip	10	B08054
6	Wall profile	2	INS001
7	Cover strip	2	INS007
8	Upright water seal for fixed panel	1	INS035

No.	Description	Qty	Part No.
9	Bottom seal long	1	B08046
10	Handle	1	INSHAN250
11	Flat fixed panel	1	A
12	Cover cap for upright profile	2	B08062
13	Bottom seal long	1	B08088
14	Front & back cover caps	2	B08093
15	Screw cover caps	2	B08069
16	Magnet seal	1	INS054



#### Merlyn Showering

Merlyn House, Unit 8, Purcellsinch Industrial Estate, Dublin Road, Kilkenny R95 HP71 Ireland. Tel: Freephone 0808 1011 429 Email: spec@merlyn.ie

All information on the data sheet is correct at the time of publication. All measurements are approximate and subject to standard tolerances.