

# 550mm SEMI-RECESSED BASIN 1TH



<b>Product Code</b>	<b>INSTSRBA1</b>
<b>Weight (Kg)</b>	13.8
<b>Material</b>	Vitreous China
<b>Tap holes</b>	1
<b>Fixings</b>	Not included

**Introduced**

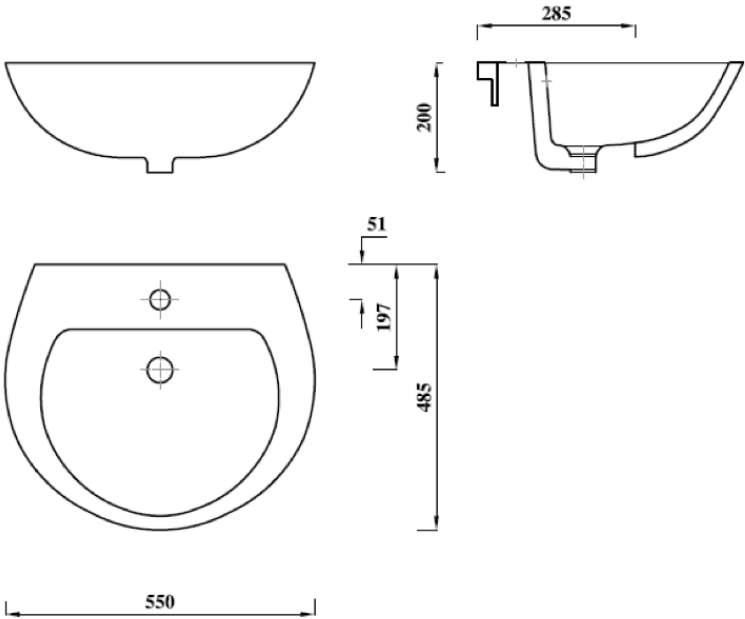
**February 2020**

**Key features:**

- CE Compliant
- Chrome effect overflow ring
- Internal overflow
- Lifetime ceramic guarantee\*

**Description:**

Designed with simple clean lines. This semi recessed basin is fully glazed to the rear, allowing for the basin to be mounted in front of a mirror.



All dimensions are approximate and subject to normal ceramic variation. Although every effort is made not to change the above product specification, Lecico reserve the right to do so without prior notification if necessary. \*Against manufacturers defects. Full information on guarantees available upon request.