

General Care & Safety

Wall plugs supplied are ONLY suitable for solid stone/brick walls. They are not suitable for use in aerated blocks or similar. If fixing to a stud wall, sufficient extra internal reinforcements must be made to the wall. Screws must locate into suitably reinforced studs and noggins.

Take care using power tools – The use of a residual current device (RCD) is recommended. Beware of hidden cables or pipes when drilling.

This product can be dangerous if installed incorrectly. This product must be installed by a qualified plumber or installer. It is the installer's responsibility to check that the fixings are suitable for the installation in hand.

Cistern fittings are suitable for Water pressure: 0.2 - 10 bar. Do not add caustic chemical substances (e.g. containing chlorine compounds or similar) into the cistern. These can damage the valve components and cause failure.

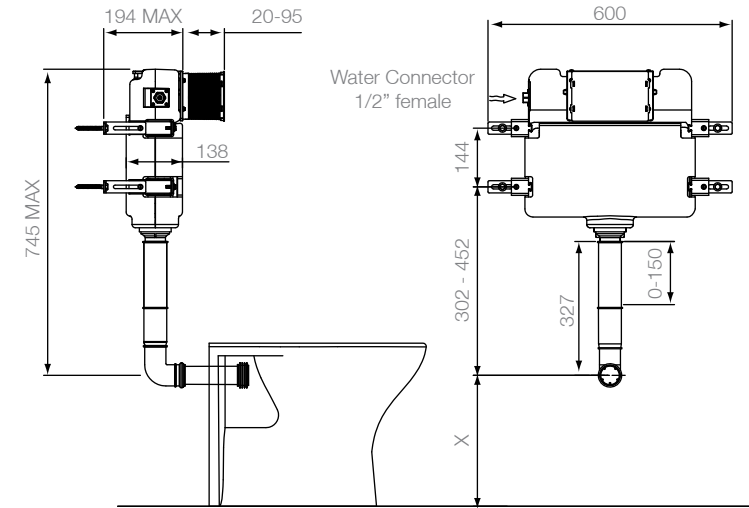
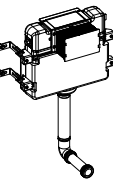
Before starting to enclose the cistern, the system must be first tested for leaks before 2nd fix commences. Temporarily fix the back to wall pan in place and make connections. Turn the water supply on and flush the pan to check for leaks. This is particularly important to do prior to tiling for fully tiled in installations

This cistern is not suitable for use with wall hung pans without the use of a suitable supporting frame.

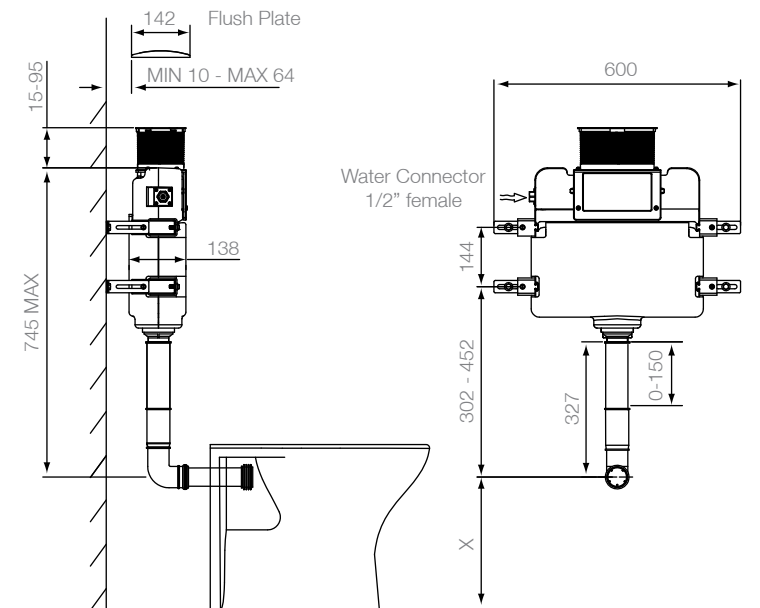
In Wall Cistern Fitting Instructions

Please read completely first before commencing.
Please retain for future reference.

TR9009 /CIW620

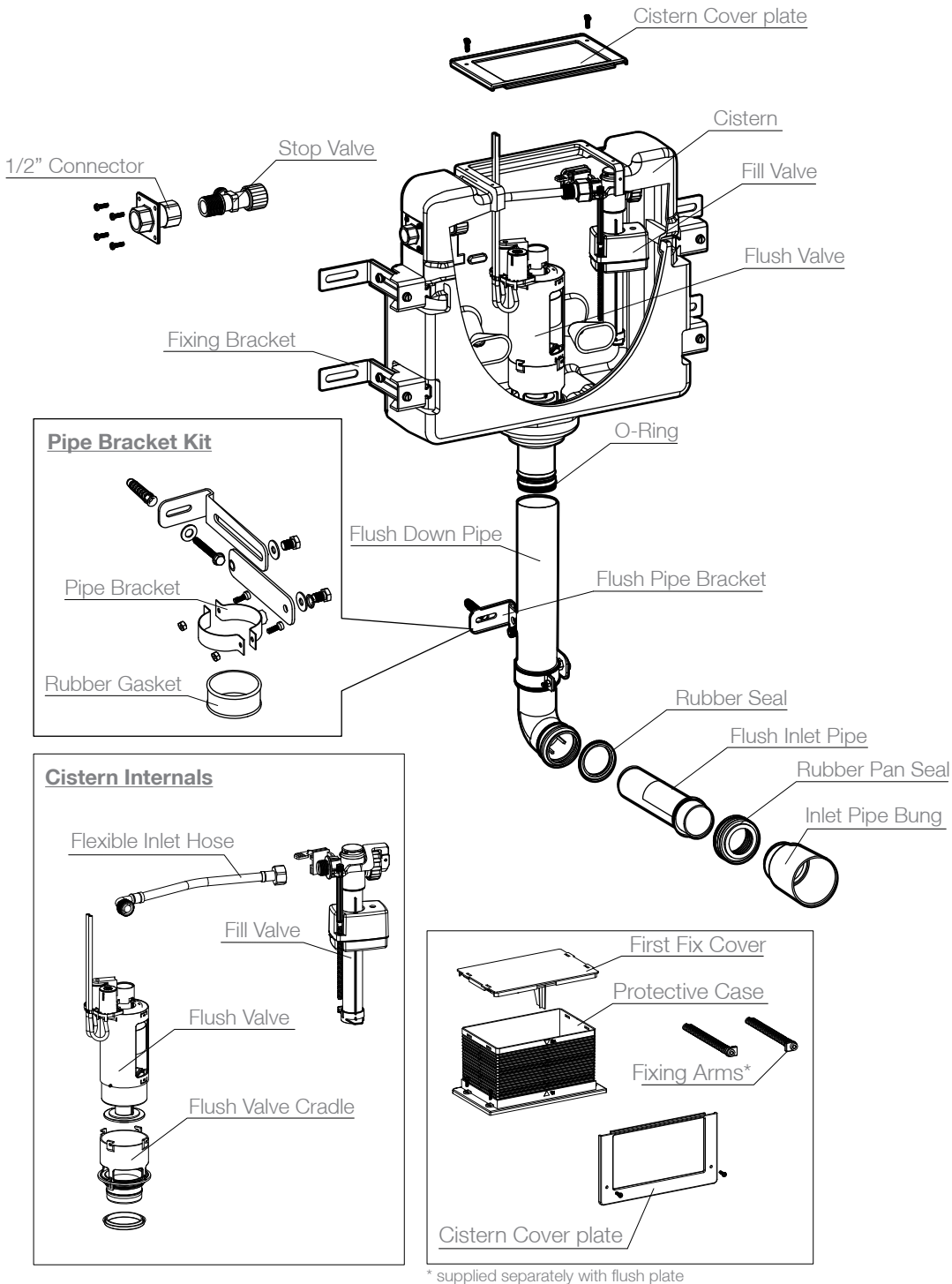


general dimensions - front mounted flush plate



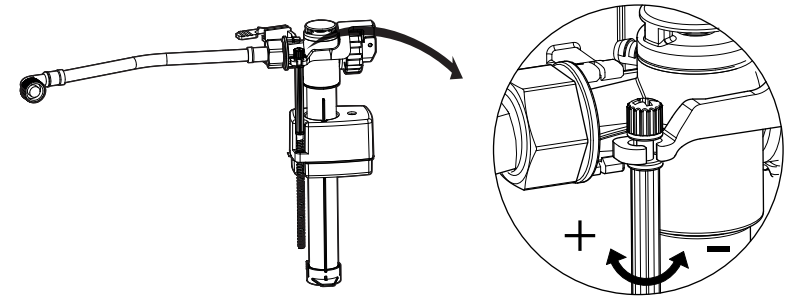
general dimensions - top mounted flush plate

Exploded Diagram

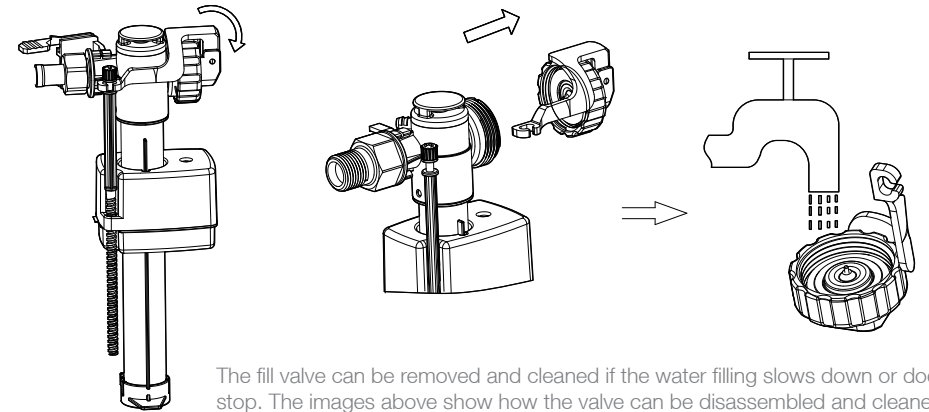


Adjustments & Maintenance

For maintenance access, the flush plate can be easily removed for access to the inlet and flush valves.

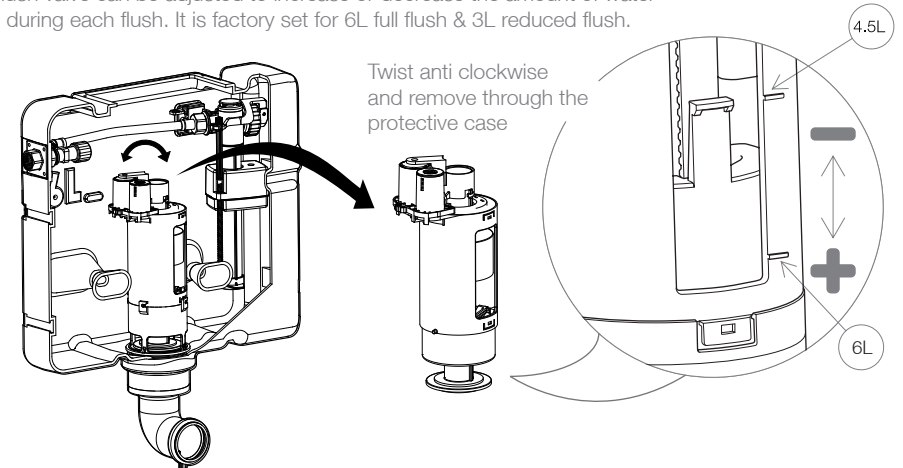


The water level in the cistern can be adjusted by turning the adjustment controls with a screwdriver - clockwise will increase the water level, anti-clockwise will lower the water level.

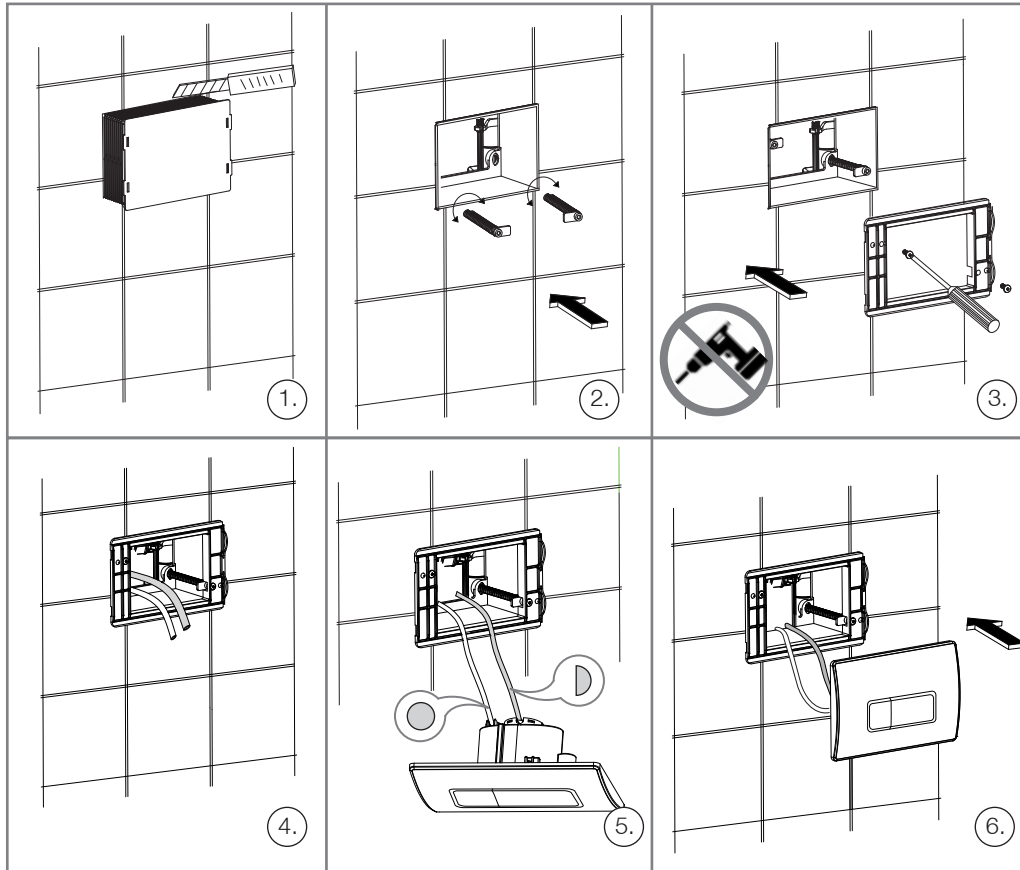


The fill valve can be removed and cleaned if the water filling slows down or doesn't stop. The images above show how the valve can be disassembled and cleaned. Turn off the water supply on the internal stop valve before removal.

The flush valve can be adjusted to increase or decrease the amount of water used during each flush. It is factory set for 6L full flush & 3L reduced flush.

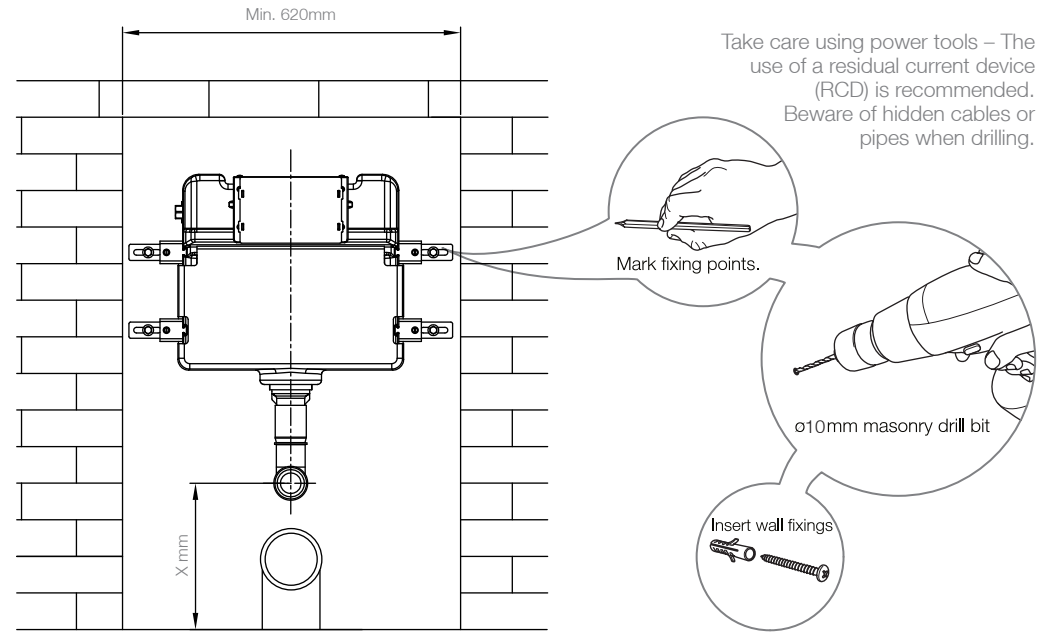


Installation Of Flush Plate (supplied separately)



1. Using a craft knife, cut the protective casing so that it is flush with the wall.
2. Screw the plastic fixing arms supplied with the flush plate into the protective casing and secure in place. Cut down if necessary with a hacksaw.
3. Fix the flush plate mounting bracket to the fixing arms using a screwdriver as shown.
4. Take out the hoses so that they can be accessed for fitting the flush controls.
5. Connect the hoses, making sure that the blue hose is connected to the half flush connector as shown.
6. Locate the right hand side of the flush plate onto the mounting bracket and push to the left to locate, ensuring that the plate is orientated such that the hose connectors point upwards.

Installation Of In Wall Cistern

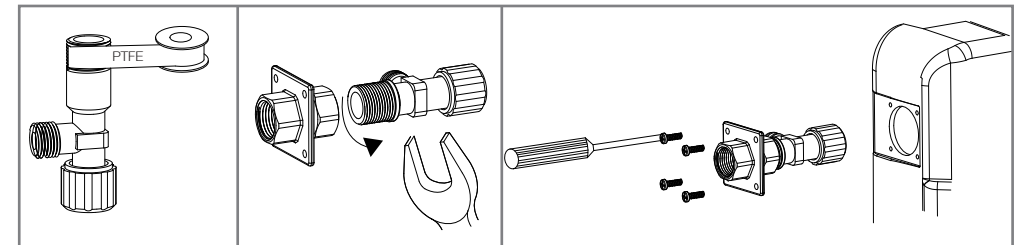


Offer the cistern up to the desired installation position, ensuring there is a minimum width of 620mm for installation. Determine the height of the cistern using the pan's inlet pipe as a height reference (X mm) and the overall product dimensions on the front page. The fixing brackets for the cistern allow left to right and front to back adjustment.

After ensuring that the cistern is level using a spirit level, mark the fixing points using a pencil and drill the marked positions with a 10mm masonry drill bit. Secure the cistern to the wall, making any last minor adjustments using the fixing brackets. The wall fixings supplied are suitable for solid wall installations only. Please use appropriate fixings for your installation type. If in doubt, consult an expert.

Note: The waste pipe (not included) will need to be installed at this point. Individual installations will vary. Ensure the waste pipe is supported and can easily be accessed when the partition wall has been built.

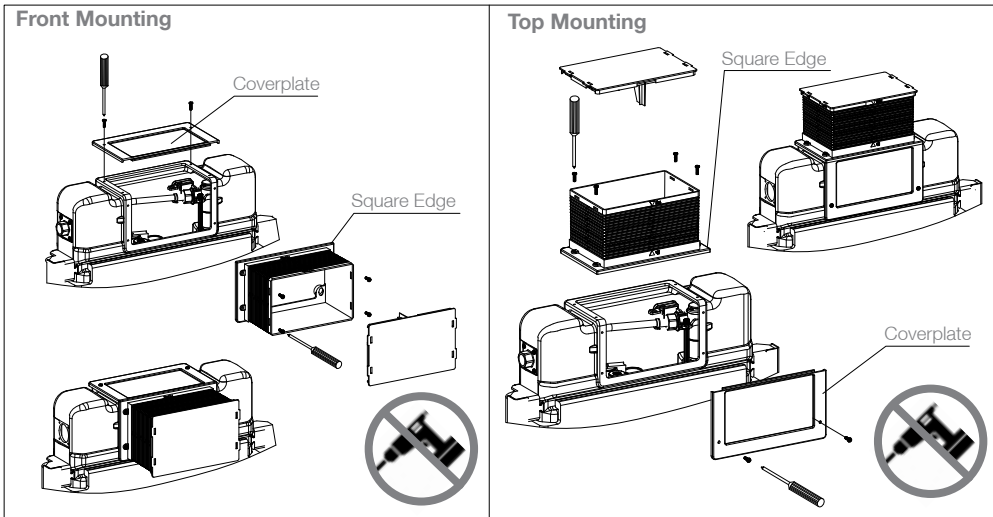
Installation Of Isolation Valve



The isolation valve is pre-assembled with the cistern. If the valve needs replacing, the above instructions show the correct installation procedure.

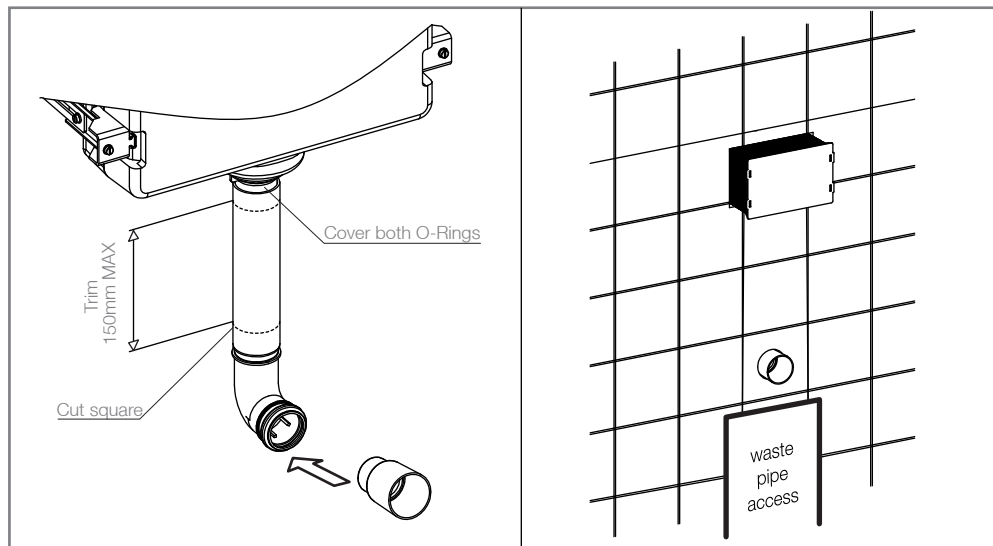
Important: Flush out all impurities in the system prior to connection. Before building the final cladding, install the pan, turn on the water supply and fill the pan. Check tightness of supply and drain connections. Close the isolation valve and drain the cistern and pan, then remove the pan.

Installation Of Protective Casing for Flush Plate



Before the finished wall is installed around the cistern, the plastic protective casing needs to be screwed onto the cistern in the desired position to ensure that the push plate (or flush button) can be installed after plastering and tiling.

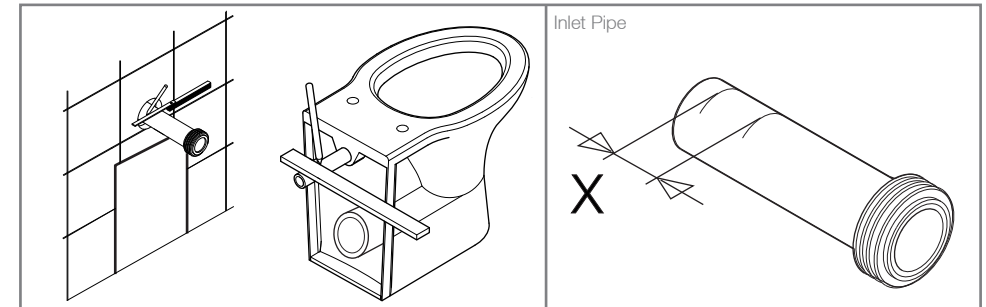
Depending on the desired flush plate installation type (front mounted or top mounted), use the cistern cover plate to cover the unused fixing position. Screw the protective case into the desired position, as shown above.



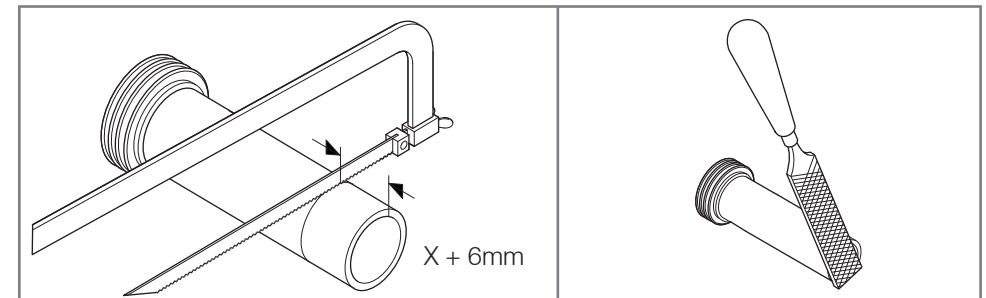
Install the flush pipe, ensuring both O-Rings are covered. The flush pipe can be cut down, up to 150mm if necessary. Install the bung in the flush pipe to protect the pipe during building work. Keep a minimum of a 3mm gap around both the flush pipe and the protective case when building the partition wall. This will allow the flush pipe bung to be removed as well. Make provision for access to waste connections, making sure that any aperture is narrower than the pan that will be fitted.

Installation Of Back to Wall Pan

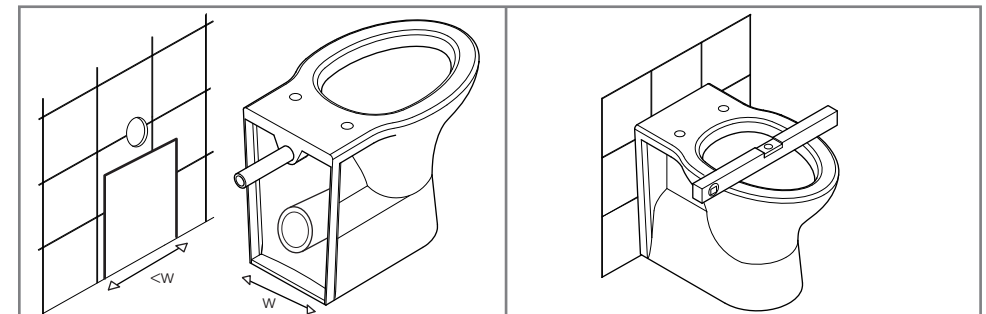
Once the partition or furniture is assembled and complete, the pan can be fitted.



1. Place the inlet pipe into the frame and place a mark that corresponds to the finished surface of the wall.
2. Then place the inlet pipe onto the back of the pan and using a straight edge, place a mark that corresponds to the back face of the pan
3. The distance between these two marks corresponds to the amount of pipe that needs to be cut off to enable the pan to fit snugly against the finished wall surface.
4. BEFORE cutting the pipes, add a further 6mm to the amount to be cut off on the inlet pipe.



5. It is ESSENTIAL that the extra distance is added to cut away extra material. Take care to cut straight otherwise leaks will occur.
6. Once cut, add a chamfer to the end of the pipe to ensure that it can be easily located inside the pipework in the cistern. Locate the inlet pipe into the pan using the black rubber pan seal supplied.



7. Push the trimmed pipe into position and check that the pipe is secure. Install the pan according to the manufacturer's installation instructions. When positioning the pan, take care that the waste pipe connection (not supplied) is well aligned to prevent leaks. It is recommended that enough space is allowed around the waste pipe to facilitate installation.