

# Cascade

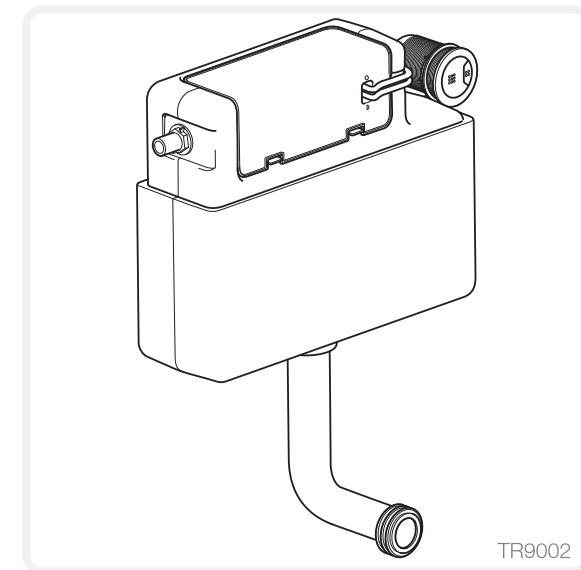
## Slimline Concealed Cistern - Side Entry

Please retain for future reference

△ TR9002

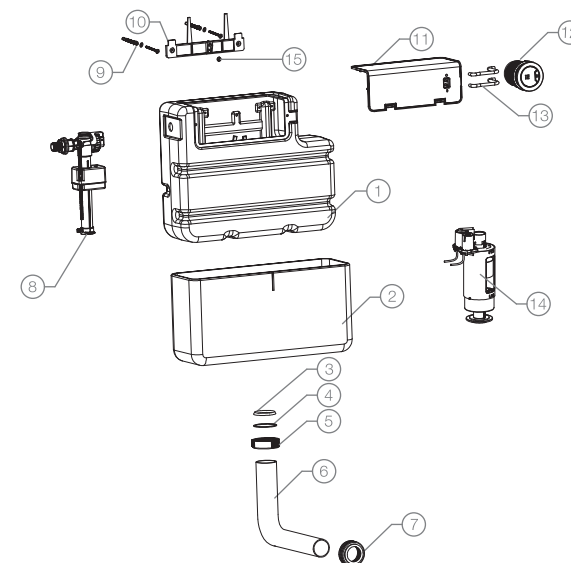
**trade**

bathroom products



We recommend that this product should be fitted by a qualified plumber.

### parts included

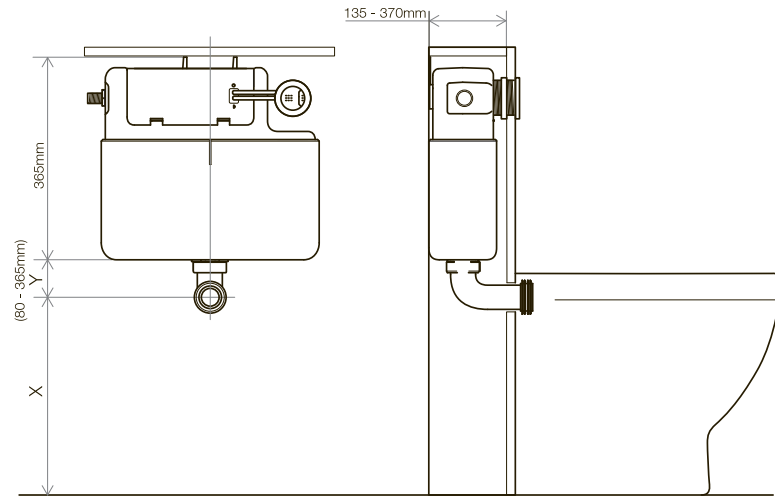


1. Cistern
2. EPS Jacket
3. Seal
4. Washer
5. Flush Bend Nut
6. Flush Bend
7. Key Seal
8. Side Entry Fill Valve
9. 2 x Attaching Screws
10. Attachment Plate
11. Cistern Cover
12. Pneumatic Push-button
13. Air Hoses
14. Flush Valve
15. Cistern Fixing Screw

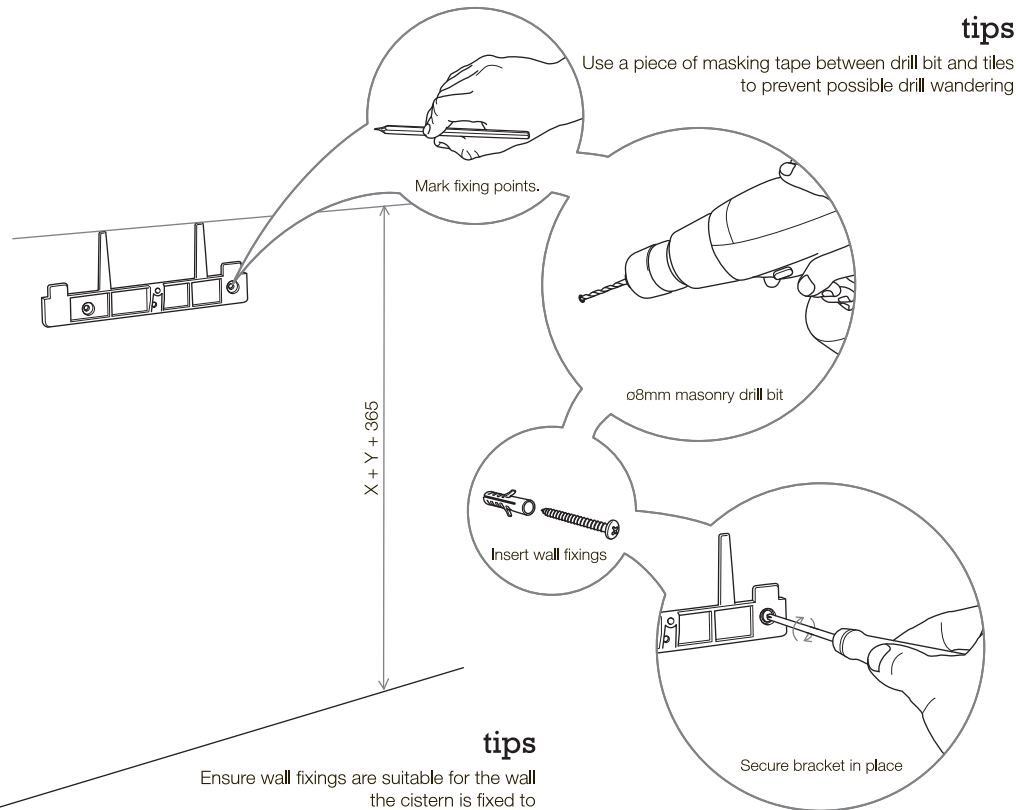
**trade**

Brought to you by the Roper Rhodes Group  
Brassmill Lane Trading Estate  
Bath  
BA1 3JF  
t: 01225 303900

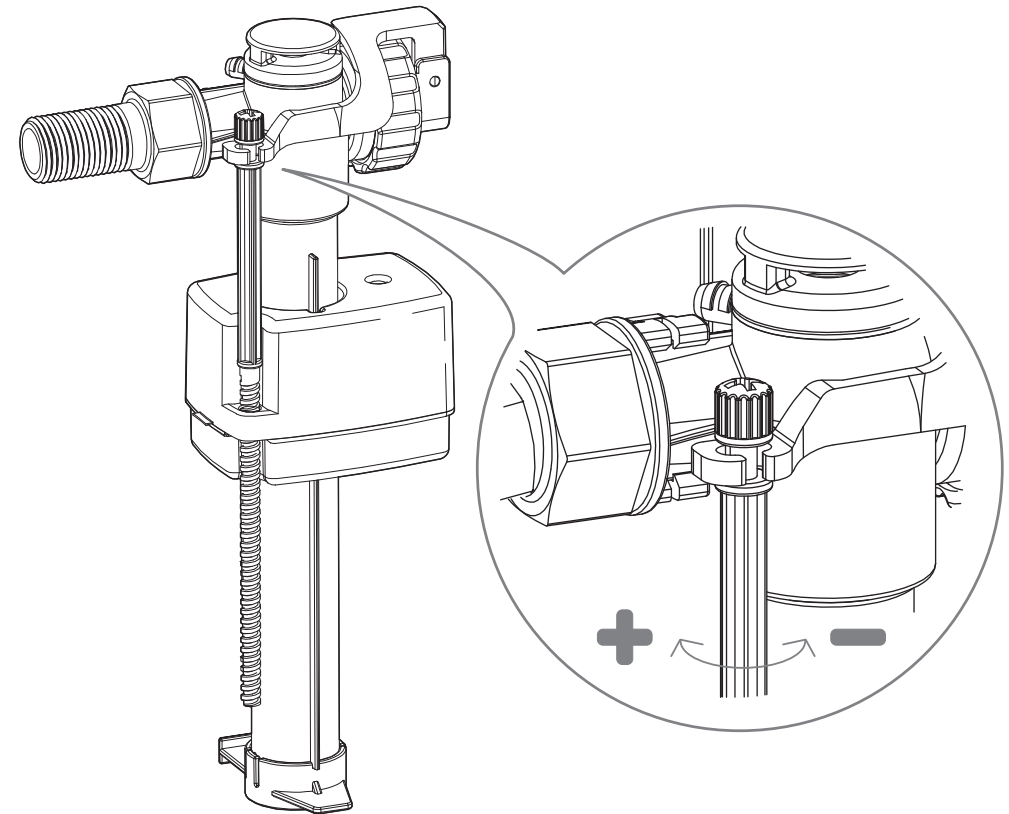
## fitting dimensions



## installation of the cistern

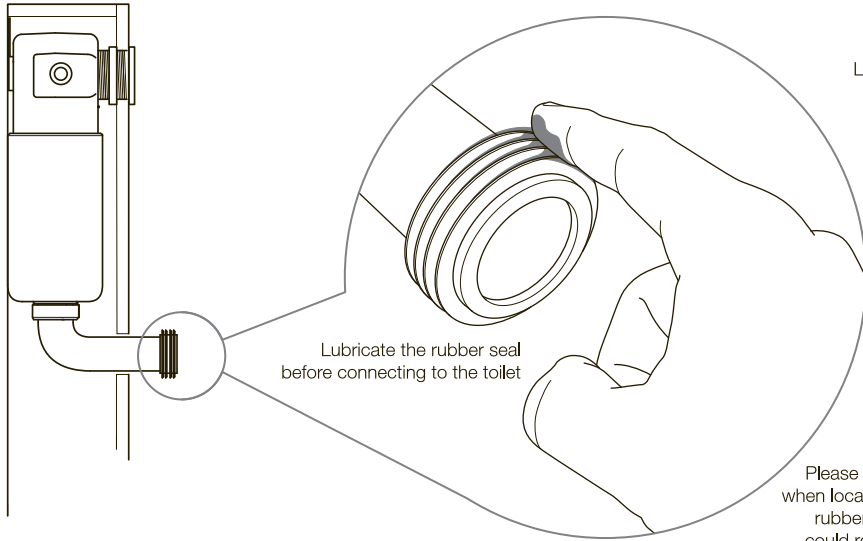


## adjusting the water level



By adjusting the fill valve the water level can either be increased or decreased accordingly

## fixing the toilet



Lubricate the rubber seal before connecting to the toilet

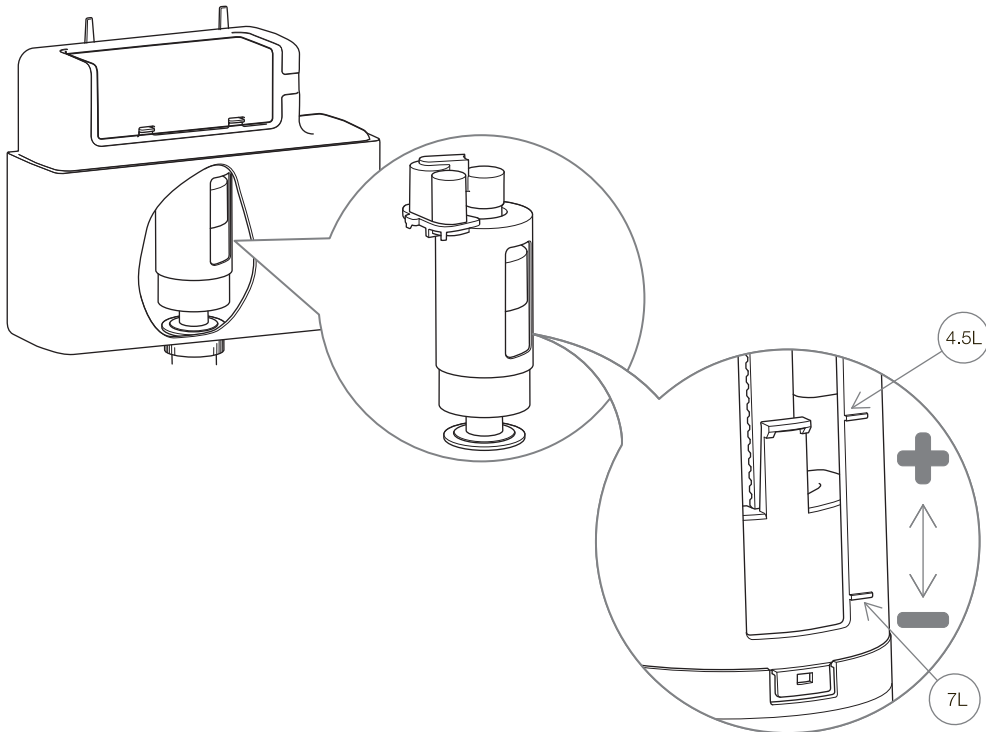
### note

Lubricant not supplied. Please use a suitable plumbers grease.

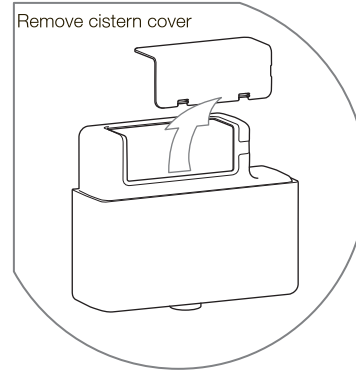
### Important

Please support the flush pipe when locating the toilet onto the rubber seal. Failure to do so could result in damage to the flush connection

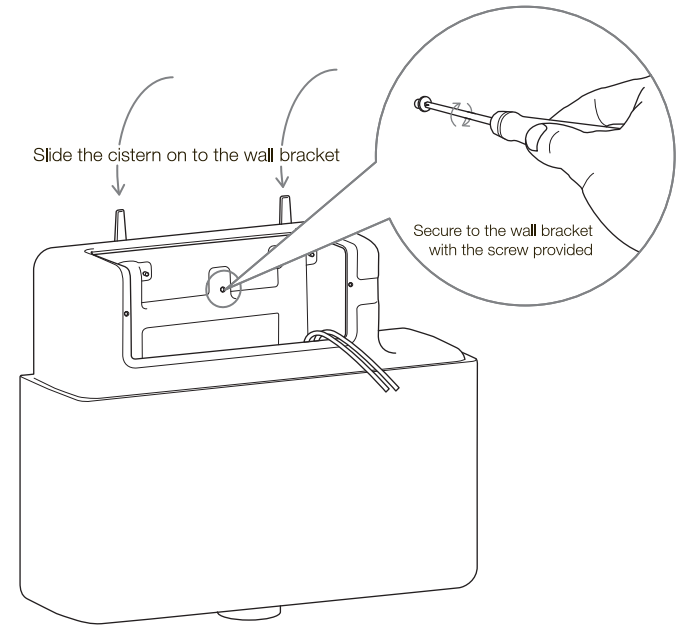
## adjusting the flush volume



By adjusting the flush valve the flushing volume can be altered



Remove cistern cover

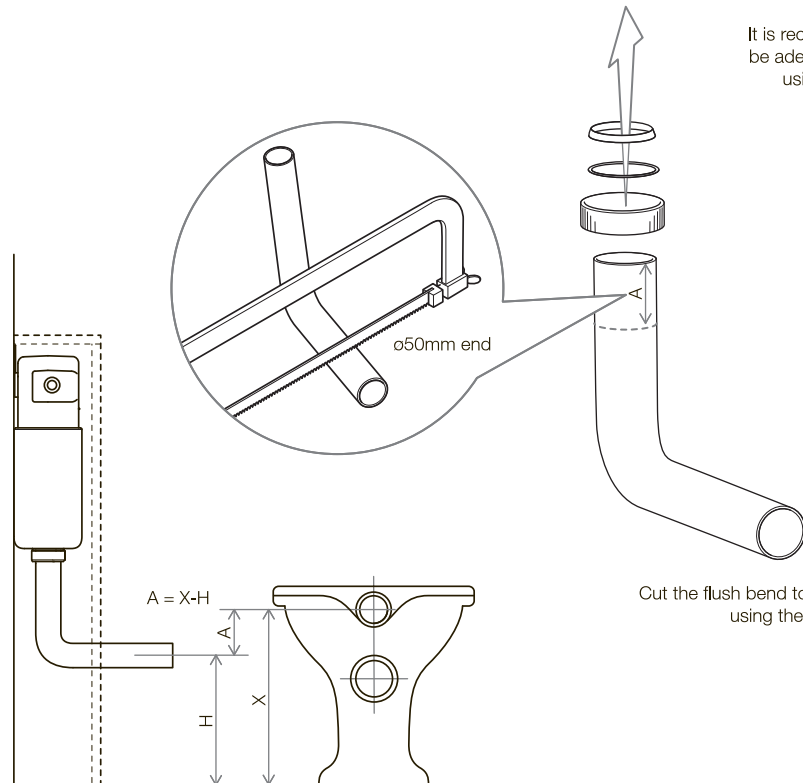


Slide the cistern on to the wall bracket

Secure to the wall bracket with the screw provided

### tips

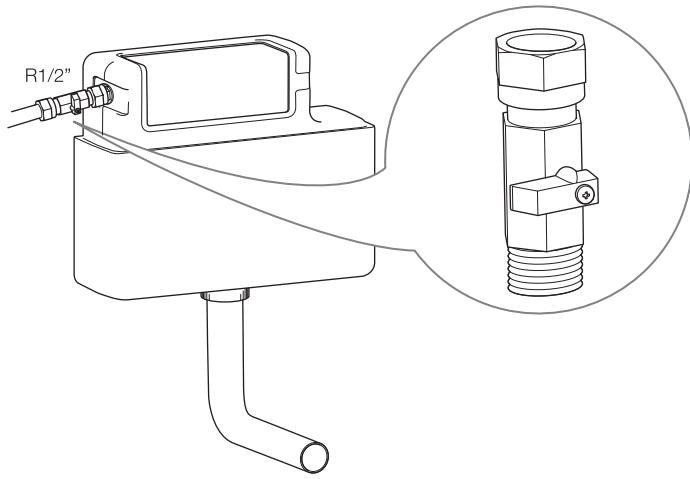
It is recommended that the flush bend be adequately braced against the wall using an appropriate pipe bracket or wooden packing.



$$A = X - H$$

ø50mm end

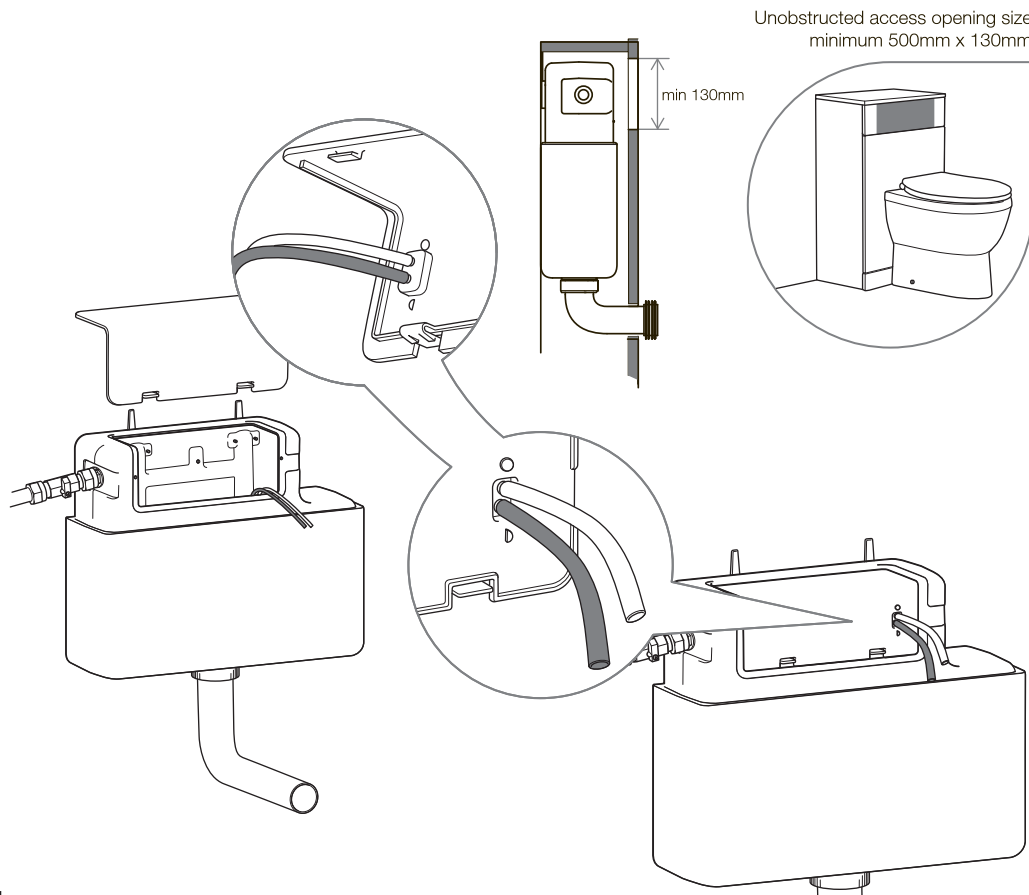
Cut the flush bend to size and attach to the cistern, using the appropriate fittings, as shown.



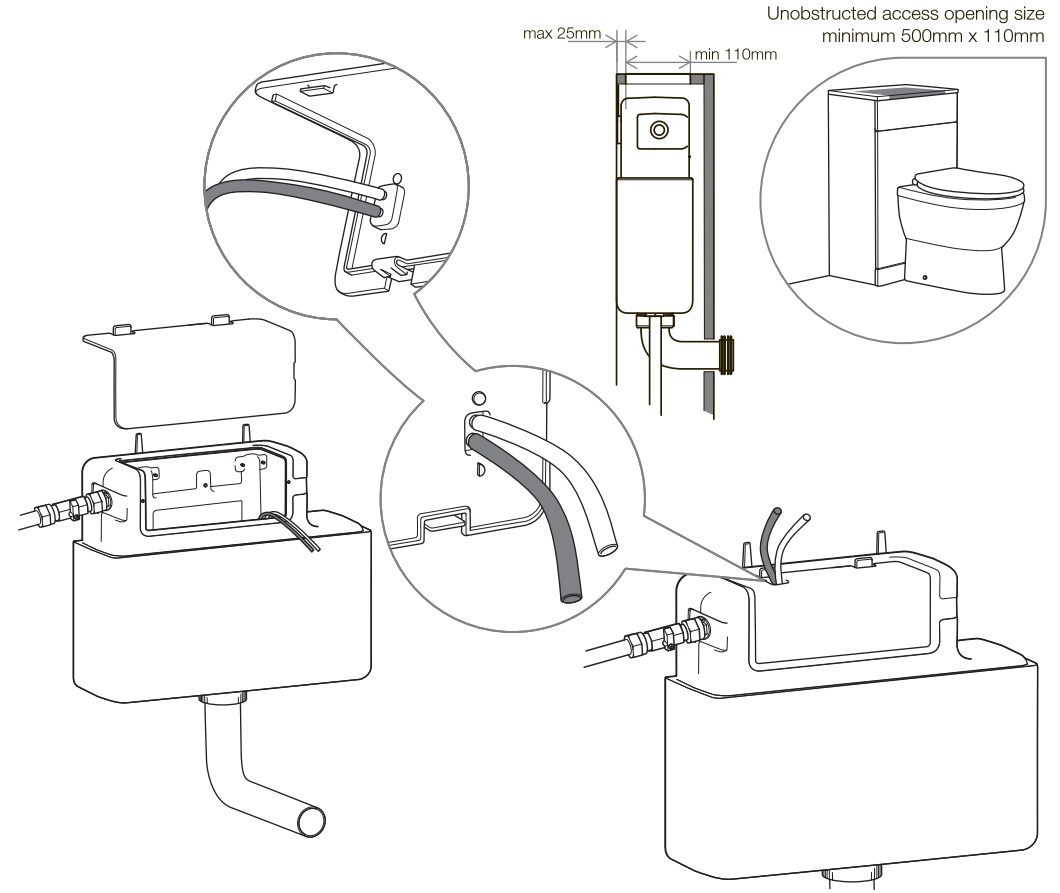
**note**  
Stop valve not included

Connect the water supply to the cistern using an approved stop valve

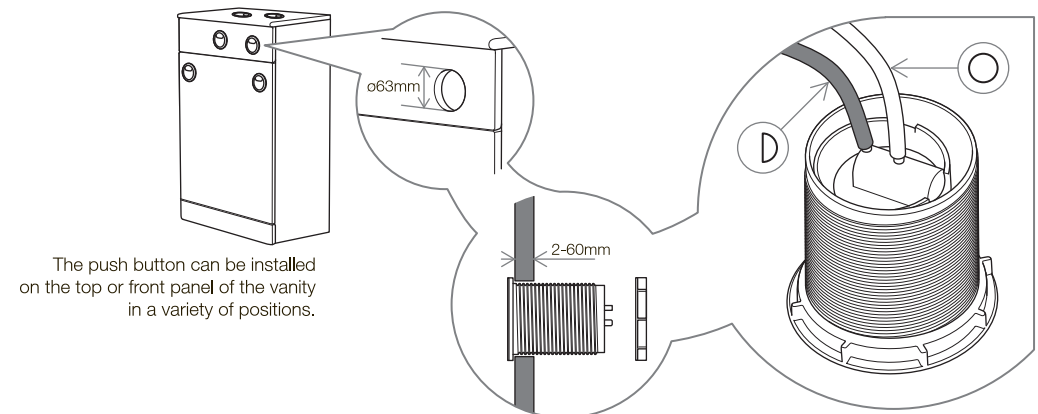
### installation with a front access panel



### installation with a top access panel



### installation of pneumatic push-button



The push button can be installed on the top or front panel of the vanity in a variety of positions.