

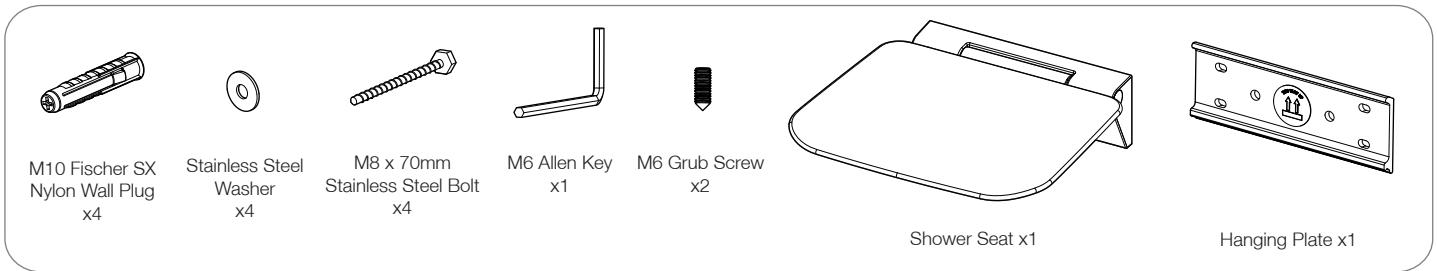
Luxury Soft Close Shower Seat

Installation and Aftercare Instructions

Please read completely first before commencing and retain for future reference

8030

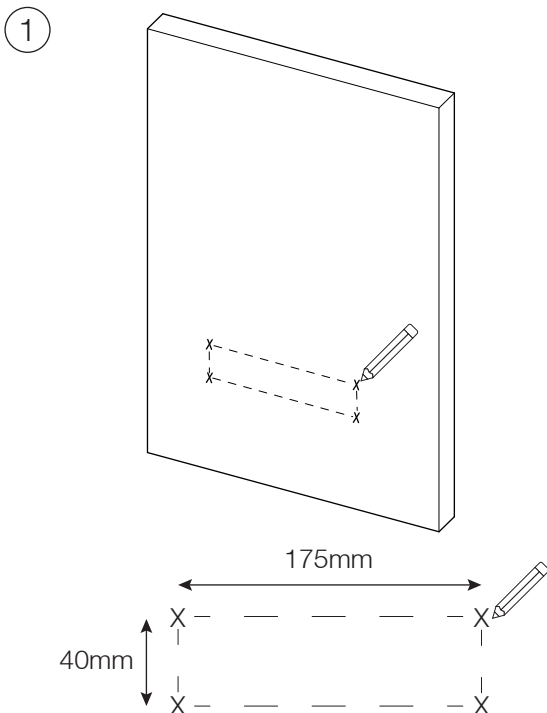
Parts Included



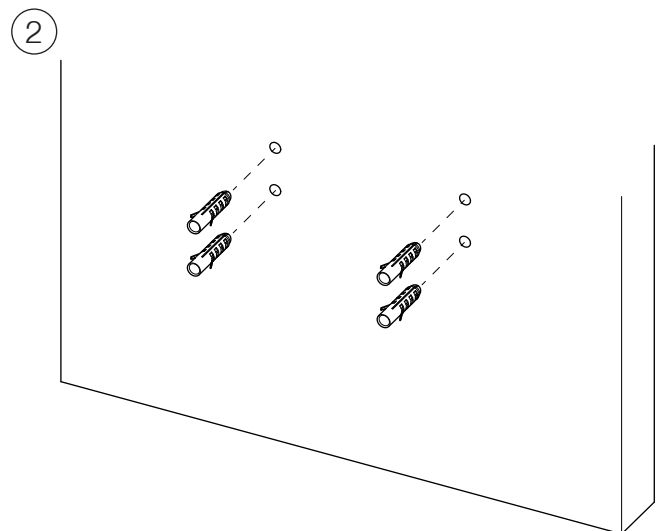
! WARNINGS !

- This product must only be installed by a competent person.
- Only **ONE PERSON** must use the shower seat at any one time.
- The shower seat surface can be slippery when wet.
- When seated on the shower seat, you should not bounce.
- This shower seat is rated to support a maximum weight of 200KG.
- To determine the correct installation height for the primary end user, they should be able to touch the floor with both feet when seated and their thighs should be close to parallel to the shower tray surface.
- When seated on the shower seat, you should have both feet touching the floor whenever possible.
- Fixings supplied are **ONLY** suitable for solid stone/brick walls. They are not suitable for use in aerated blocks or similar. If in doubt consult a suitably qualified person.
- Do not force close the seat.
- Take care using power tools - The use of a residual current device (RCD) is recommended. Beware of hidden cables or pipes when drilling. Take care when drilling on tiled surfaces in case the drill slips. Use masking tape on tiled surfaces to minimise drill slippage.
- This product could be dangerous if installed incorrectly.

Fitting Instructions



Using a spirit level, mark up the positions of the holes by marking through the **OUTER 4 SLOTS** of the hanging plate or using the above dimensions. The recommended installation height of the seat is 450mm \pm 50mm depending on the height of the primary intended user.

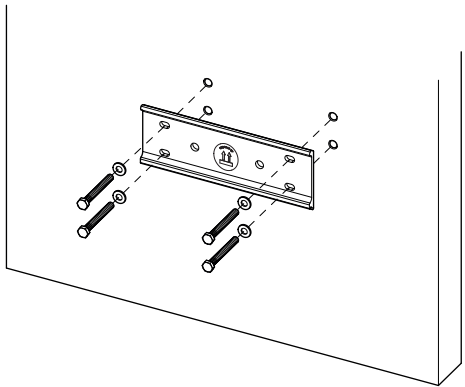


First, **check for hidden pipes and cables**. Then using a suitable 10mm drill bit, drill 4 holes and insert the 4 wall plugs provided.

For **solid brick or stone wall** installations drill the holes to a minimum depth of 70mm.

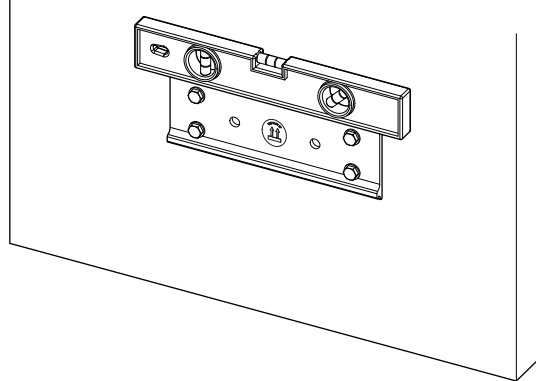
For **stud wall** installations ensure that the screws are fitted into the studs or reinforced noggins. The complete area behind the shower seat must be suitably reinforced, and is the responsibility of the installer.

3



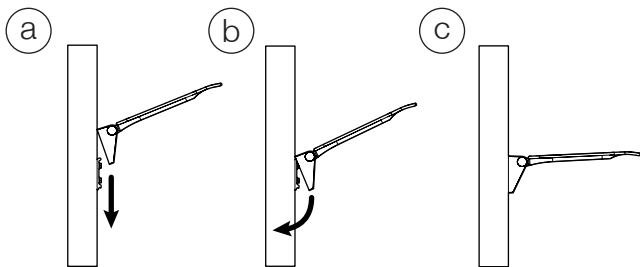
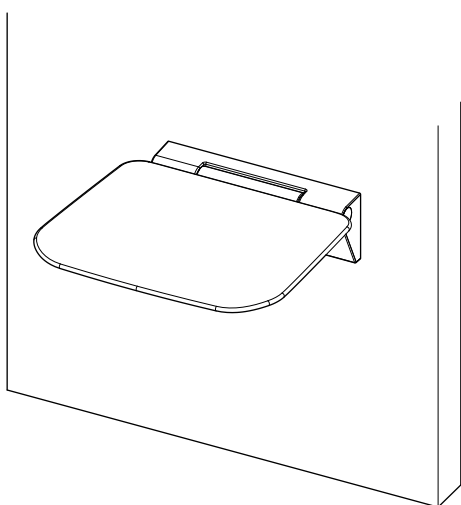
Attach the hanging plate to the wall using the fixing bolts and washers provided. Use a 13mm socket wrench to fully tighten the fixing bolts.

4



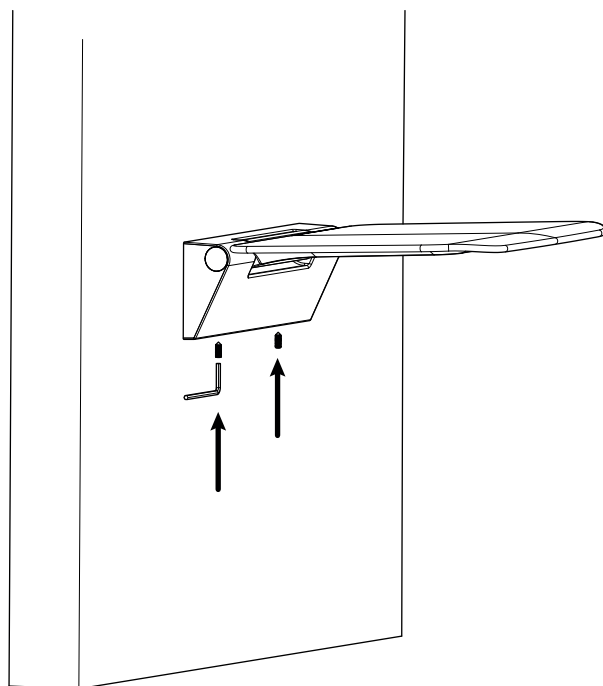
At this point it is **IMPORTANT** to check that the hanging plate has been installed level.

5



Hook the seat onto the mounting bracket, as shown above, so that the seat sits flush with the wall.

6



Secure the seat in place by tightening the two grub screws with the allen key provided. Check that the seat is securely fixed against the wall and cannot be moved around.

Aftercare Advice



Clean surfaces with a soft damp cloth and mild soap solution



Do **NOT** scrub or scour



Do **NOT** use abrasive cleaning agents on the seat.



Do **NOT** stand on the seat