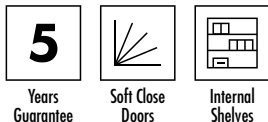


### Honley Aluminium Cabinet INST06040, INST06041



#### Key Features + Benefits



#### Specification

	INST06040 (Single Door)	INST06041 (Double Door)
Finish	Black aluminium with soft corner design, mirrored internals	Black aluminium with soft corner design, mirrored internals
Dimensions	700(h) x 450(w) x 120(d) mm	700(h) x 600(w) x 120(d) mm
Weight	11.96kg	14.95kg
Lighting Type	-	-
Colour Changing Technology (CCT)	-	-
Switch Location	-	-
Surface/Recess Fitting	Surface	Surface
Carcass/Frame Construction Material	Aluminium	Aluminium
Carcass/Frame Finish	Painted	Painted
Number of Internal Shelves	Two	Two
Shelves (Fixed/Adjustable)	Adjustable	Adjustable
Door Hinge Handing	Left hand	-
Glass Thickness	6mm	6mm

#### Features

Doors Double sided mirror door with frame.  
Soft close. Single door cabinet left hand hinged

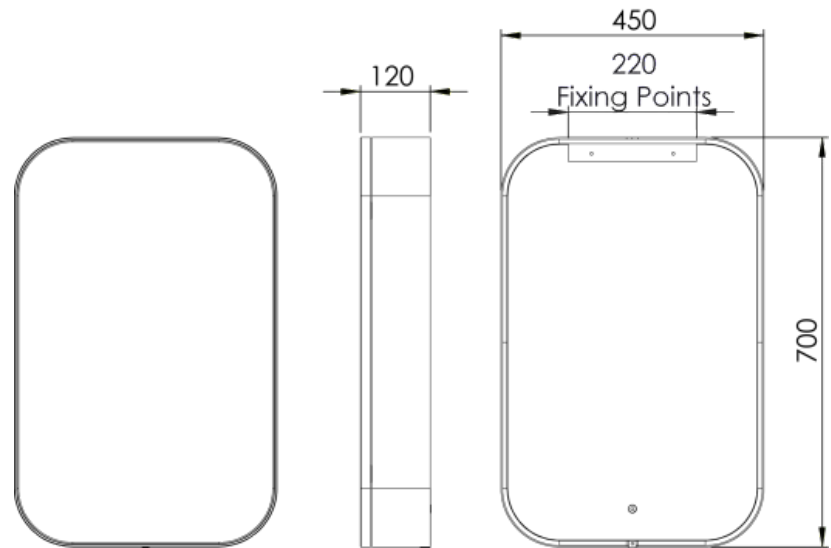
#### FAQs

Please see following pages

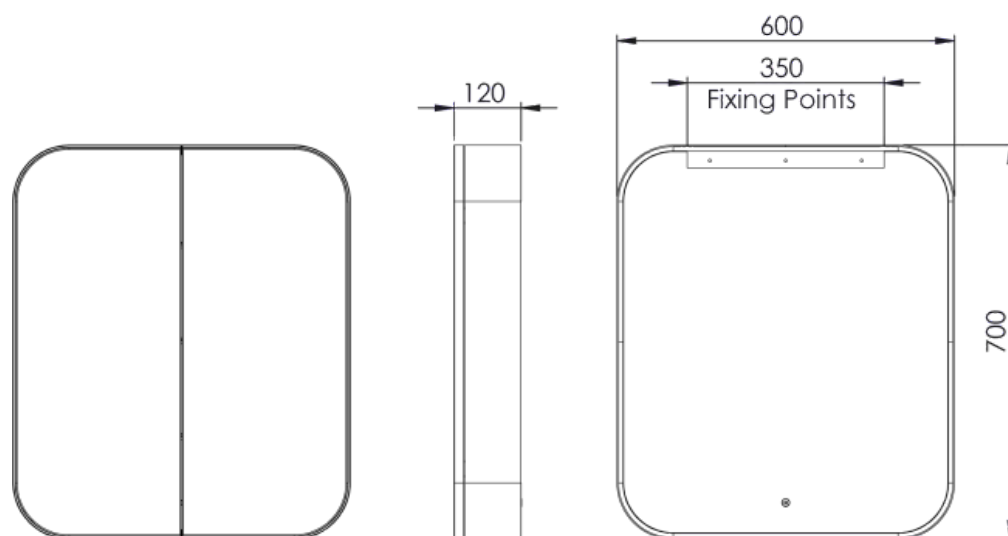
#### Certifications + Accreditations

### Honley Aluminium Cabinet INST06040, INST06041

#### Single Door (INST06040)



#### Double Door (INST06041)



### Honley Aluminium Cabinet INST06040, INST06041

#### FAQs

	INST06040 (Single Door)	INST06041 (Double Door)
Internal Dimensions	416(h) x 666(w) x 89(d) mm	566(h) x 466(w) x 89(d) mm
Shelf dimensions	410(h) x 85(w) x 5(d) mm	559(h) x 85(w) x 5(d) mm
Max shelf spacing	70mm	70mm
Distance between door hinges	422mm	422mm
Individual door dimensions	450(h) x 700(w) x 17.5(d) mm	299(h) x 700(w) x 17.5(d) mm
Max door opening angle	105°	105°
Max depth with door open	524mm	372mm
Hanging bracket centres	–	–
What is the thickness of the mirror glass?	6mm	6mm
Is the cabinet IP44 rated?	–	–
What size fuse should I use?	–	–
What is the total power consumption?	–	–
Does the cabinet have an energy rating?	–	–
What is the colour of the light and the Kelvin rating?	–	–
What is the Lumen of the LEDs?*	–	–
What is the wattage of the lights?	–	–
Where is the IR sensor/rocker switch located?	–	–
Where is the shaver socket located?	–	–
Can the LED lighting be replaced?	–	–
Can the IR sensor/rocker switch be repositioned?	–	–
What is the output of the demister pad?	–	–
What are the dimensions of the demister pad?	–	–
How do I turn on the demister pad?	–	–
Are illuminated cabinets supplied with mains cable?	–	–

\*The Lumen represents the output of the LED. This may vary depending on the diffuser material i.e., glass or acrylic.