

## After care service

### Tips

To secure the cabinet further, a small amount of silicone sealant can be applied to the side of the extrusions to prevent the cabinet being accidentally pulled away from the wall.

To remove the cabinet, the cabinet should first be lifted and then pulled away from the wall.

### Cleaning your product

When cleaning the cabinet or any mirrored surfaces it is recommended to use a soft, dry, non abrasive cloth. Do not use cleaning agents or abrasive materials.

### Troubleshooting & After care service

For any further assistance, please contact our tech support team at: 01225 303 900.

### Compliance

This product complies with all relevant British and European safety standards.



# INSTINCT®



TEL: 01225 303 900

Honley  
Cabinet with Trim - Black  
**Installation & Aftercare Instructions**

Retain for future reference

AO|11.21|V1

## Installation Procedure

**Important:** Before starting the installation process, ensure the wall construction is suitable and can support the weight of the cabinet.

**Note:** The wall plugs supplied are suitable for solid stone / brick walls. For any other wall material use specialist wall plugs.

### Step 1 - Installing the cabinet

1.1 – Using a pencil, mark on the wall where you wish the centre of the top surface of the cabinet to be (1.1).

1.2 – Measure 40mm vertically below this point and make a mark.

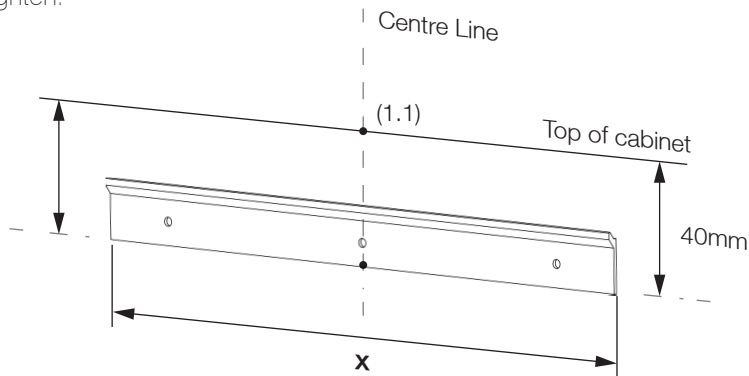
1.3 – Using a spirit level, draw a line of distance X centred on this point and parallel with the floor.

1.4 – Align the centre of the wall bracket with the centre of this line X.

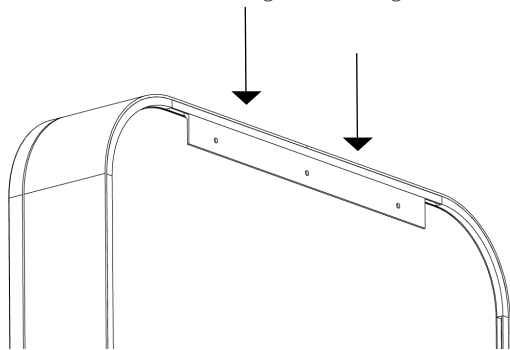
1.5 – Using the wall bracket as a guide, mark the hole positions.

1.6 – Drill the marked holes and fit the wall plugs.

1.7 – Screw the wall bracket into place ensuring the screws are fully tightened but take care not to overtighten.



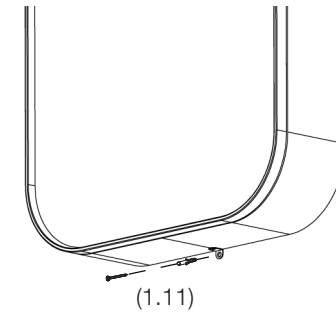
1.8 – Hang the cabinet on the wall bracket and check its level. Make sure the wall bracket has entered the slot and the cabinet is not resting on the edge of the wall bracket.



1.9 – Using the lower bracket as a guide, mark the hole position below the cabinet.

1.10 – Drill the marked holes and fit the wall plugs

1.11 – Screw in the securing screw located on the underside of the cabinet. (1.11)



### Step 2 - Finishing the installation

2.1 – Hang the cabinet on the wall bracket as shown in 1.8. Ensure the wall bracket has entered the slot within the cabinet.

2.2 – Push in the shelf supports into the holes in the groove at the back of the cabinet (2.2).

2.3 – Slide the glass shelf into the shelf supports (2.3).

2.4 – Repeat steps 2.2 to 2.3 for the remaining shelves.

