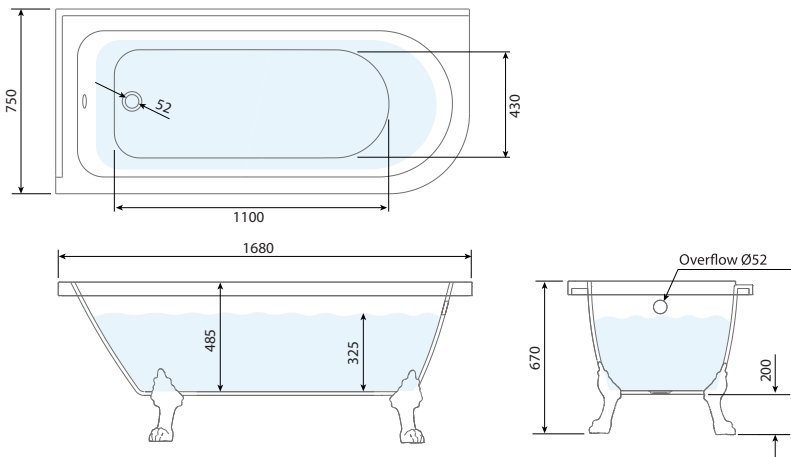


Hemsworth II 1700mm Left Hand Corner Bath INSHE2170LHCBW



Specification

Finish	White
Dimensions	670(h) x 1680(w) x 485/750(d) mm
Weight	36kg
Bath Type	Freestanding
Tapholes	Can be drilled
Water Capacity	192 Litres
Legs Supplied	No
Leg Fixing Type	Lion Foot
Legs Adjustable	Yes
Bath Surface Material	Acrylic
Bath Surface Material Thickness	3.2mm
Waste Supplied	No
Waste Integrated	No
Click Waste Finish	-
Overflow Bath Filler Can Be Fitted	No
Overflow Type	Hole (Bath waste can be fitted)
Overflow Height	325mm
Encapsulated Base Board	Yes
Base Board Material	MDF
Material Used to Cover Base Board	Fibreglass/Resin
Weight of Material used to cover base board	18kg
Bath Frame	No
Bath Frame Material	-



Bath Feet

Gloss White	INSHE2BFW
Matt Black	INSHE2BFMB
Brushed Brass	INSHE2BFBB
Chrome	INSHE2BFC

FAQs

Please see next page

Key Features + Benefits



Certifications + Accreditations

Hemsworth II 1700mm Left Hand Corner Bath INSHE2170LHCBW

FAQs

Q – What Trap is recommended for use with this bathtub?

A – We recommend using an exposed bath trap with this bath tub. The trap will require a 1 1/2" BSP connection to connect with the waste.

Q – Is this bathtub supplied with a waste?

A – No, bathtub click and chain wastes can be purchased separately from the Instinct bathroom collection in a range of finishes.

Q – What colour is the overflow trim?

A – The bathtub is supplied with a pre drilled, neutral overflow hole.

Q – Do I need to purchase a bath tub overflow kit for this bath tub?

A – Yes, an overflow and waste kit can be purchased from the Instinct bathroom collection in a range of finishes.

Q – What filling methods are recommended for this bathtub

A – We recommend using a deckmounted bath filler.

Q – Is this bathtub supplied with feet?

A – No, traditional feet can be purchased separately from the Instinct bathroom collection in a range of finishes.

Q – How heavy is this bathtub?

A – The unfilled weight is 34kg, the filled weight is 226kg. A structural engineer should be consulted to ensure that your floor is strong enough to support the weight of a filled bathtub.

Q – What material is used to make this bathtub?

A – This bathtub is made from a double skin of 3.2mm acrylic, each skin is reinforced by a double layer of insulating fibreglass and resin. The bottom of the bath tub is reinforced using a 6mm thick MDF base board.

Q – Are the feet adjustable?

A – Yes, the feet are adjustable by a range of over 30mm.

Q – What is the overall capacity of the bathtub?

A – 195 Litres.

Q – Are the tap holes pre drilled?

A – Our bath tubs are all supplied with undrilled tap decks.