

Hemsworth Neo Soft Close, Seat + Cover INST4051-SF



Specification

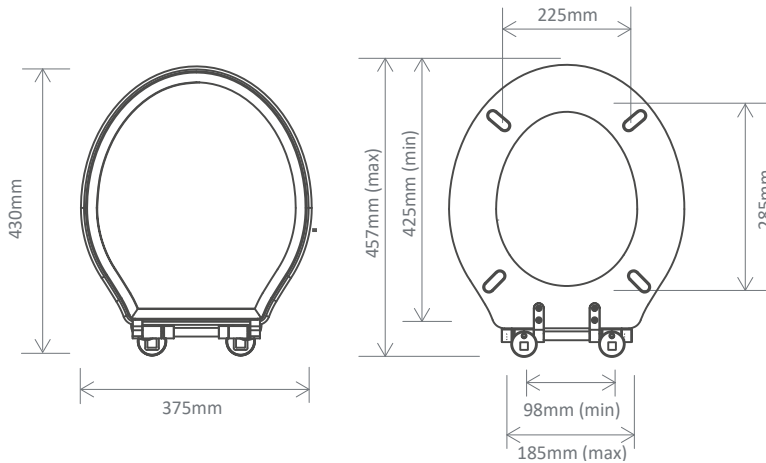
| | |
|--------------------------|----------------------------|
| Finish | Matt Black |
| Dimensions | 57(h) x 375(w) x 430(d) mm |
| Weight | 3.4kg |
| Seat Hinge Material | Zinc Alloy |
| Antibacterial Protection | No |
| Seat Type | Standard |
| UV Protection | No |
| Max Load Test | 150kg |
| Seat Material | MDF |

Spares

| | |
|--|---------|
| Bar Hinge Assembly for Painted Seats | SP14199 |
| Soft Close Toilet Seat Bar Hinge Fixing Pack | SP14200 |
| Spare O-Ring Base Seal (x1) | SP17378 |

FAQs

Please see next page



Extra Dimensions

Seat/Lid Front to Back – 430mm
 Seat/Lid Left to Right – 375mm
 Ring Hole Front to Back – 285mm
 Ring Hole Left to Right – 225mm
 Seat Overall Thickness – 57mm
 Min/Max Adjustment for Fixings – 98/185, 425/457mm

Key Features + Benefits



Years
Guarantee



Soft Close
Seat

Secure-Fix QR

Certifications + Approvals

Roper Rhodes

Brassmill Lane Trading Estate, Bath, BA1 3JF. Technical Support – Tel: 01225 303 900 Email: sales@roperrhodes.co.uk

All information on the data sheet is correct at the time of publication. All measurements are approximate and subject to standard tolerances.

Hemsworth Neo Soft Close, Seat + Cover INST4051-SF

FAQs

Q – What's the maximum test load of the seat?

A – 150kg.

Q – What are the fixings made from?

A – Chrome plated brass bar hinge.