

Hemsworth Neo Soft Close, Seat + Cover INST0413316



Specification

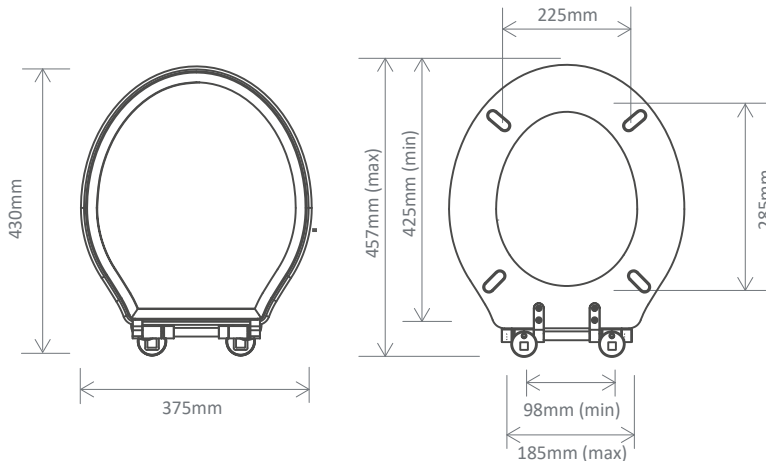
Finish	Matt Linen White
Dimensions	57(h) x 375(w) x 430(d) mm
Weight	3.4kg
Seat Hinge Material	Zinc Alloy
Antibacterial Protection	No
Seat Type	Standard
UV Protection	No
Max Load Test	150kg
Seat Material	MDF

Spares

Bar Hinge Assembly for Painted Seats	SP14199
Soft Close Toilet Seat Bar Hinge Fixing Pack	SP14200
Spare O-Ring Base Seal (x1)	SP17378

FAQs

Please see next page



Extra Dimensions

Seat/Lid Front to Back – 430mm
Seat/Lid Left to Right – 375mm
Ring Hole Front to Back – 285mm
Ring Hole Left to Right – 225mm

Seat Overall Thickness – 57mm
Min/Max Adjustment for Fixings – 98/185, 425/457mm

Key Features + Benefits



Years
Guarantee



Soft Close
Seat

Certifications + Approvals

Roper Rhodes

Brassmill Lane Trading Estate, Bath, BA1 3JF. Technical Support – Tel: 01225 303 900 Email: sales@roperrhodes.co.uk

All information on the data sheet is correct at the time of publication. All measurements are approximate and subject to standard tolerances.

Hemsworth Neo Soft Close, Seat + Cover INST0413316

FAQs

Q – What's the maximum test load of the seat?

A – 150kg.

Q – What are the fixings made from?

A – Chrome plated brass bar hinge.