

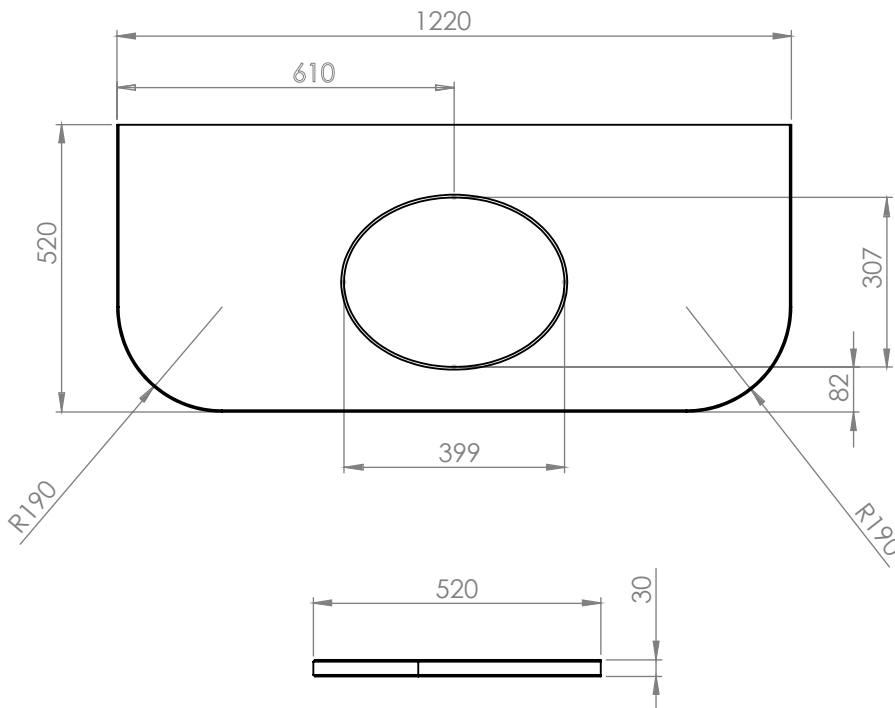
Hemsworth Neo 1200mm One Basin Solid Surface Curved Worktop INST0413295, INST0413296

Specification

Finish	Artic White (INST0413295) Carrara (INST0413296)
Dimensions	25(h) x 1210(w) x 520(d) mm
Weight	24.51kg
Worktop Material	Compound mixture of polyester and aluminium trihydrate
Construction Material	Solid surface
Edging Supplied	No
Stain Resistant	Yes
Colourfast	Yes
Temperature Resistant	Yes

FAQs

Please see next page



Key Features + Benefits

5

Years
Guarantee

Certifications + Approvals

Roper Rhodes

Brassmill Lane Trading Estate, Bath, BA1 3JF. Technical Support – Tel: 01225 303 900 Email: sales@roperrhodes.co.uk

All information on the data sheet is correct at the time of publication. All measurements are approximate and subject to standard tolerances.

Hemsworth Neo 1200mm One Basin Solid Surface Curved Worktop INST0413295, INST0413296

FAQs

Q – What are the worktops made from?

A – A homogenous compound mixture of polyester and aluminium trihydrate (derived from a natural Bauxite ore). Basically the same material all the way through so can be cut and sanded back to perfect finishes. Aluminium trihydrate is Moulded, vacuum treated and then finished by hand to create a perfectly smooth matt finish which is highly dimensionally accurate. Can be sanded and refinished should any stains occur due to misuse. Can be patch repaired by simple sanding back since material is homogenous (same all the way through).

Q – What tools are suitable for cutting the worktop?

A – Fine tooth saw, router, circular or jigsaw. Please refer to the instructions provided.

Q – What cleaning products are suitable for this worktop?

A – Please refer to the instructions provided.