

### Hemsworth Neo Round Two Handle Twin Outlet Exposed Shower Valve (Shower Head + Handset) INSHEN3032



#### Specification

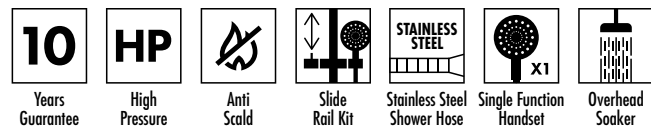
Finish	Chrome
Dimensions	1325(h) x 200(w) x 600(h) mm
Weight	4.7kg
Body Material	-
Hose Material	Stainless Steel
Hose Length	1500mm
Hose Connection	½" BSP
Hose Bore	10mm
Overhead	Adjustable
Overhead Material	Brass
Overhead Size	200mm
Shower Arm Length	545mm
Handset Material	Brass
Handset Functions	Single Function
Valve Inlet Centres	150mm
Valve Connection	15mm / ½" Thread
Valve Handle Material	Brass
Min Operating Pressure	1 Bar
Max Operating Pressure	6 Bar
Max Static Pressure	10 Bar
Max Operating Temperature	43°C
Thermostatic Safety Stop Setting	42°C
Flow Restrictor	No

#### Flow Rates

Pressure	0.2	0.5	1	3
L/min	-	9.6	14.7	21.9

All Pressures in Bar. All flow in L/Min. Dimensions supplied are nominal and subject to tolerance. Inclusion or restrictors (sold separately unless stated) will affect flow rate result. Performance details are based on trials under test conditions and for guidance only. The Company reserves the right to change product specification without prior notice.

#### Key Features + Benefits



#### Certifications + Approvals

Flow Rate – 21.9 l/min

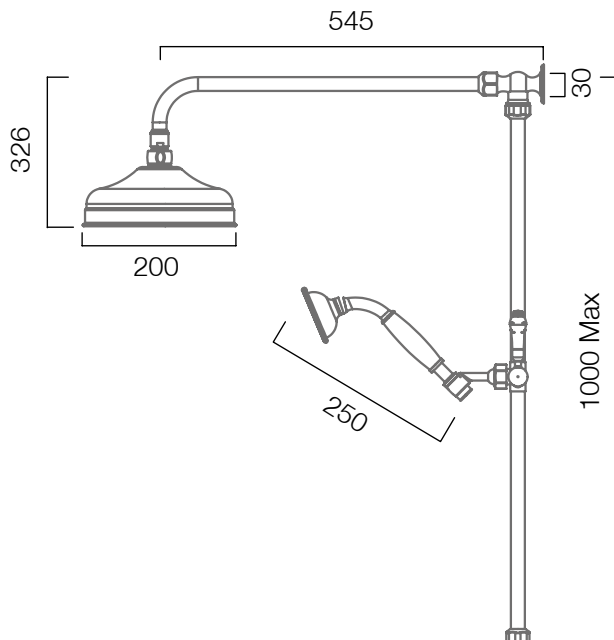
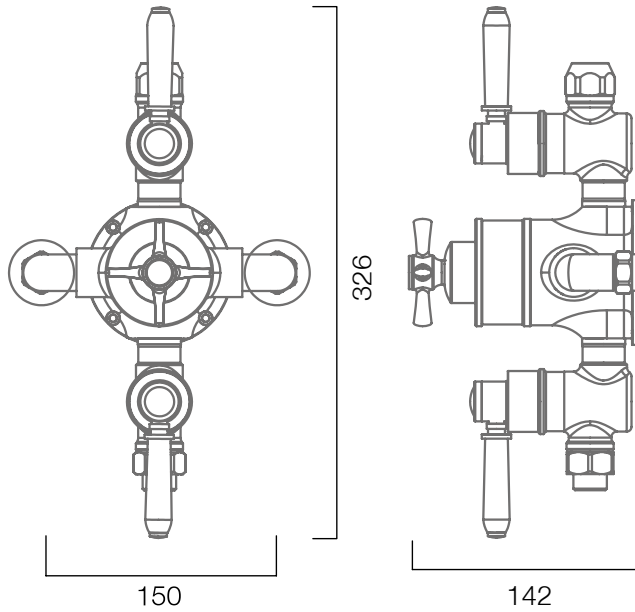
Tested at 3 Bar

#### Roper Rhodes

Brassmill Lane Trading Estate, Bath, BA1 3JF. Technical Support – Tel: 01225 303 900 Email: sales@roperrhodes.co.uk

All information on the data sheet is correct at the time of publication. All measurements are approximate and subject to standard tolerances.

### Hemsworth Neo Round Two Handle Twin Outlet Exposed Shower Valve (Shower Head + Handset) INSHEN3032



#### Spares

Temperature Handle Spares SVR2HANRGT

Trad 1/4 Turn Diverter Valve SP18154

Inlet Elbow with Check Valve and Filter SP18155

XB16-S Thermostatic Cartridge SP18156

Valve Body Fixing Kit SP18157

Temperature Indicator Ring SP18158

Trad Riser Rail Compression Fixing SP18160

Trad Riser Rail Handset Holder SP18161

Trad Exposed Shower Diverter Handle SP19627

### Hemsworth Neo Round Two Handle Twin Outlet Exposed Shower Valve (Shower Head + Handset) INSHEN3032

#### FAQs

**Q – How tall is the riser rail?**

A – 1000mm – this can be cut down if necessary.

**Q – How long is the shower hose?**

A – 1.5m.

**Q – What is the recommended minimum pressure for optimum performance of valve?**

A – 1.0 Bar.

**Q – What is the valve connection size?**

A – ½" suitable for 15mm pipework.

**Q – What materials are the handles made from?**

A – Chrome-plated brass.

**Q – Are fixings included?**

A – Yes.