

### Hemsworth Neo Round Two Handle Twin Outlet Concealed Shower Valve (Shower Head + Handset) INSHEN3031



#### Specification

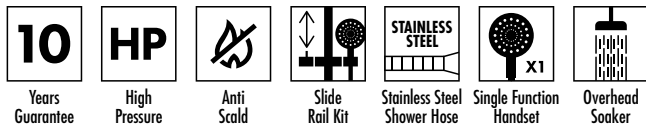
Finish	Chrome
Dimensions	-
Weight	-
Body Material	-
Hose Material	Stainless Steel
Hose Length	1500mm
Hose Connection	½" BSP
Hose Bore	10mm
Overhead	Fixed
Overhead Material	Brass
Overhead Size	200mm
Shower Arm Length	400mm
Handset Material	Brass
Handset Functions	Single Function
Valve Inlet Centres	94mm
Valve Connection	½" Outlets, ¾" Inlets
Valve Handle Material	Brass
Min Operating Pressure	1 Bar
Max Operating Pressure	6 Bar
Max Static Pressure	10 Bar
Max Operating Temperature	43°C
Thermostatic Safety Stop Setting	42°C
Flow Restrictor	No

#### Flow Rates

Pressure	0.2	0.5	1	3
L/min	-	-	9	17.5

All Pressures in Bar. All flow in L/Min. Dimensions supplied are nominal and subject to tolerance. Inclusion or restrictors (sold separately unless stated) will affect flow rate result. Performance details are based on trials under test conditions and for guidance only. The Company reserves the right to change product specification without prior notice.

#### Key Features + Benefits

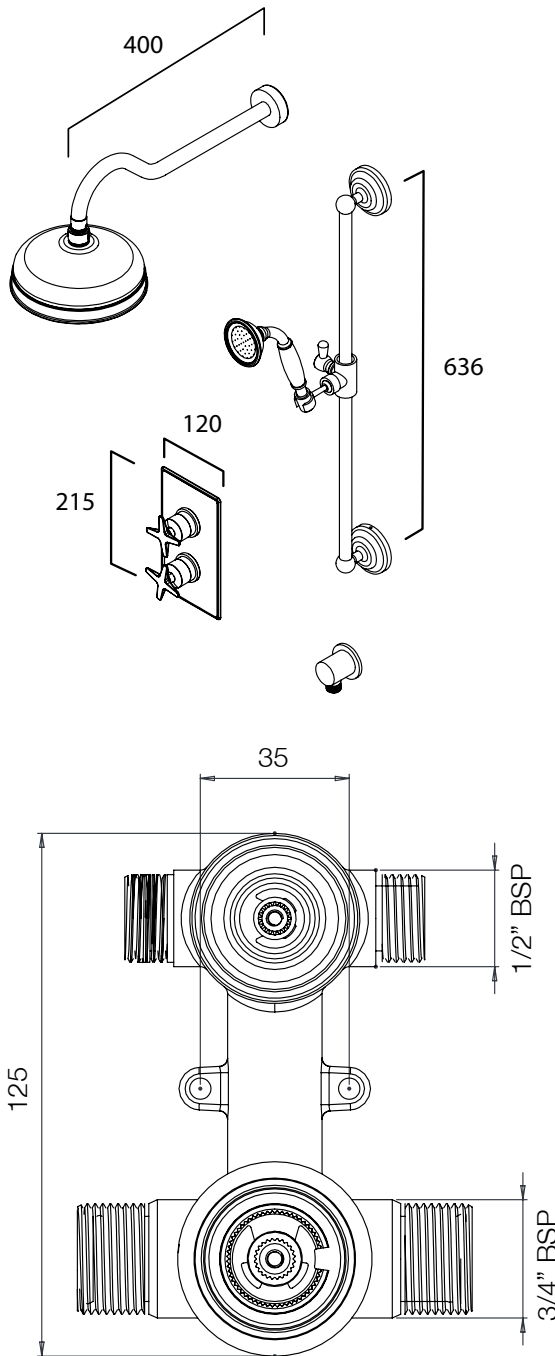


#### Certifications + Approvals

Flow Rate – 17.5 l/min

Tested at 3 Bar

### Hemsworth Neo Round Two Handle Twin Outlet Concealed Shower Valve (Shower Head + Handset) INSHEN3031



**NOTE: VALVE TO BE RECESSED 80-100mm  
FROM FINISHED WALL SURFACE**

#### Spares

Temperature Handle SVR2HANRGT  
Spares

Diverter Handle Spares SVR2HANRGD

Concealed Shower Diverter Cartridge SP18163

Concealed Shower Check Valve Assembly SP18164

Concealed Valve Trad Cover Plate SP18166

Concealed Thermostatic Cartridge SP19544

Trad Riser Wall Bracket SP18466

Trad Slider Handset Holder SP18467

Shower Arm Grub Screw SP18463

Shower Arm Threaded Connector Round SP18464

Shower Elbow Grub Screw SP18479

Shower Elbow Threaded Connector SP18480

### Hemsworth Neo Round Two Handle Twin Outlet Concealed Shower Valve (Shower Head + Handset) INSHEN3031

#### FAQs

**Q – How tall is the riser rail?**

A – 636mm – the riser rail can be cut shorter if necessary.

**Q – How long is the shower hose?**

A – 1.5m.

**Q – What is the recommended minimum pressure for optimum performance of valve?**

A – 1.0 Bar.

**Q – What is the valve connection size?**

A – ½" BSP for outlets / ¾" BSP for inlets.

**Q – What materials are the handles made from?**

A – Chrome-plated brass.

**Q – Are fixings included?**

A – Yes.