

Hemsworth Lever Round Two Handle Twin Outlet Concealed Shower Valve (Shower Head + Handset) INSHE3037



Specification

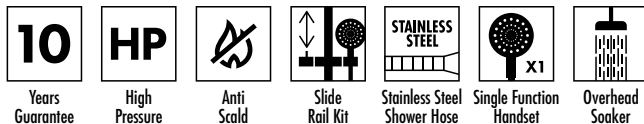
| | |
|----------------------------------|-----------------------|
| Finish | Brushed Brass |
| Dimensions | - |
| Weight | - |
| Body Material | - |
| Hose Material | Stainless Steel |
| Hose Length | 1500mm |
| Hose Connection | ½" BSP |
| Hose Bore | 10mm |
| Overhead | Fixed |
| Overhead Material | Brass |
| Overhead Size | 200mm |
| Shower Arm Length | 400mm |
| Handset Material | Brass |
| Handset Functions | Single Function |
| Valve Inlet Centres | 94mm |
| Valve Connection | ½" Outlets, ¾" Inlets |
| Valve Handle Material | Brass |
| Min Operating Pressure | 1 Bar |
| Max Operating Pressure | 6 Bar |
| Max Static Pressure | 10 Bar |
| Max Operating Temperature | 43°C |
| Thermostatic Safety Stop Setting | 42°C |
| Flow Restrictor | No |

Flow Rates

| Pressure | 0.2 | 0.5 | 1 | 3 |
|----------|-----|-----|---|------|
| L/min | - | - | 9 | 17.5 |

All Pressures in Bar. All flow in L/Min. Dimensions supplied are nominal and subject to tolerance. Inclusion or restrictors (sold separately unless stated) will affect flow rate result. Performance details are based on trials under test conditions and for guidance only. The Company reserves the right to change product specification without prior notice.

Key Features + Benefits



Certifications + Approvals

Flow Rate – 17.5 l/min

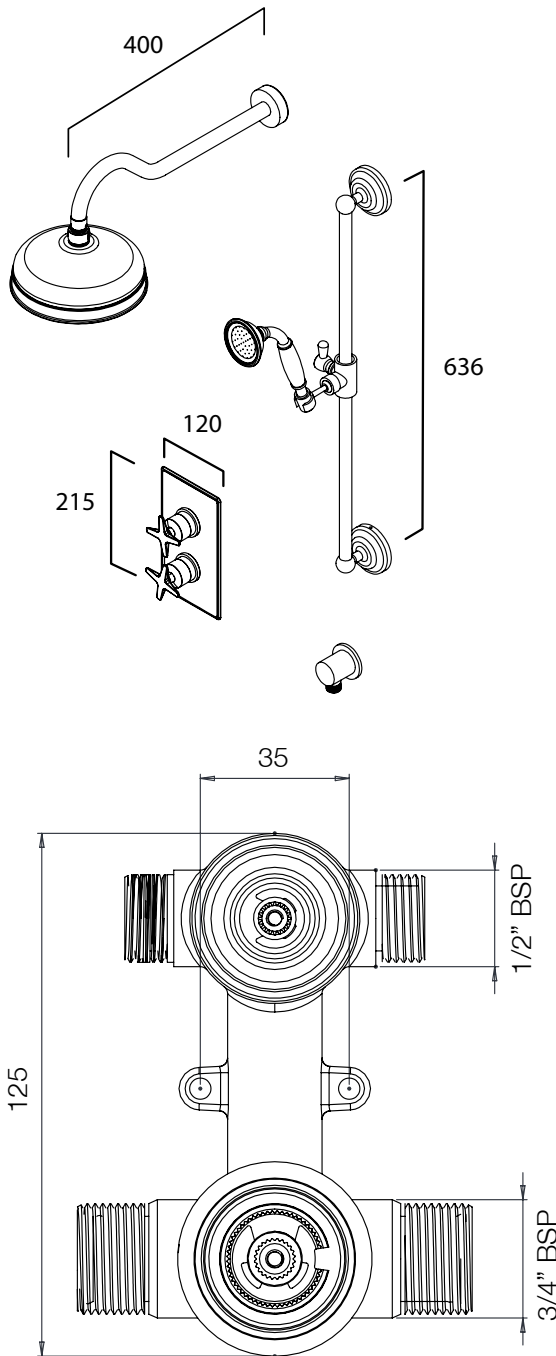
Tested at 3 Bar

Roper Rhodes

Brassmill Lane Trading Estate, Bath, BA1 3JF. Technical Support – Tel: 01225 303 900 Email: sales@roperrhodes.co.uk

All information on the data sheet is correct at the time of publication. All measurements are approximate and subject to standard tolerances.

Hemsworth Lever Round Two Handle Twin Outlet Concealed Shower Valve (Shower Head + Handset) INSHE3037



NOTE: VALVE TO BE RECESSED 80-100mm FROM FINISHED WALL SURFACE

Spares

Temperature Handle SVR2HANHALT
Spares

Diverter Handle Spares SVR2HANHALD

Concealed Shower Diverter Cartridge SP18163

Concealed Shower Check Valve Assembly SP18164

Concealed Valve Trad Cover Plate SP18166

Concealed Thermostatic Cartridge SP19544

Trad Riser Wall Bracket SP18466

Trad Slider Handset Holder SP18467

Shower Arm Grub Screw SP18463

Shower Arm Threaded Connector Round SP18464

Shower Elbow Grub Screw SP18479

Shower Elbow Threaded Connector SP18480

Hemsworth Lever Round Two Handle Twin Outlet Concealed Shower Valve (Shower Head + Handset) INSHE3037

FAQs

Q – How tall is the riser rail?

A – 636mm – the riser rail can be cut shorter if necessary.

Q – How long is the shower hose?

A – 1.5m.

Q – What is the recommended minimum pressure for optimum performance of valve?

A – 1.0 Bar.

Q – What is the valve connection size?

A – ½" BSP for outlets / ¾" BSP for inlets.

Q – Are fixings included?

A – Yes.