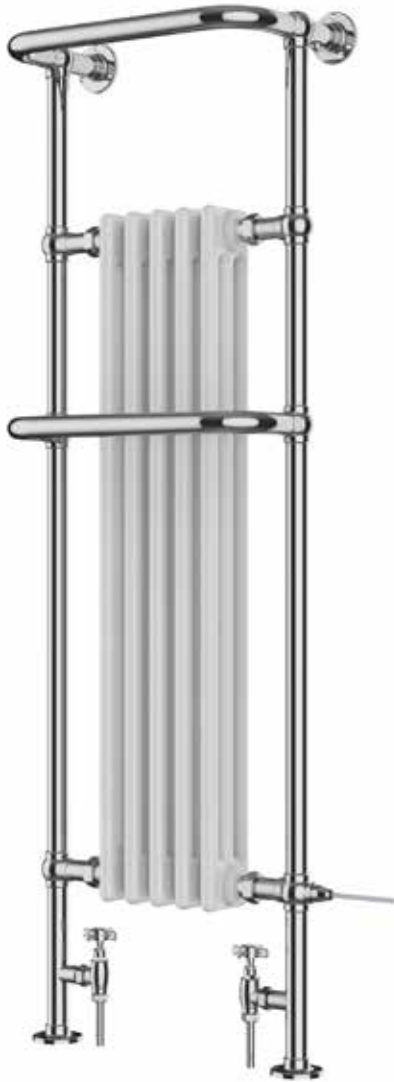


Hemsworth Traditional 1500 x 500mm Towel Rail + Radiator (Dual Fuel) KENSW150050CP-HE



Specification

Finish	Chrome / White
Dimensions	1500(h) x 500(w) x 250(d) mm
Weight	15kg
BTU Output/Hr	2781
Watts @ $\Delta T50^{\circ}C$	815
Bars	1
Pipe Centres	427mm
Electric Element Wattage	-
Face to Face Connections	355mm
Radiator Columns	5
Material	Mild Steel

All heat outputs are shown at $50^{\circ}C \Delta t$ in compliance with BSEN442. Watts and Btu's apply to Heating and Dual Fuel only.

Key Features + Benefits



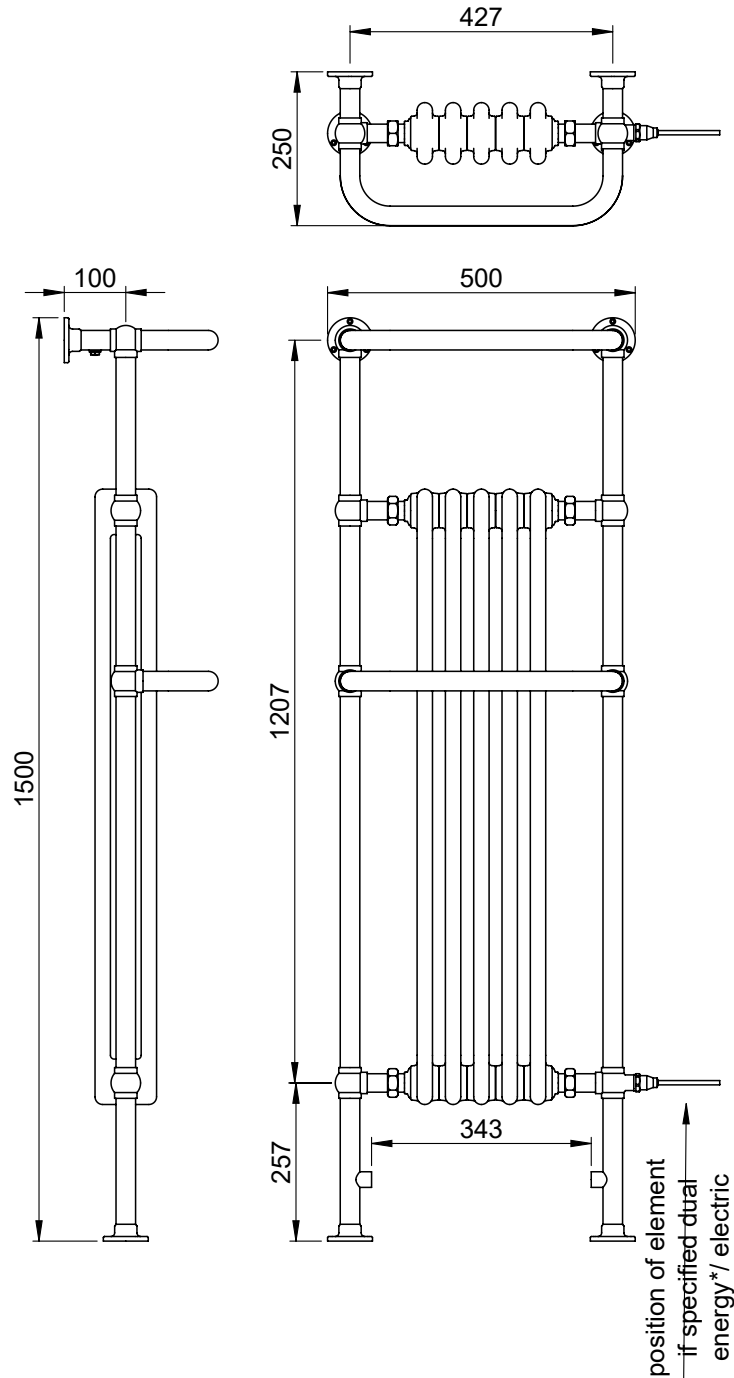
15
Years
Guarantee

MS
Mild
Steel

Certifications + Approvals

Technical Data Sheet | Designer Towel Rails

Hemsworth Traditional 1500 x 500mm Towel Rail + Radiator (Dual Fuel) KENSW150050CP-HE



*Dual energy models require a conversion-tee, consult relevant drawing for details.