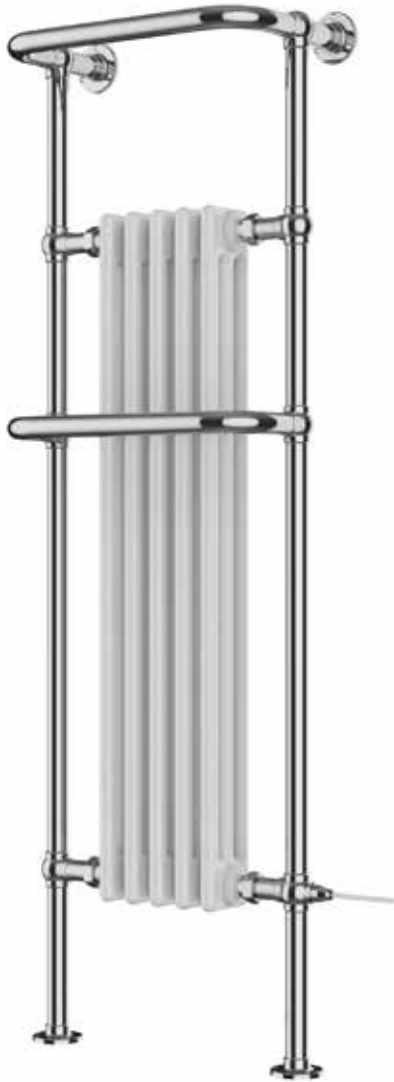


Hemsworth Traditional 1500 x 500mm Towel Rail + Radiator (Electric Only) KENSW150050CPE



Specification

Finish	Chrome / White
Dimensions	1500(h) x 500(w) x 250(d) mm
Weight	25kg
BTU Output/Hr	-
Watts @ Δ T50°C	-
Bars	1
Pipe Centres	427mm
Electric Element Wattage	400
Face to Face Connections	355mm
Radiator Columns	5
Material	Mild Steel

All heat outputs are shown at 50°C Δ t in compliance with BSEN442. Watts and Btu's apply to Heating and Dual Fuel only.

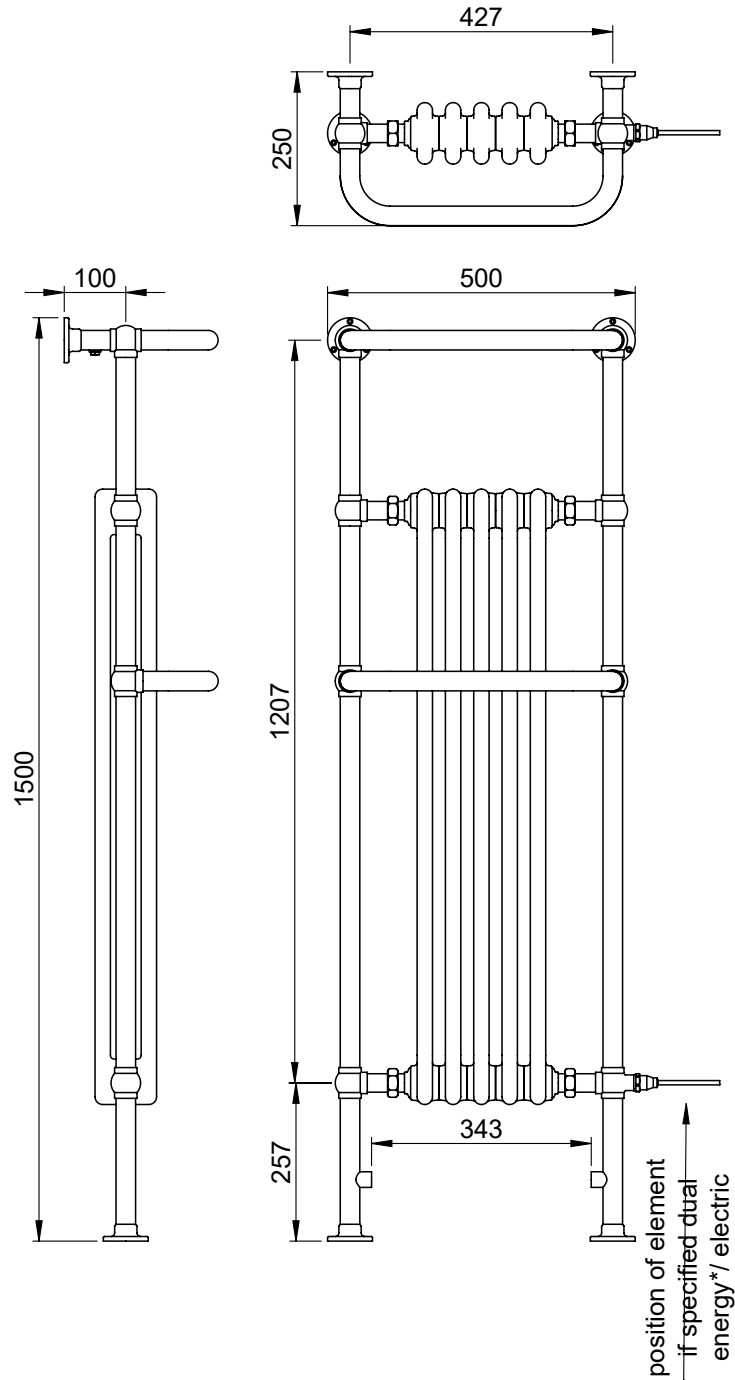
Key Features + Benefits



Certifications + Approvals

Technical Data Sheet | Designer Towel Rails

Hemsworth Traditional 1500 x 500mm Towel Rail + Radiator (Electric Only) KENFW150050CPE



*Dual energy models require a conversion-tee, consult relevant drawing for details.