

Hemsworth Mono Basin Mixer (Click Waste) INST10010



Specification

| | |
|-----------------------|--|
| Finish | Brushed Brass (PVD) |
| Dimensions | 150(h) x 55(w) x 145(d) mm |
| Weight | 1.0kg |
| Body | Brass |
| Fittings | Metal plate, washer, stud & locking nut |
| Connection | M10 – DN8 Flexible hoses with 15mm compression fitting |
| Max Static Pressure | 16 |
| Min Dynamic Pressure | 0.2 |
| Max Dynamic Pressure | 5 |
| Max Water Temperature | 60°C |

Flow Rates

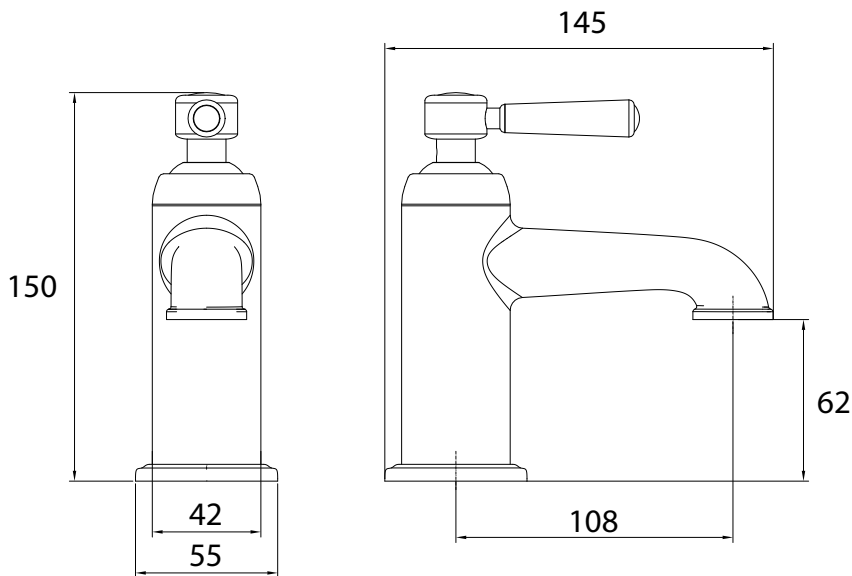
| Pressure | 0.2 | 0.5 | 1.0 | 3.0 |
|--------------|-----|-----|-----|------|
| Flow Aerator | 4.5 | 6.1 | 8.4 | 14.3 |

All Pressures in Bar. All flow in L/Min. Dimensions supplied are nominal and subject to tolerance. Inclusion or restrictors (sold separately unless stated) will affect flow rate result. Performance details are based on trials under test conditions and for guidance only. The Company reserves the right to change product specification without prior notice.

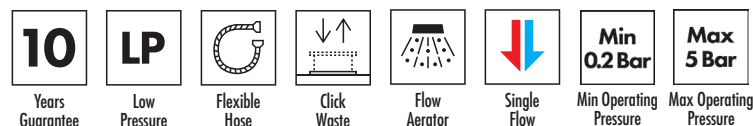
Spares

| | |
|-------------|---------|
| Tap Handles | SP20731 |
| Cartridge | SP21404 |
| Aerator | SP18533 |
| Baseplate | SP20730 |
| Fixing Kit | SP16966 |

The Company is not responsible for the installation of the spares supplied, which must always be fitted by a competent person. Parts supplied are in many cases identical to the original component whilst others are offered as a suitable alternative. All spares listed are suitable for direct replacement unless stated. The Company reserves the right to change product specification without prior notice.



Key Features + Benefits



Certifications + Accreditations

Roper Rhodes

Brassmill Lane Trading Estate, Bath, BA1 3JF Technical Support – Tel: 01225 303 900 Fax: 01225 448 877

All information on the data sheet is correct at the time of publication. All measurements are approximate and subject to standard tolerances.