

Hemsworth Mono Basin Mixer (Click Waste) INST10004



Specification

Finish	Chrome Plate
Dimensions	150(h) x 55(w) x 145(d) mm
Weight	1.0kg
Body	Brass
Fittings	Metal plate, washer, stud & locking nut
Connection	M10 – DN8 Flexible hoses with 15mm compression fitting
Max Static Pressure	16
Min Dynamic Pressure	0.2
Max Dynamic Pressure	5
Max Water Temperature	60°C

Flow Rates

Pressure	0.2	0.5	1.0	3.0
Flow Aerator	4.5	6.1	8.4	14.3

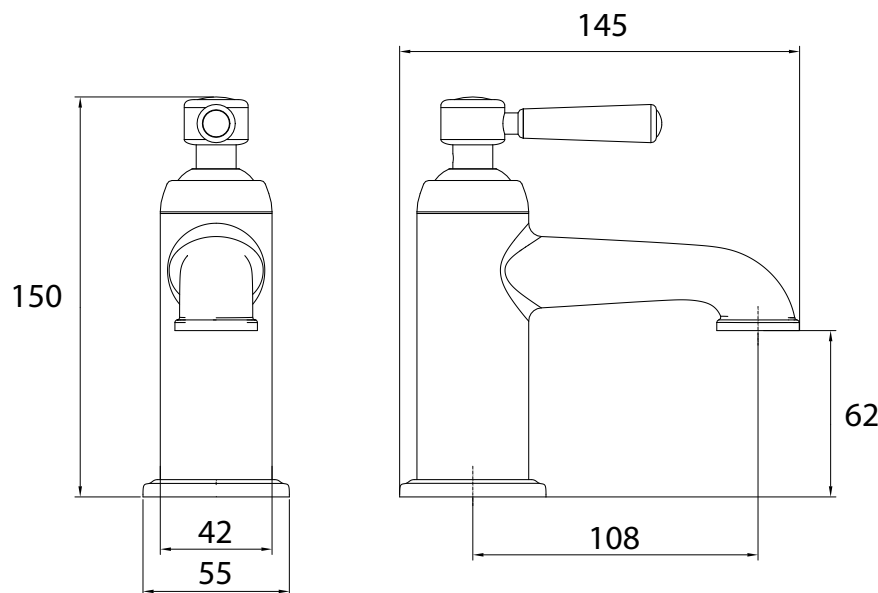
All Pressures in Bar. All flow in L/Min. Dimensions supplied are nominal and subject to tolerance. Inclusion or restrictors (sold separately unless stated) will affect flow rate result. Performance details are based on trials under test conditions and for guidance only. The Company reserves the right to change product specification without prior notice.

Spares

Tap Handles	SP20728
Cartridge	SP21404
Aerator	SP18533
Baseplate	SP20727
Fixing Kit	SP16966

The Company is not responsible for the installation of the spares supplied, which must always be fitted by a competent person. Parts supplied are in many cases identical to the original component whilst others are offered as a suitable alternative. All spares listed are suitable for direct replacement unless stated. The Company reserves the right to change product specification without prior notice.

Certifications + Accreditations



Key Features + Benefits

10 Years Guarantee	LP Low Pressure	 Flexible Hose	 Click Waste	 Flow Aerator	 Single Flow	Min 0.2 Bar Min Operating Pressure	Max 5 Bar Max Operating Pressure
------------------------------	---------------------------	-------------------	-----------------	------------------	-----------------	--	--

Roper Rhodes

Brassmill Lane Trading Estate, Bath, BA1 3JF Technical Support – Tel: 01225 303 900 Fax: 01225 448 877

All information on the data sheet is correct at the time of publication. All measurements are approximate and subject to standard tolerances.