

### Hemsworth Standard Height Short Projection Back To Wall Pan INST02014, INST02011



#### Seat Specification

Soft Close, Bar Hinge, Seat & Cover, Oak (INST02011)

Finish	Oak
Dimensions	57(h) x 375(w) x 430(d) mm
Weight	4.1kg
Seat Hinge Material	Zinc Alloy
Antibacterial Protection	No
Seat Type	Standard
UV Protection	No
Max Load Test	150kg
Seat Material	Solid Oak

#### Pan Specification

Standard Height Short Projection Back To Wall Pan (INST02014)

Finish	White
Dimensions	410(h) x 385(w) x 520(d) mm
Weight	19.3kg
Fixing Supplied	Yes
Fixing Exposed or Concealed	Exposed

#### Spares

Floor Fixing Kit	SP14211
------------------	---------

#### FAQs

Please see next page

#### Key Features + Benefits

<b>20</b>	<b>2</b>			<b>6 Ltr</b>		
Years Guarantee on Ceramics	Years Guarantee on Seats	Back To Wall Pan	Short Projection Pan	Flush Volume	Air Gap Inlet Valve	Soft Close Seat

#### Certifications + Approvals

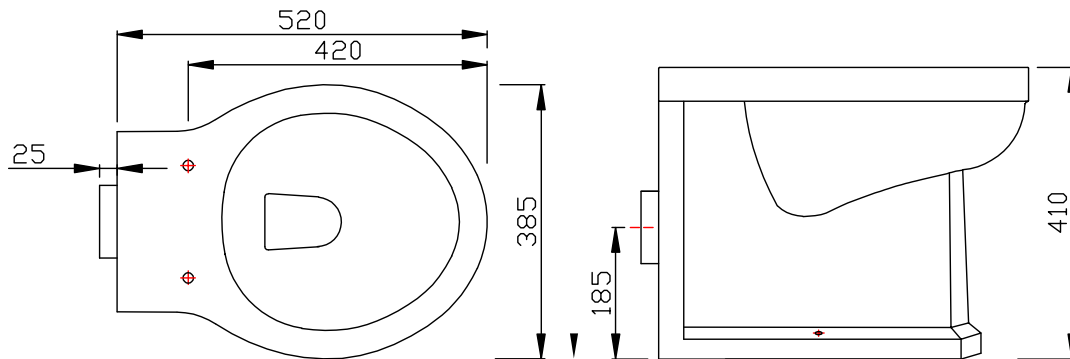
#### Roper Rhodes

Brassmill Lane Trading Estate, Bath, BA1 3JF. Technical Support – Tel: 01225 303 900 Email: sales@roperrhodes.co.uk

All information on the data sheet is correct at the time of publication. All measurements are approximate and subject to standard tolerances.

### Hemsworth Standard Height Short Projection Back To Wall Pan INST02014, INST02011

#### Pan (INST02014)

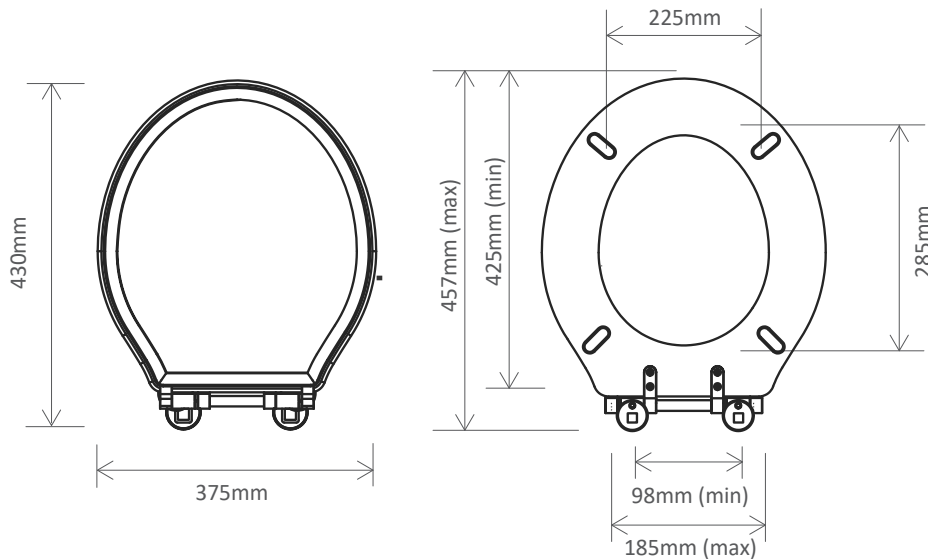


#### Extra Dimensions

Front to Back Footprint – 455mm  
Left to Right Footprint – 215mm  
Bowl Front to Back – 340mm  
Bowl Left to Right – 295mm  
Height Floor to Waste – 180mm

Waste Diameter – 100mm  
Height of Inlet Centre to Floor – 340mm  
Distance from Spigot to back of Pan –  
30mm projection beyond pan

#### Seat (INST02011)



#### Extra Dimensions

Seat/Lid Front to Back – 430mm  
Seat/Lid Left to Right – 375mm  
Ring Hole Front to Back – 285mm  
Ring Hole Left to Right – 225mm

Seat Overall Thickness – 57mm  
Width of Back of Seat – N/A  
Min/Max Adjustment for Fixings –  
98/185, 425/457mm

#### Roper Rhodes

Brassmill Lane Trading Estate, Bath, BA1 3JF. Technical Support – Tel: 01225 303 900 Email: sales@roperrhodes.co.uk

All information on the data sheet is correct at the time of publication. All measurements are approximate and subject to standard tolerances.

### Hemsworth Standard Height Short Projection Back To Wall Pan INST02014, INST02011

#### FAQs

**Q – Are there any other compatible seats?**

A – Yes, INST02012 White Seat.

**Q – Rim type?**

A – Box.

**Q – What's the maximum test load of the seat?**

A – 150kg.

**Q – What are the fixings made from?**

A – Stainless Steel Cover Plates/Screws, Nylon Anchor Plates, Rubber Washers, Rubber Fixing Plugs.