

Hemsworth Standard Height Back To Wall Pan INST02014, INST02011-SF



Seat Specification

Soft Close, Bar Hinge, Seat & Cover, Oak
(INST02011-SF)

Finish	Oak
Dimensions	57(h) x 375(w) x 430(d) mm
Weight	4.1kg
Seat Hinge Material	Zinc Alloy
Antibacterial Protection	No
Seat Type	Standard
UV Protection	No
Max Load Test	150kg
Seat Material	Solid Oak

Pan Specification

Standard Height Back To Wall Pan
(INST02014)

Finish	White
Dimensions	410(h) x 385(w) x 520(d) mm
Weight	19.3kg
Fixing Supplied	Yes
Fixing Exposed or Concealed	Exposed




Spares

Floor Fixing Kit	SP14211
------------------	---------

FAQs

Please see next page

Key Features + Benefits

20	2		6 Ltr		
Years Guarantee on Ceramics	Years Guarantee on Seats	Back To Wall Pan	Flush Volume	Air Gap Inlet Valve	Soft Close Seat

Certifications + Approvals

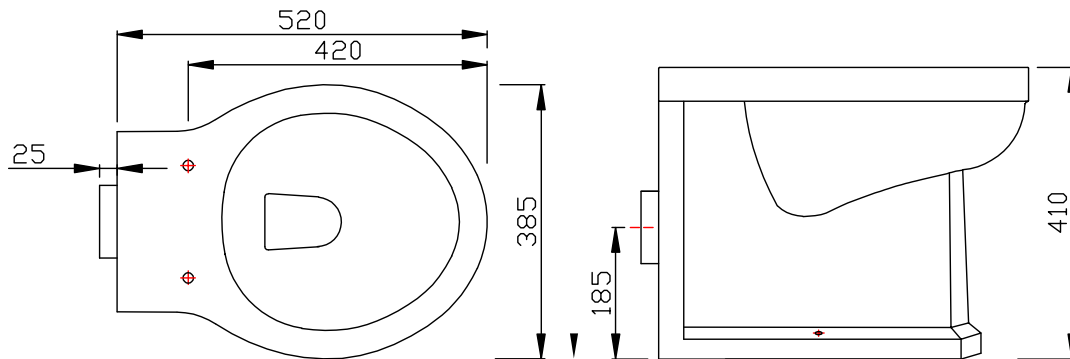
Roper Rhodes

Brassmill Lane Trading Estate, Bath, BA1 3JF. Technical Support – Tel: 01225 303 900 Email: sales@roperrhodes.co.uk

All information on the data sheet is correct at the time of publication. All measurements are approximate and subject to standard tolerances.

Hemsworth Standard Height Back To Wall Pan INSTO2014, INSTO2011-SF

Pan (INSTO2014)



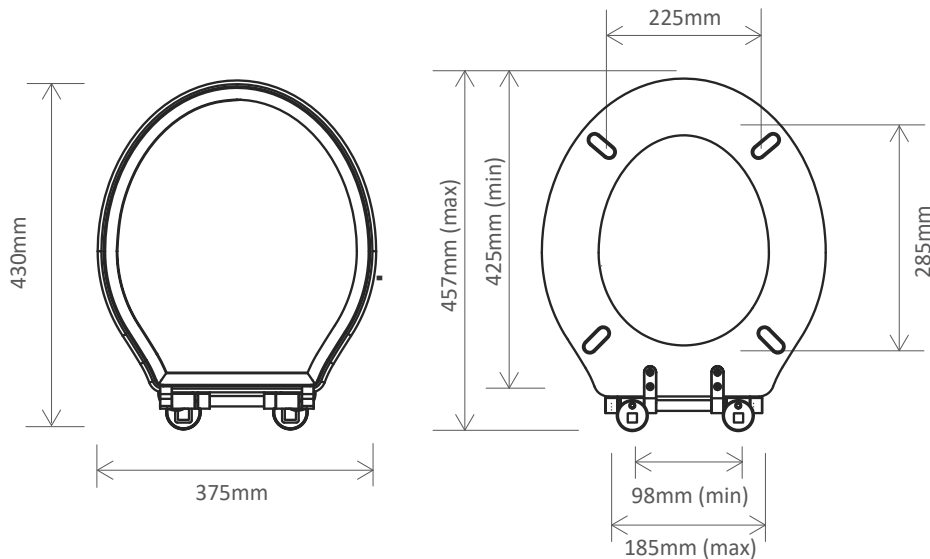
Extra Dimensions

Front to Back Footprint – 455mm
Left to Right Footprint – 215mm
Bowl Front to Back – 340mm
Bowl Left to Right – 295mm
Height Floor to Waste – 180mm

Waste Diameter – 100mm
Height of Inlet Centre to Floor – 340mm
Distance from Spigot to back of Pan –
30mm projection beyond pan

Seat (INSTO2011-SF)

Secure-Fix 



Extra Dimensions

Seat/Lid Front to Back – 430mm
Seat/Lid Left to Right – 375mm
Ring Hole Front to Back – 285mm
Ring Hole Left to Right – 225mm

Seat Overall Thickness – 57mm
Width of Back of Seat – N/A
Min/Max Adjustment for Fixings –
98/185, 425/457mm

Roper Rhodes

Brassmill Lane Trading Estate, Bath, BA1 3JF. Technical Support – Tel: 01225 303 900 Email: sales@roperrhodes.co.uk

All information on the data sheet is correct at the time of publication. All measurements are approximate and subject to standard tolerances.

Technical Data Sheet | Sanitaryware

www.instinctproducts.co.uk

Hemsworth Standard Height Back To Wall Pan INST02014, INST02011-SF

FAQs

Q – Are there any other compatible seats?

A – Yes, INST02012 White Seat.

Q – Rim type?

A – Box.

Q – What's the maximum test load of the seat?

A – 150kg.

Q – What are the fixings made from?

A – Stainless Steel Cover Plates/Screws, Nylon Anchor Plates, Rubber Washers, Rubber Fixing Plugs.

Roper Rhodes

Brassmill Lane Trading Estate, Bath, BA1 3JF. Technical Support – Tel: 01225 303 900 Email: sales@roperrhodes.co.uk

All information on the data sheet is correct at the time of publication. All measurements are approximate and subject to standard tolerances.