

Hemsworth Soft Close, Bar Hinge, Seat & Cover (White) INST02012



Specification

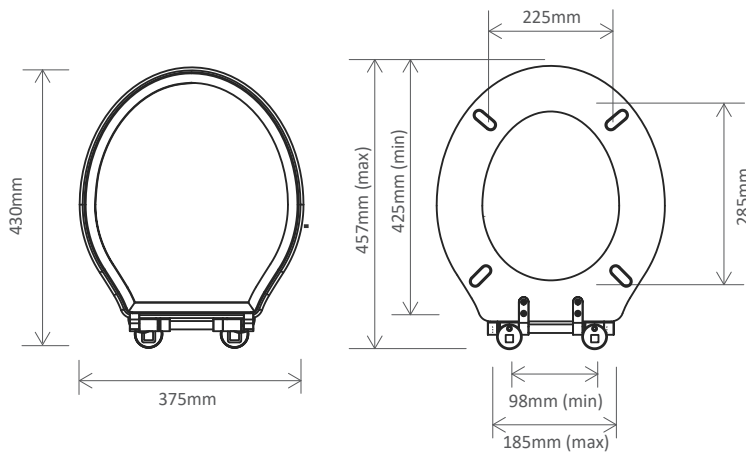
Finish	White
Dimensions	57(h) x 375(w) x 430(d) mm
Weight	3.4kg
Seat Hinge Material	Zinc Alloy
Antibacterial Protection	No
Seat Type	Standard
UV Protection	No
Max Load Test	150kg
Seat Material	MDF

Spares

Toilet Seat Fixing Kit	SP14200
Soft Close Bar Hinge	SP14199
Spare Ring Buffers	SP14442
Spare Lid Buffers	SP14441

FAQs

Please see next page



Extra Dimensions

Seat/Lid Front to Back – 430mm
 Seat/Lid Left to Right – 375mm
 Ring Hole Front to Back – 285mm
 Ring Hole Left to Right – 225mm
 Seat Overall Thickness – 57mm
 Width of Back of Seat – N/A
 Min/Max Adjustment for Fixings – 98/185, 425/457mm

Key Features + Benefits



Years
Guarantee



Soft Close
Seat

Certifications + Approvals

Roper Rhodes

Brassmill Lane Trading Estate, Bath, BA1 3JF. Technical Support – Tel: 01225 303 900 Email: sales@roperrhodes.co.uk

All information on the data sheet is correct at the time of publication. All measurements are approximate and subject to standard tolerances.

Hemsworth Soft Close, Bar Hinge, Seat & Cover (White) INST02012

FAQs

Q – What's the maximum test load of the seat?

A – 150kg.

Q – What are the fixings made from?

A – Chrome Plated Zinc Alloy.