

### Hemsworth Soft Close, Bar Hinge, Seat + Cover (Oak) INST02011-SF



#### Specification

Finish	Oak
Dimensions	57(h) x 375(w) x 430(d) mm
Weight	4.1 kg
Seat Hinge Material	Zinc Alloy
Antibacterial Protection	No
Seat Type	Standard
UV Protection	No
Max Load Test	150kg
Seat Material	Solid Oak

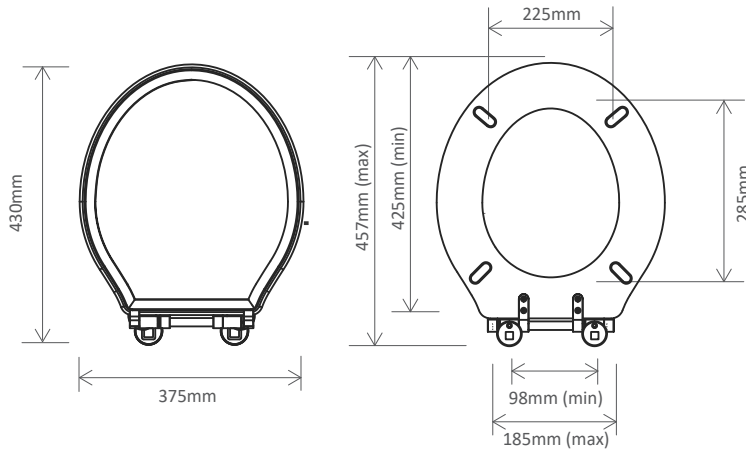
#### Spares

Toilet Seat Fixing Kit	SP14200
Soft Close Bar Hinge	SP14198
Spare Ring Buffers	SP10539
Spare Lid Buffers	SP10539

#### FAQs

Please see next page

#### Secure-Fix



#### Extra Dimensions

Seat/Lid Front to Back – 430mm  
Seat/Lid Left to Right – 375mm  
Ring Hole Front to Back – 285mm  
Ring Hole Left to Right – 225mm

Seat Overall Thickness – 57mm  
Width of Back of Seat – N/A  
Min/Max Adjustment for Fixings –  
98/185, 425/457mm

#### Key Features + Benefits

**2**

Years  
Guarantee



Soft Close  
Seat

#### Certifications + Approvals

#### Roper Rhodes

Brassmill Lane Trading Estate, Bath, BA1 3JF. Technical Support – Tel: 01225 303 900 Email: sales@roperrhodes.co.uk

All information on the data sheet is correct at the time of publication. All measurements are approximate and subject to standard tolerances.

### Hemsworth Soft Close, Bar Hinge, Seat + Cover (Oak) INST02011-SF

#### FAQs

**Q – What's the maximum test load of the seat?**

A – 150kg.

**Q – What are the fixings made from?**

A – Chrome Plated Zinc Alloy.