

Hemsworth Standard Height Open Back High Level WC Suite INSTO2009, INSTO2004, INSTO2005, INSTO2011



Cistern Specification

High Level Cistern Inc Fittings
(INSTO2004)

Finish	White
Dimensions	330(h) x 481(w) x 205(d) mm
Weight	14.5kg
Cistern Fitting Manufacturer	Wirquin
Lever	Chain pull
Lever Position	Right hand
Inlet Position (When looking at WC)	Right hand side

Seat Specification

Soft Close, Bar Hinge, Seat & Cover, Oak
(INSTO2011)

Finish	Oak
Dimensions	57(h) x 375(w) x 430(d) mm
Weight	4.1 kg
Seat Hinge Material	Zinc Alloy
Antibacterial Protection	No
Seat Type	Standard
UV Protection	No
Max Load Test	150kg
Seat Material	Solid Oak

Pan Specification

Standard Height Short Projection Open Back
High / Low Level Pan
(INSTO2009)

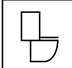





Finish	White
Dimensions	400(h) x 375(w) x 438(d) mm
Weight	14.5kg
Fixing Supplied	Yes
Fixing Exposed or Concealed	Exposed

Pipe / Bracket Kit Specification

High Level Pipe / Bracket Kit
(INSTO2005)

Finish	Chrome
Dimensions	-
Weight	2.5kg

Key Features + Benefits

20	2	2	1						
Years Guarantee on Ceramics	Years Guarantee on Seats	Years Guarantee on Cistern Components	Year Guarantee on Bracket Kit	Open Back WC Suite	High Level WC Suite	Right Hand Flush	Flush Volume	Air Gap Inlet Valve	Soft Close Seat

Certifications + Approvals

Roper Rhodes

Brassmill Lane Trading Estate, Bath, BA1 3JF. Technical Support – Tel: 01225 303 900 Email: sales@roperrhodes.co.uk

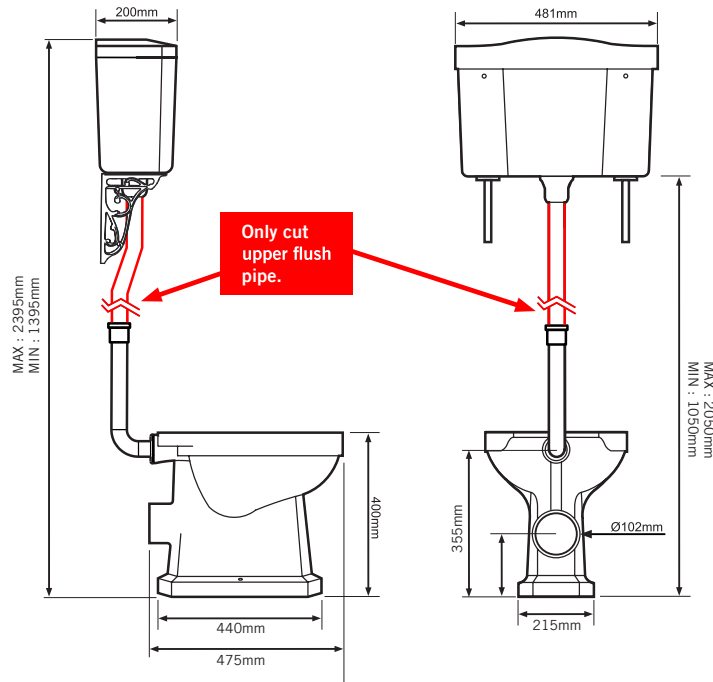
All information on the data sheet is correct at the time of publication. All measurements are approximate and subject to standard tolerances.

Technical Data Sheet | Sanitaryware

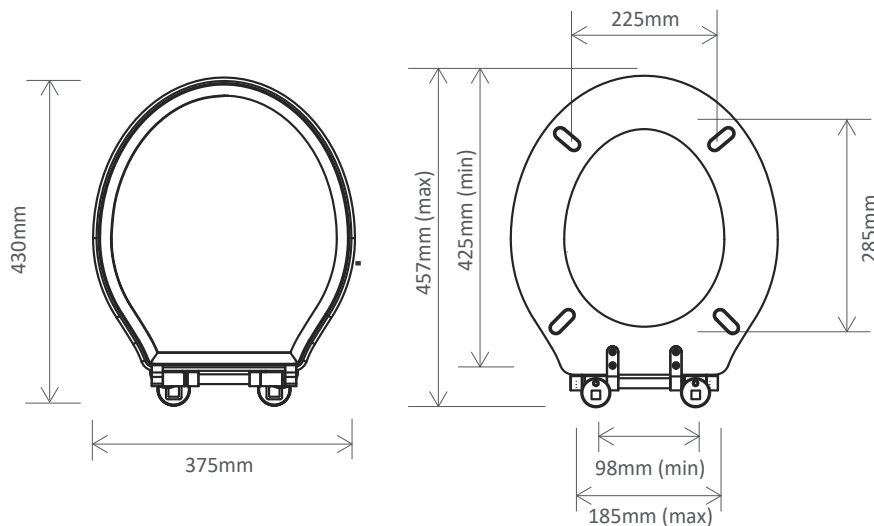
www.instinctproducts.co.uk

Hemsworth Standard Height Open Back High Level WC Suite INSTO2009, INSTO2004, INSTO2005, INSTO2011

Pan (INSTO2009), Cistern (INSTO2004) + Pipe / Bracket Kit (INSTO2005)



Seat (INSTO2011)



Extra Dimensions

Seat/Lid Front to Back – 430mm
Seat/Lid Left to Right – 375mm
Ring Hole Front to Back – 285mm
Ring Hole Left to Right – 225mm

Seat Overall Thickness – 57mm
Width of Back of Seat – N/A
Min/Max Adjustment for Fixings –
98/185, 425/457mm

Spares

Floor Fixing Kit	SP14211
High Level Cistern	SP13978
Fitting Pack (Ball Valve, Siphon Etc)	

FAQs

Please see next page

Roper Rhodes

Brassmill Lane Trading Estate, Bath, BA1 3JF. Technical Support – Tel: 01225 303 900 Email: sales@roperrhodes.co.uk

All information on the data sheet is correct at the time of publication. All measurements are approximate and subject to standard tolerances.

Hemsworth Standard Height Open Back High Level WC Suite INST02009, INST02004, INST02005, INST02011

FAQs

Q – What side is the inlet located?

A – Right hand side.

Q – Can this pan be used with a side connection outlet pipe?

A – Yes.

Q – The cistern lid won't shut/the cistern isn't working correctly?

A – Ensure the inlet and flush valves are set to the correct heights.

Q – What is the flush volume?

A – 6L.

Q – Is this WC rimless or box rim?

A – Box.

Q – Does it have an airgap?

A – Yes.

Q – Can the pull chain be installed on the left?

A – No.

Q – Are there any other compatible seats?

A – Yes, INST02012 White seat.

Q – What's the maximum test load of the seat?

A – 150kg.

Q – What are the fixings made from?

A – Chrome Plated Zinc Alloy.