

Hemsworth Standard Height Open Back Low Level WC Suite INST02009, INST02002, INST02006, INST02011-SF



Cistern Specification

Low Level Cistern Inc Fittings
(INST02002)

Finish	White
Dimensions	330(h) x 481(w) x 200(d) mm
Weight	14.5kg
Cistern Fitting Manufacturer	R&T
Lever	Lever
Lever Position	Right hand
Inlet Position (When looking at WC)	Bottom right

Seat Specification

Soft Close, Bar Hinge, Seat & Cover, Oak
(INST02011-SF)

Finish	Oak
Dimensions	57(h) x 375(w) x 430(d) mm
Weight	4.1 kg
Seat Hinge Material	Zinc Alloy
Antibacterial Protection	No
Seat Type	Standard
UV Protection	No
Max Load Test	150kg
Seat Material	Solid Oak

Pan Specification

Standard Height Short Projection Open Back
High / Low Level Pan
(INST02009)

Finish	White
Dimensions	400(h) x 375(w) x 438(d) mm
Weight	14.5kg
Fixing Supplied	Yes
Fixing Exposed or Concealed	Exposed

Pipe Specification

Low Level Flush Pipe
(INST02006)

Finish	Chrome
Dimensions	-
Weight	0.6kg

Key Features + Benefits

20	2	2	1				6 Ltr		
Years Guarantee on Ceramics	Years Guarantee on Seats	Years Guarantee on Cistern Components	Year Guarantee on Bracket Kit	Open Back WC Suite	Low Level WC Suite	Right Hand Flush	Flush Volume	Air Gap Inlet Valve	Soft Close Seat

Certifications + Approvals

Roper Rhodes

Brassmill Lane Trading Estate, Bath, BA1 3JF. Technical Support – Tel: 01225 303 900 Email: sales@roperrhodes.co.uk

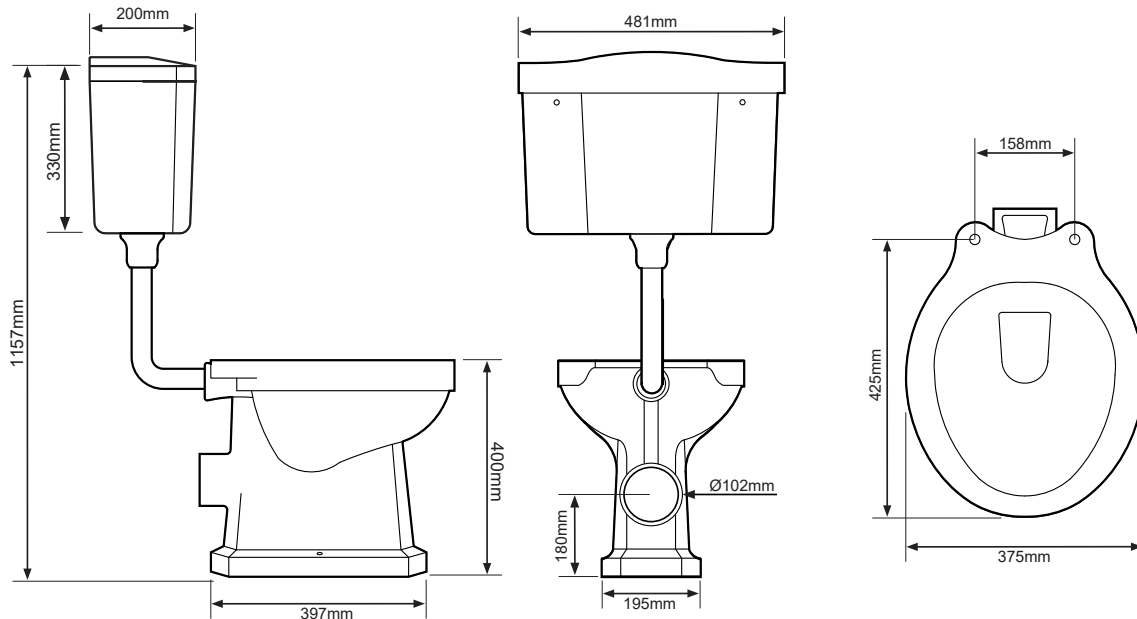
All information on the data sheet is correct at the time of publication. All measurements are approximate and subject to standard tolerances.

Technical Data Sheet | Sanitaryware

www.instinctproducts.co.uk

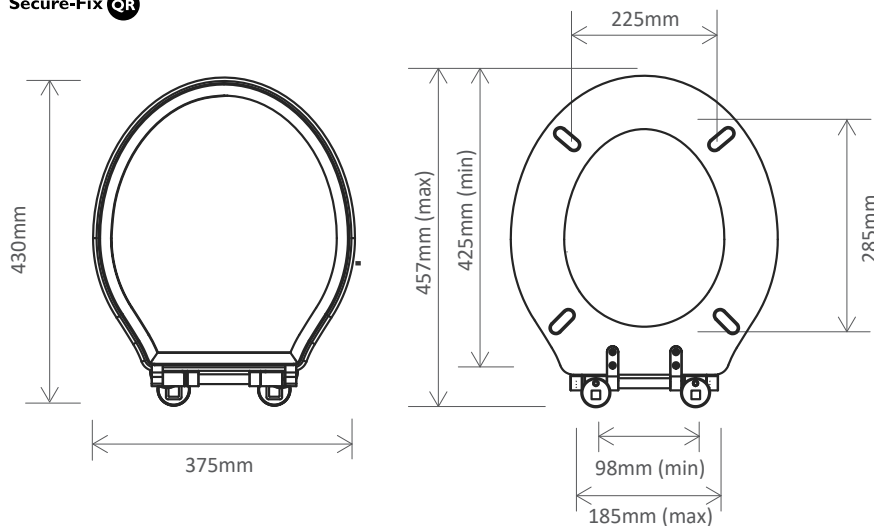
Hemsworth Standard Height Open Back Low Level WC Suite INST02009, INST02002, INST02006, INST02011-SF

Pan (INST02009), Cistern (INST02002) + Pipe (INST02006)



Seat (INST02011-SF)

Secure-Fix



Extra Dimensions

Seat/Lid Front to Back – 430mm
Seat/Lid Left to Right – 375mm
Ring Hole Front to Back – 285mm
Ring Hole Left to Right – 225mm

Seat Overall Thickness – 57mm
Width of Back of Seat – N/A
Min/Max Adjustment for Fixings –
98/185, 425/457mm

Spares

Floor Fixing Kit	SP14211
Close Coupled / LL Bottom Fill Cistern Fittings Kit (Pre Air Gap)	SPT125
Cable Operated Flush Valve with Telescopic Overflow (A24326 – Includes Ceramic Flush Handle)	SP19531
Rubber Flap Seal (For A24326 Flush Valve)	SP19617
Air Gap Inlet Valve (Tall)	SP19529
Rubber Diaphragm (Air Gap Inlet Valve)	SP19616
Ø90 Close Coupled Cistern Foam Gasket / Donut Washer H15	SP19535
Brass Tank Fixing Bolt Set (With M6*80mm Bolts)	SP19542
Low Level Pipe Kit Bezel	SP14781
Low Level Chrome Plated Brass Pipe	SP14783
Low Level Pipe Kit O-Ring	SP14782

Roper Rhodes

Brassmill Lane Trading Estate, Bath, BA1 3JF. Technical Support – Tel: 01225 303 900 Email: sales@roperrhodes.co.uk

All information on the data sheet is correct at the time of publication. All measurements are approximate and subject to standard tolerances.

Hemsworth Standard Height Open Back Low Level WC Suite INST02009, INST02002, INST02006, INST02011-SF

FAQs

Q – What side is the inlet located?

A – Right hand side.

Q – Can this pan be used with a side connection outlet pipe?

A – Yes.

Q – The cistern lid won't shut/the cistern isn't working correctly?

A – Ensure the inlet and flush valves are set to the correct heights.

Q – What is the flush volume?

A – 6L.

Q – Is this WC rimless or box rim?

A – Box.

Q – Does it have an airgap?

A – Yes.

Q – Is the flush handle reversible?

A – No, only right hand side.

Q – Are there any other compatible seats?

A – Yes, INST02012 White seat.

Q – What's the maximum test load of the seat?

A – 150kg.

Q – What are the fixings made from?

A – Chrome Plated Zinc Alloy.