

Hemsworth Standard Height Open Back Low Level WC Suite INST02009, INST02002, INST02006BB, INST02012-SF



Cistern Specification

Low Level Cistern Inc Fittings
(INST02002)

| | |
|--|-----------------------------|
| Finish | White |
| Dimensions | 330(h) x 481(w) x 200(d) mm |
| Weight | 14.5kg |
| Cistern Fitting Manufacturer | R&T |
| Lever | Lever |
| Lever Position | Right hand |
| Inlet Position (When looking at WC) | Bottom right |

Seat Specification

Soft Close, Bar Hinge, Seat & Cover, White
(INST02012-SF)

| | |
|--------------------------|----------------------------|
| Finish | White |
| Dimensions | 57(h) x 375(w) x 430(d) mm |
| Weight | 3.4kg |
| Seat Hinge Material | Zinc Alloy |
| Antibacterial Protection | No |
| Seat Type | Standard |
| UV Protection | No |
| Max Load Test | 150kg |
| Seat Material | MDF |

Pan Specification

Standard Height Open Back High / Low Level Pan
(INST02009)

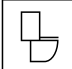





| | |
|-----------------------------|-----------------------------|
| Finish | White |
| Dimensions | 400(h) x 375(w) x 438(d) mm |
| Weight | 14.5kg |
| Fixing Supplied | Yes |
| Fixing Exposed or Concealed | Exposed |

Pipe Specification

Low Level Flush Pipe (Inc Lever Handle)
(INST02006BB)

| | |
|------------|---------------|
| Finish | Brushed Brass |
| Dimensions | - |
| Weight | 0.6kg |

Key Features + Benefits

| | | | | | | | | | |
|-----------------------------|--------------------------|---------------------------------------|-------------------------------|---|---|---|---|---|--|
| 20 | 2 | 2 | 1 |  |  |  |  |  |  |
| Years Guarantee on Ceramics | Years Guarantee on Seats | Years Guarantee on Cistern Components | Year Guarantee on Bracket Kit | Open Back WC Suite | Low Level WC Suite | Right Hand Flush | Flush Volume | Air Gap Inlet Valve | Soft Close Seat |

Certifications + Approvals

Roper Rhodes

Brassmill Lane Trading Estate, Bath, BA1 3JF. Technical Support – Tel: 01225 303 900 Email: sales@roperrhodes.co.uk

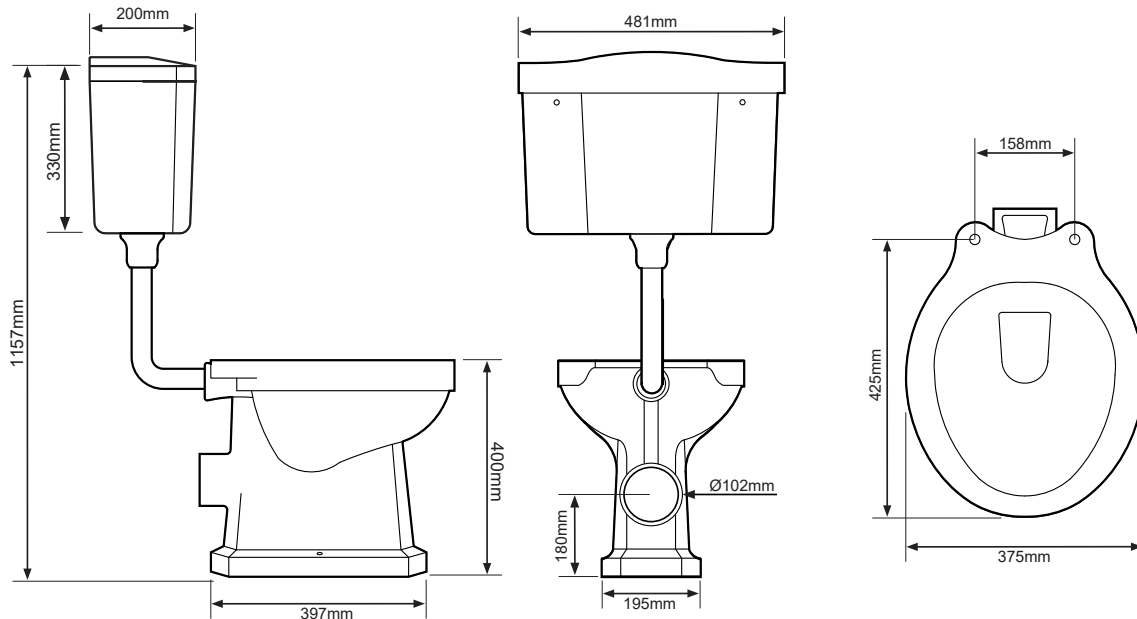
All information on the data sheet is correct at the time of publication. All measurements are approximate and subject to standard tolerances.

Technical Data Sheet | Sanitaryware

www.instinctproducts.co.uk

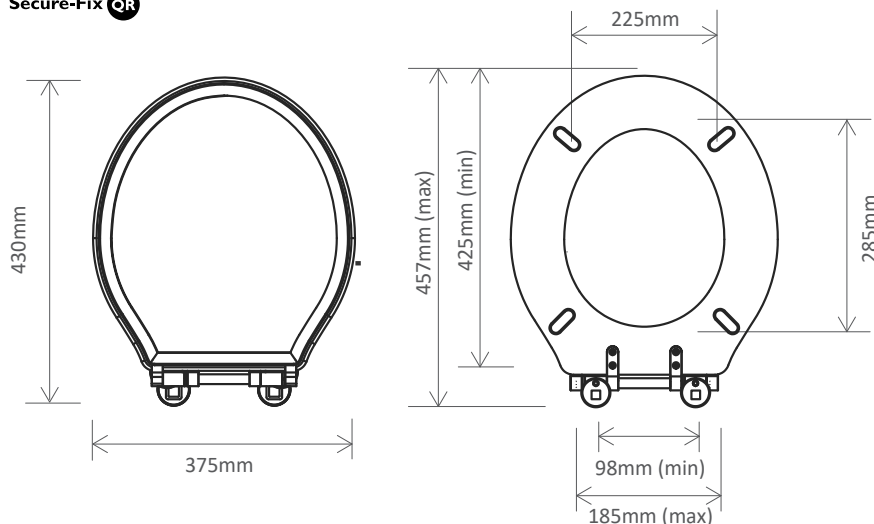
Hemsworth Standard Height Open Back Low Level WC Suite INST02009, INST02002, INST02006BB, INST02012-SF

Pan (INST02009), Cistern (INST02002) + Pipe (INST02006BB)



Seat (INST02012-SF)

Secure-Fix 



Extra Dimensions

Seat/Lid Front to Back – 430mm
Seat/Lid Left to Right – 375mm
Ring Hole Front to Back – 285mm
Ring Hole Left to Right – 225mm

Seat Overall Thickness – 57mm
Width of Back of Seat – N/A
Min/Max Adjustment for Fixings – 98/185, 425/457mm

Spares

| | |
|--|---------|
| Floor Fixing Kit | SP14211 |
| Close Coupled / LL Bottom Fill Cistern Fittings Kit (Pre Air Gap) | SPT125 |
| Cable Operated Flush Valve with Telescopic Overflow (A24326 – Includes Ceramic Flush Handle) | SP19531 |
| Rubber Flap Seal (For A24326 Flush Valve) | SP19617 |
| Air Gap Inlet Valve (Tall) | SP19529 |
| Rubber Diaphragm (Air Gap Inlet Valve) | SP19616 |
| Ø90 Close Coupled Cistern Foam Gasket / Donut Washer H15 | SP19535 |
| Brass Tank Fixing Bolt Set (With M6*80mm Bolts) | SP19542 |
| Low Level Pipe Kit Bezel | SP14781 |
| Low Level Chrome Plated Brass Pipe | SP14783 |
| Low Level Pipe Kit O-Ring | SP14782 |

Roper Rhodes

Brassmill Lane Trading Estate, Bath, BA1 3JF. Technical Support – Tel: 01225 303 900 Email: sales@roperrhodes.co.uk

All information on the data sheet is correct at the time of publication. All measurements are approximate and subject to standard tolerances.

Hemsworth Standard Height Open Back Low Level WC Suite INST02009, INST02002, INST02006BB, INST02012-SF

FAQs

Q – What side is the inlet located?

A – Right hand side.

Q – Can this pan be used with a side connection outlet pipe?

A – Yes.

Q – The cistern lid won't shut/the cistern isn't working correctly?

A – Ensure the inlet and flush valves are set to the correct heights.

Q – What is the flush volume?

A – 6L.

Q – Is this WC rimless or box rim?

A – Box.

Q – Does it have an airgap?

A – Yes.

Q – Is the flush handle reversible?

A – No, only right hand side.

Q – Are there any other compatible seats?

A – Yes, INST02011-SF Oak seat.

Q – What's the maximum test load of the seat?

A – 150kg.

Q – What are the fixings made from?

A – Chrome Plated Zinc Alloy.