

### Hemsworth Standard Height Open Back Close Coupled WC Suite INST02007, INST02001, INST02011



#### Cistern Specification

Close Coupled Cistern  
(INST02001)

Finish	White
Dimensions	330(h) x 481(w) x 205(d) mm
Weight	14.5kg
Cistern Fitting Manufacturer	R&T
Lever	Lever
Lever Position	Right hand
Inlet Position (When looking at WC)	Bottom right

#### Seat Specification

Soft Close, Bar Hinge, Seat & Cover, Oak  
(INST02011)

Finish	Oak
Dimensions	57(h) x 375(w) x 430(d) mm
Weight	4.1kg
Seat Hinge Material	Zinc Alloy
Antibacterial Protection	No
Seat Type	Standard
UV Protection	No
Max Load Test	150kg
Seat Material	Solid Oak

#### Pan Specification

Standard Height Open Back Close Coupled Pan  
(INST02007)

Finish	White
Dimensions	421(h) x 373(w) x 673(d) mm
Weight	24kg
Fixing Supplied	Yes
Fixing Exposed or Concealed	Exposed


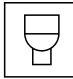




#### Spares

Please see next page

#### FAQs

Please see next page

#### Key Features + Benefits

<b>20</b>	<b>2</b>	<b>2</b>						
Years Guarantee on Ceramics	Years Guarantee on Seats	Years Guarantee on Cistern Components	Open Back WC Suite	Close Coupled WC Suite	Right Hand Flush	Dual Flush Volume	Air Gap Inlet Valve	Soft Close Seat

#### Certifications + Approvals

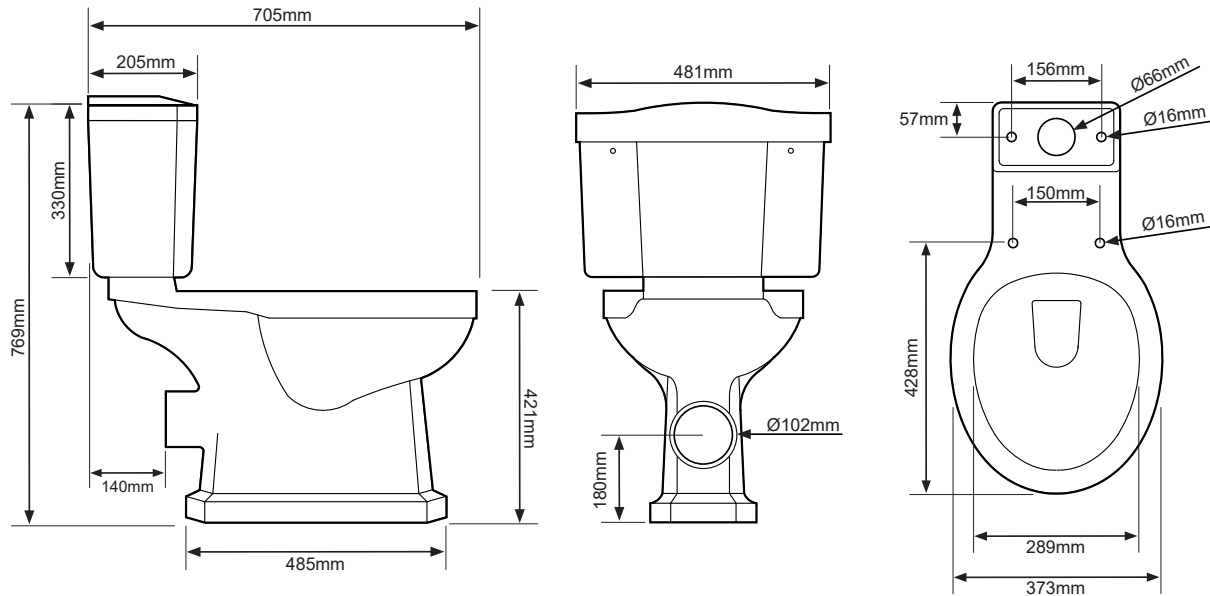
#### Roper Rhodes

Brassmill Lane Trading Estate, Bath, BA1 3JF. Technical Support – Tel: 01225 303 900 Email: sales@roperrhodes.co.uk

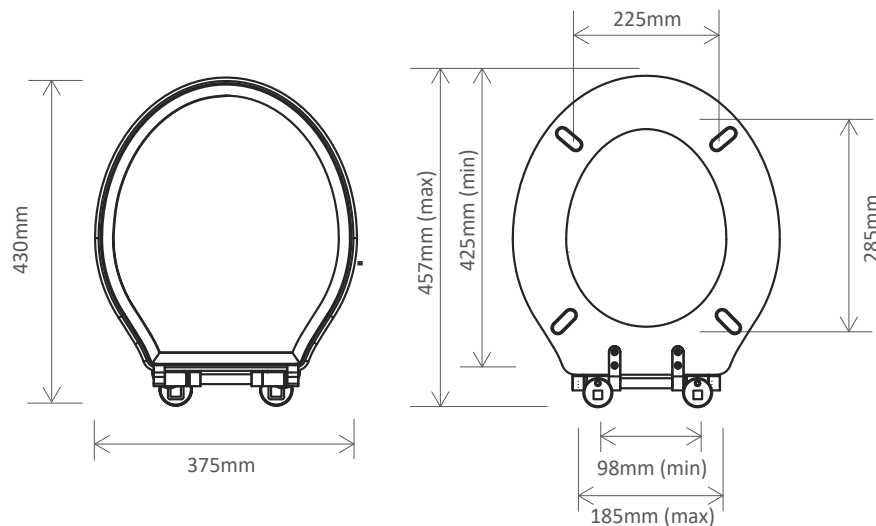
All information on the data sheet is correct at the time of publication. All measurements are approximate and subject to standard tolerances.

### Hemsworth Standard Height Open Back Close Coupled WC Suite INST02007, INST02001, INST02011

#### Pan (INST02007) + Cistern (INST02001)



#### Seat (INST02011)



#### Extra Dimensions

Seat/Lid Front to Back – 430mm  
Seat/Lid Left to Right – 375mm  
Ring Hole Front to Back – 285mm  
Ring Hole Left to Right – 225mm

Seat Overall Thickness – 57mm  
Width of Back of Seat – N/A  
Min/Max Adjustment for Fixings –  
98/185, 425/457mm

#### Spares

Floor Fixing Kit	SP14211
Close Coupled / LL Bottom Fill Cistern Fittings Kit (Pre Air Gap)	SPT125
Cable Operated Flush Valve with Telescopic Overflow (A24326 – Includes Ceramic Flush Handle)	SP19531
Rubber Flap Seal (For A24326 Flush Valve)	SP19617
Air Gap Inlet Valve (Tall)	SP19529
Rubber Diaphragm (Air Gap Inlet Valve)	SP19616
Ø90 Close Coupled Cistern Foam Gasket / Donut Washer H15	SP19535
Brass Tank Fixing Bolt Set (With M6*80mm Bolts)	SP19542

#### Roper Rhodes

Brassmill Lane Trading Estate, Bath, BA1 3JF. Technical Support – Tel: 01225 303 900 Email: sales@roperrhodes.co.uk

All information on the data sheet is correct at the time of publication. All measurements are approximate and subject to standard tolerances.

### Hemsworth Standard Height Open Back Close Coupled WC Suite INST02007, INST02001, INST02011

#### FAQs

**Q – What side is the inlet located?**

A – Right hand side.

**Q – Can this pan be used with a side connection outlet pipe?**

A – Yes.

**Q – The cistern lid won't shut/the cistern isn't working correctly?**

A – Ensure the inlet and flush valves are set to the correct heights.

**Q – What is the flush volume?**

A – 6/4L.

**Q – Is this WC rimless or box rim?**

A – Box.

**Q – Does it have an airgap?**

A – Yes.

**Q – Is the flush handle reversible?**

A – No, only right hand side.

**Q – Are there any other compatible seats?**

A – Yes, INST02012 White seat.

**Q – What's the maximum test load of the seat?**

A – 150kg.

**Q – What are the fixings made from?**

A – Chrome Plated Zinc Alloy.