

# TRADITIONAL CLOSE COUPLED WC

## Installation & care instructions

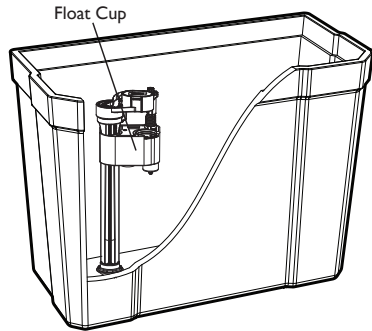
# INSTINCT®

This product must be installed by a qualified fitter or plumber in accordance with and meet the requirements of the Water Supply (Water Fittings) Regulations 1999 and Scottish Byelaws 2004

### IMPORTANT

Flush out all impurities in the cistern prior to installation.

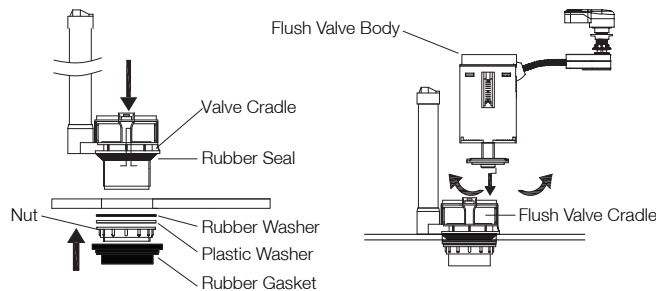
### FILL VALVE INSTALLATION



The fill valve is supplied set at a height suitable for the cistern tank. Please ensure that all connections are fully tightened before progressing.

Before assembling cistern to pan, wrap the inlet connector with PTFE tape. Ensure that the float cup has room to move freely.

### FLUSH VALVE INSTALLATION



Ensure that the Flush Valve is assembled and fully tightened as shown.

The Flush Valve Body can be easily removed if necessary. Rotate clockwise to remove. To replace align slot of body with slot in valve cradle and rotate anti-clockwise until you hear a click.

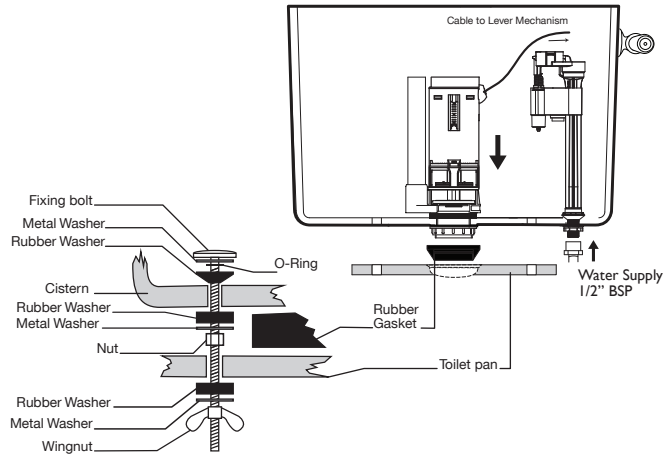
The valve is set correctly at the factory. However there are levers on the left side for full flush and on the right hand side for reduced flush operation which can be adjusted if necessary.

### INLET VALVE SPECIFICATIONS

Water Temperature: 2°C - 45°C

Water Pressure: 0.2 Bar to 8 Bar

### SECURE CISTERN TANK ONTO PAN

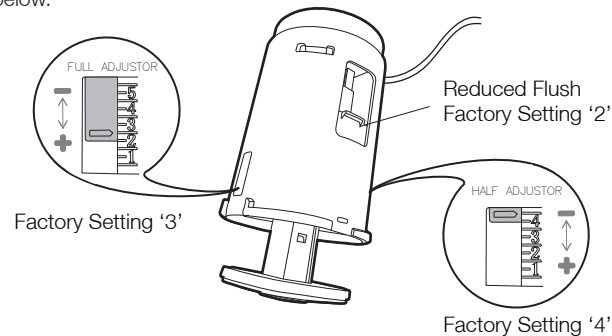


Mount the cistern to the WC pan as shown above. Ensure the gasket is firmly sealed around the flush channel. Once assembled the toilet can be positioned and installed in location. Before securing the pan to the floor, drill the holes in the wall for securing the cistern tank. After securing the pan to the floor, attach the tank to the wall using fixings suitable for the installation in hand (not supplied).

Connect the waste outlet of the pan to a suitable new waste connector. Do NOT use silicone sealant as this can impair the sealing of rubber components.

### FLUSH VALVE ADJUSTMENT

The flush valve is factory set but if adjustment is required see diagram below.



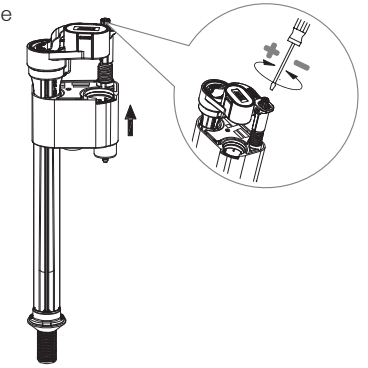
### FILL VALVE ADJUSTMENT

The fill valve is factory set but if adjustment is required follow the instructions below.

#### Fine Adjustment

Turn screw for fine adjustment of float height.

Anticlockwise to lower float.  
Clockwise to heighten float.



### HANDLE ASSEMBLY

Assemble the cistern handle through the round hole on the corner of the cistern tank as shown.

Once the handle is secured, fasten the lever mechanism housing on the end of the flush valve cable to the handle's shaft. Ensure that the splines on the shaft align with the slots in the mechanism housing. Once located, with the metal grip bracket in place, secure the lever shaft to the housing with the housing nut.

Check that the lever can move both up and down. If not undo and re-assemble, checking that the valve operates in both directions.

**Important:** Connect the water supply to the cistern using an approved double check valve to fluid category 3 in addition to an accessible service valve. Turn on the water supply and check all connections for leaks, re-tightening any connections as necessary. Ensure that the water fills to the level indicated inside the ceramic cistern. Once satisfied place the cistern lid in place.

Up = Reduced Flush  
Down = Full Flush

